

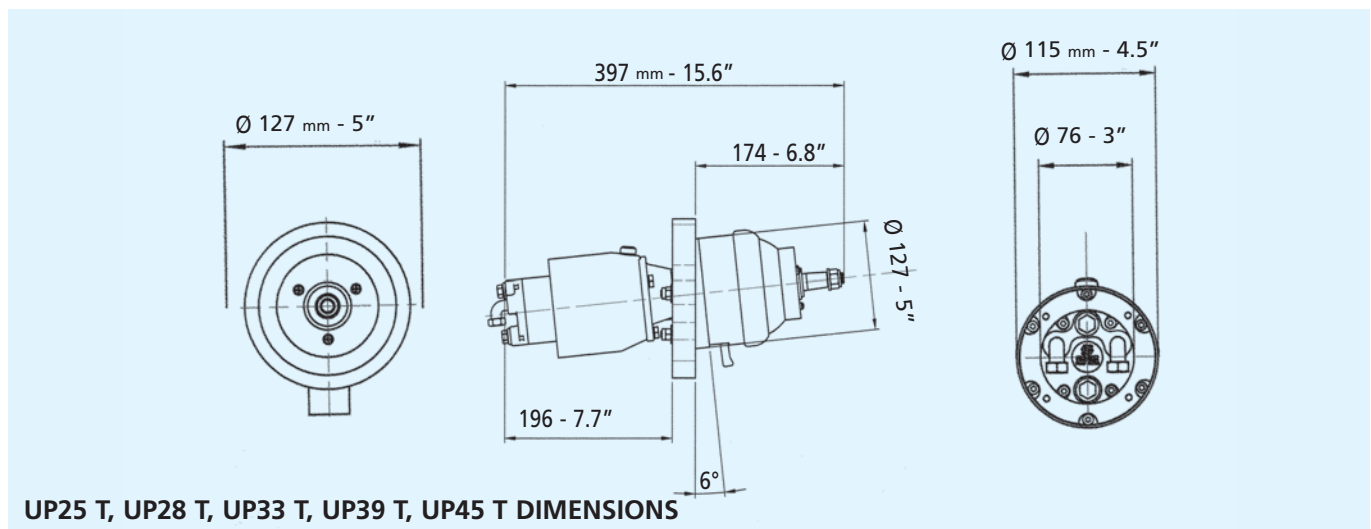
UP25 T - UP28 T - UP33 T
UP39 T - UP45 T NEW
TILT MOUNT HELM PUMPS

FEATURES

- Available in four different displacement sizes
- Compact design
- Ball bearing piston race
- Built-in lock valve for positive rudder lock
- Integral relief valve for over-pressure protection
- Stainless steel shaft
- Easily accessible lock valve and shaft seal for replacement
- Cast iron rotor for greater durability and longer life
- 1/4" NPT fitting for 3/8" tube
- Complete with elbow fittings
- **UP45 F** pumps are ideal for double cylinder applications
- Tilt mechanism:
X52 - 39250 U
 Tilt range of 48° and five locking positions
NOTE: X52 tilt mechanism fits standard Ultraflex tilt mount rotary and rack and pinion steering helms as well as standard Ultraflex tilt mount hydraulic pumps. On high performance SilverSteer™ systems use **X70-SVS** tilt mechanism
- **KIT F** (optional) - 39664 Y Remote fill adapter



MOD.	P. No.	MOUNTING	DISPLACEMENT/ REVOLUTION	No. OF PISTONS	RELIEF VALVE SETTING	MAXIMUM WHEEL DIA.	WEIGHT
UP25 T	40803 T	With X52 tilt	25 cc - 1.5 cu.in	5	70 Bar - 1000 PSI	406 mm - 16"	5 kg - 11 lbs
UP28 T	39445 K	With X52 tilt	28 cc - 1.7 cu.in	5	70 Bar - 1000 PSI	406 mm - 16"	5 kg - 11 lbs
UP33 T	39446 M	With X52 tilt	33 cc - 2.0 cu.in	7	70 Bar - 1000 PSI	406 mm - 16"	5 kg - 11 lbs
UP39 T	39447 P	With X52 tilt	39 cc - 2.4 cu.in	7	70 Bar - 1000 PSI	406 mm - 16"	5 kg - 11 lbs
UP45 T	41277 D	With X52 tilt	45 cc - 2.7 cu.in	7	70 Bar - 1000 PSI	406 mm - 16"	5 kg - 11 lbs



UP25 T, UP28 T, UP33 T, UP39 T, UP45 T DIMENSIONS