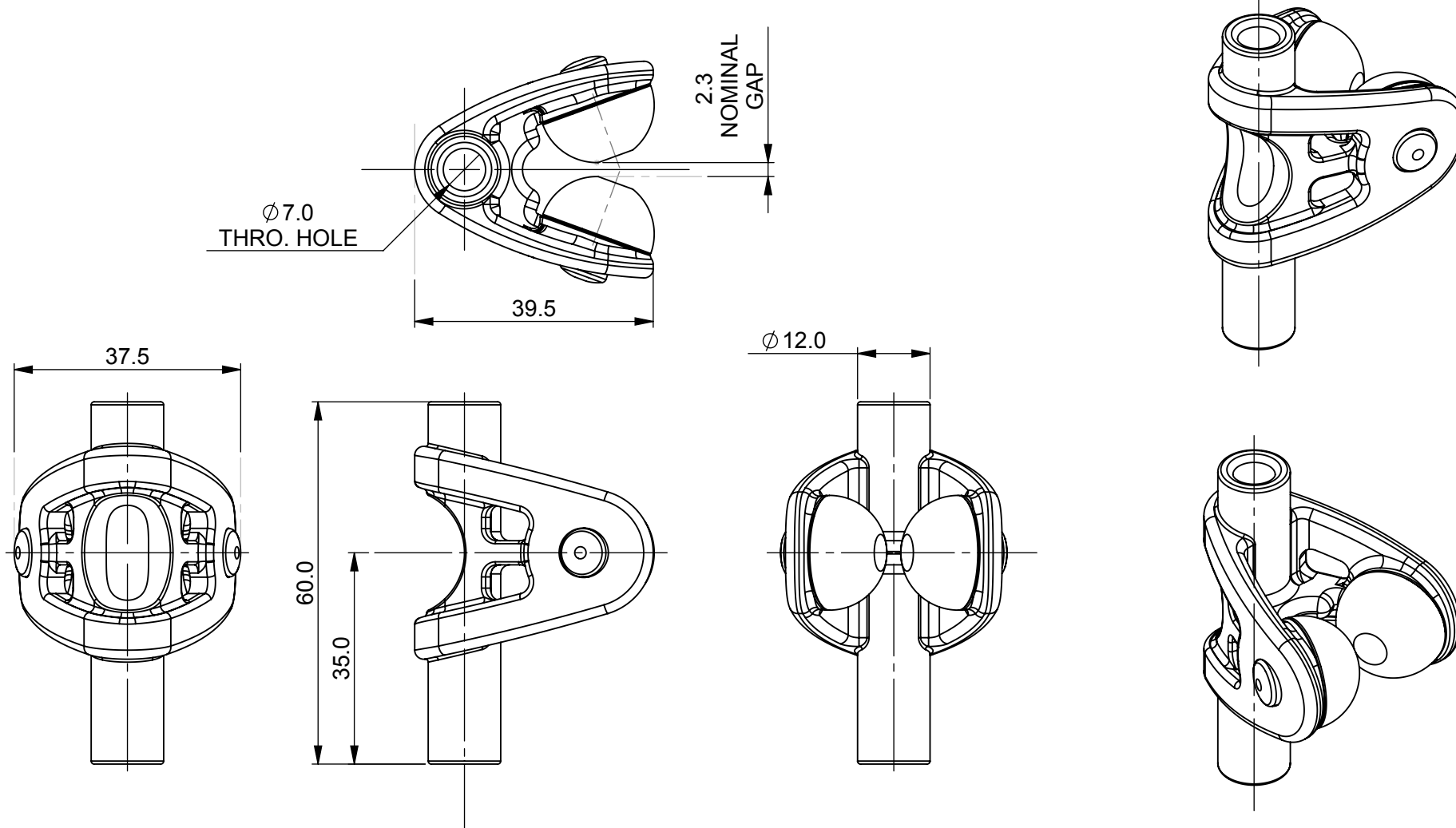


REFERENCE DRAWING ONLY - TO BE READ IN CONJUNCTION WITH 3D DATA



Part No. RF/H

1	PRODUCTION ISSUE	07/11/08			DRAWN 3RD ANGLE PROJECTION	ALL DIMS IN mm UNLESS OTHERWISE STATED	
REV	DESCRIPTION	DATE					
DRN	DATE	USED ON:			DRAWING TITLE		
NS	07/11/08	RF/H			HEADSAIL FEEDER		
F	SCALE	M/C LIMITS:	 SPINLOCK LTD 41 BIRMINGHAM ROAD COWES I.O.W. PO31 7BH TEL: +44 (0)1983 295555 FAX: +44 (0)1983295542		THIS DRAWING IS PROTECTED BY COPYRIGHT. ANY USE IS FORBIDDEN WITHOUT THE WRITTEN CONSENT OF SPINLOCK.		DRAWING NO:
A4	1:1	0.0 = +/- 0.2 0.00 = +/- 0.1					RF/H