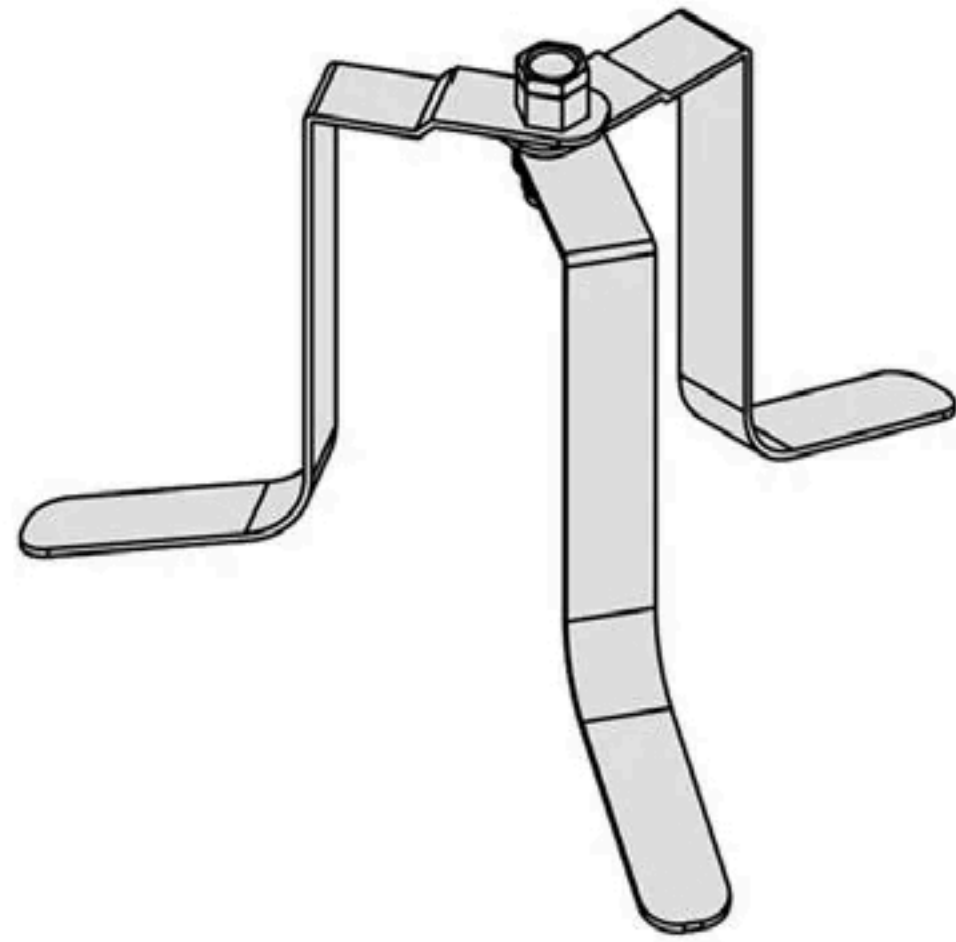
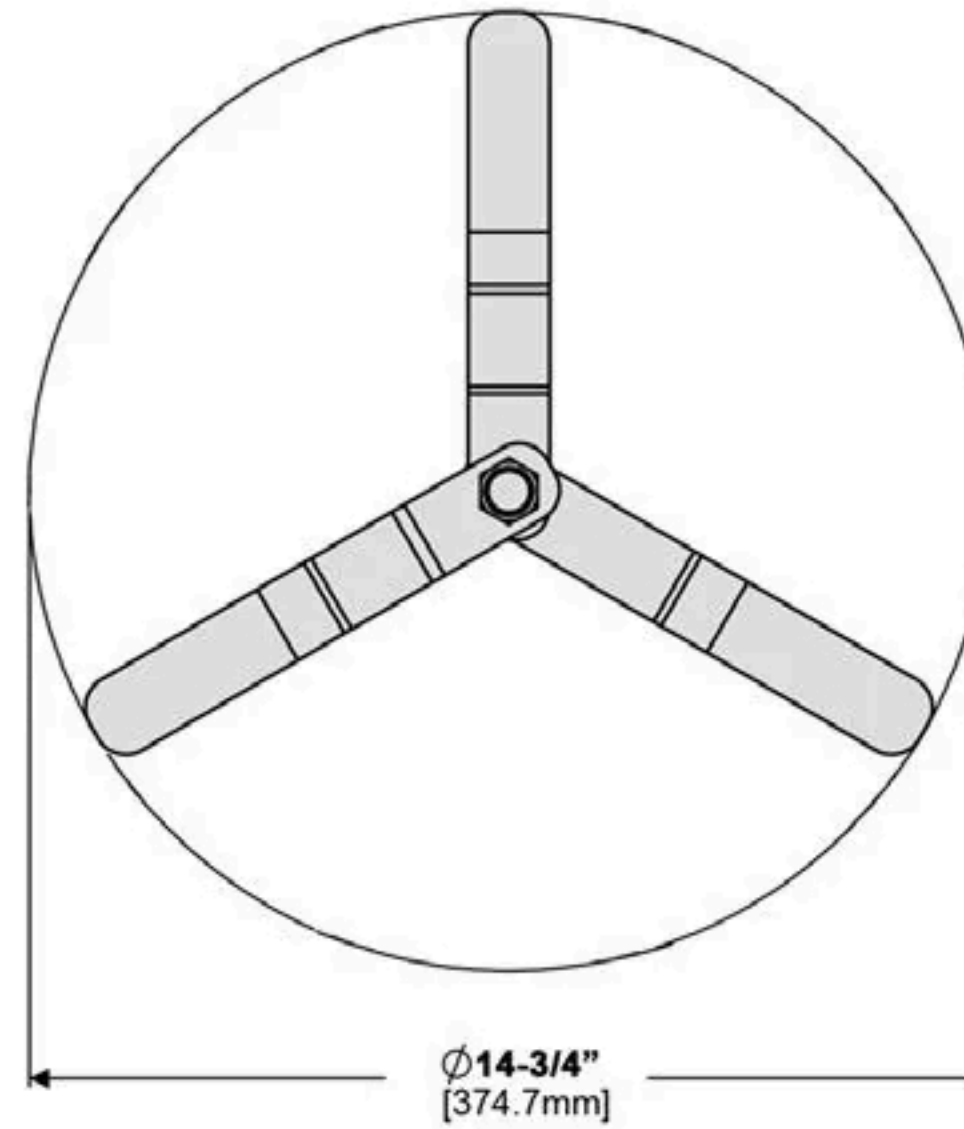


A10-650 ON-SHORE LEG STAND

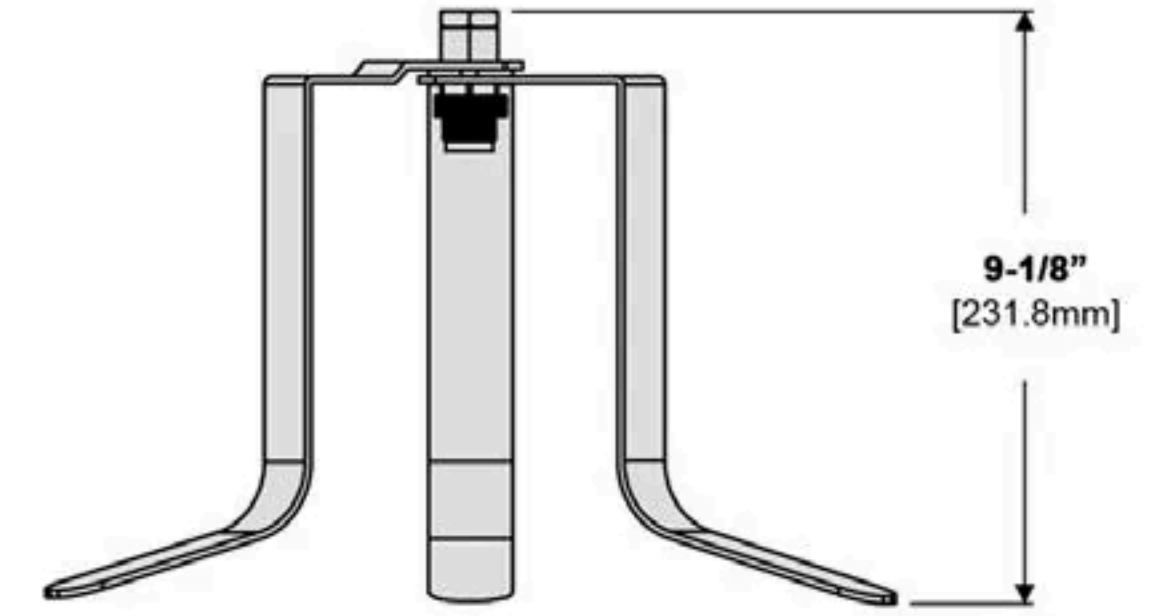
Mount Weight 1.74 lbs.
(.79 kg)



OPEN



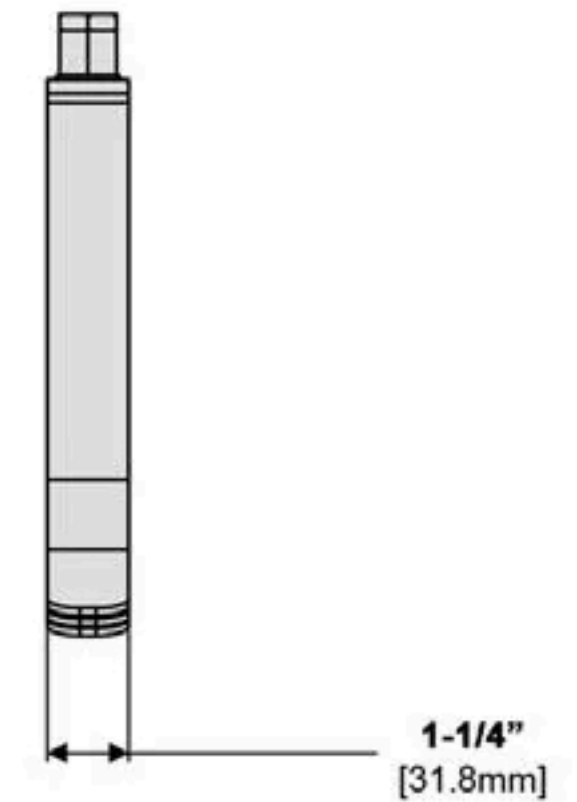
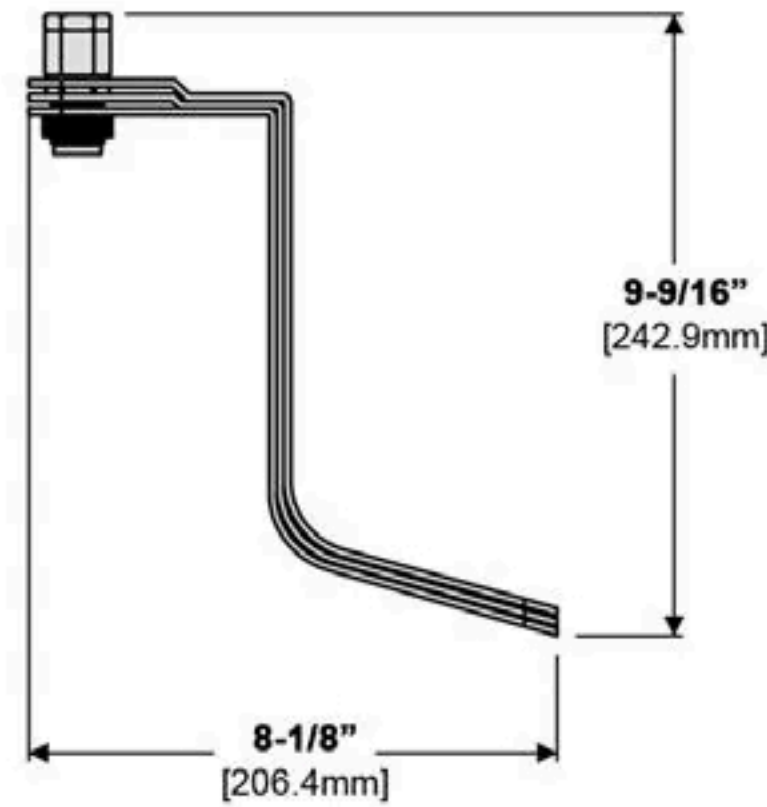
TOP VIEW



SIDE VIEW



CLOSED



MAGMA
USA

MAGMA PRODUCTS, INC.
3940 Pixie Ave. • Lakewood, CA 90712
Tel: (562) 627-0500
MagmaProducts.com
Mail@MagmaProducts.com