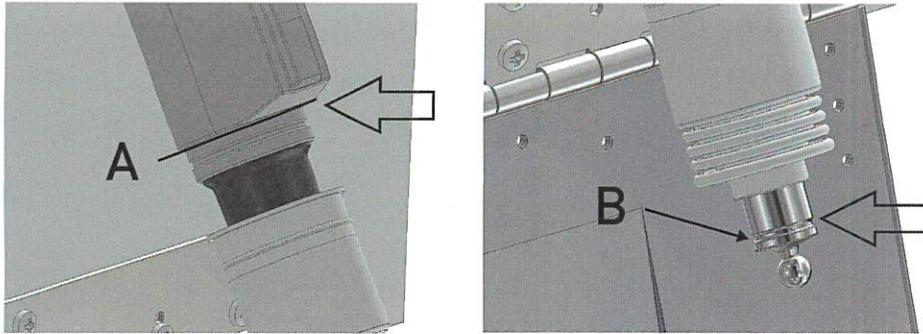


## 6 Bellows Installation



- Install the new bellows on the actuator body by making it stop against the line (A). The inner front part of the bellows has a relief that must match the groove of the actuator shaft (B).

## 7 Clamp Installation



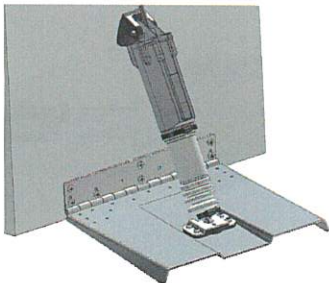
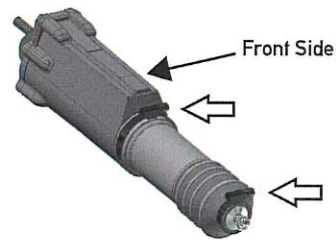
**NO!**



- When installing the new bellows, do not rotate the actuator shaft.



- Install both clamps with the lock facing the front of the actuator.



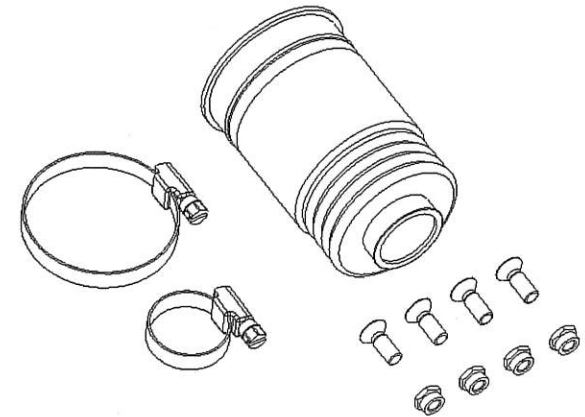
- Tighten the clamps (front and rear) on the bellows. Refit the actuator shaft to the blade bracket using the new screws included in the kit.



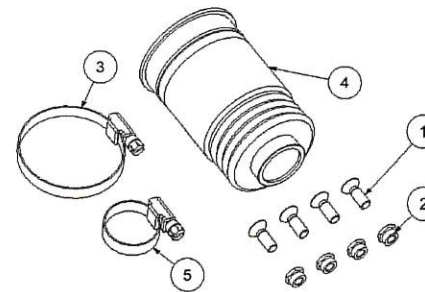
- Do not over tighten the clamps so as not to deform the bellows, but sufficiently to prevent rotation.

# Installation and Maintenance manual

## BELLOWS REPLACEMENT KIT FOR AC12 - AT12 ACTUATOR



## 1 Packaging Contents



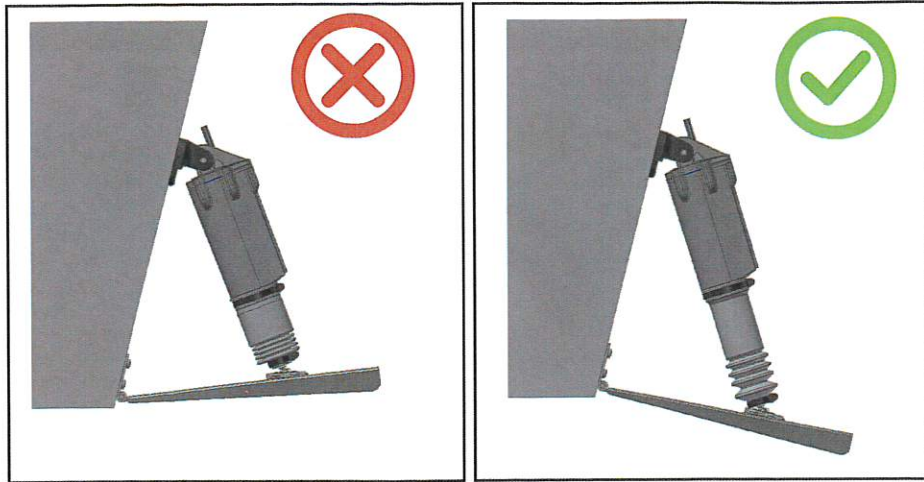
5	Front Clamp	1
4	Bellow	1
3	Rear Clamp	1
2	Selflock nut M6 ISO10511	4
1	Screw M6 x 16 ISO 7046	4
Rif.	Description	Q.ty

# W FLEX



MEMBER  
**ABYC**  
Setting Standards for Safer Boating

## 2 Actuator Position

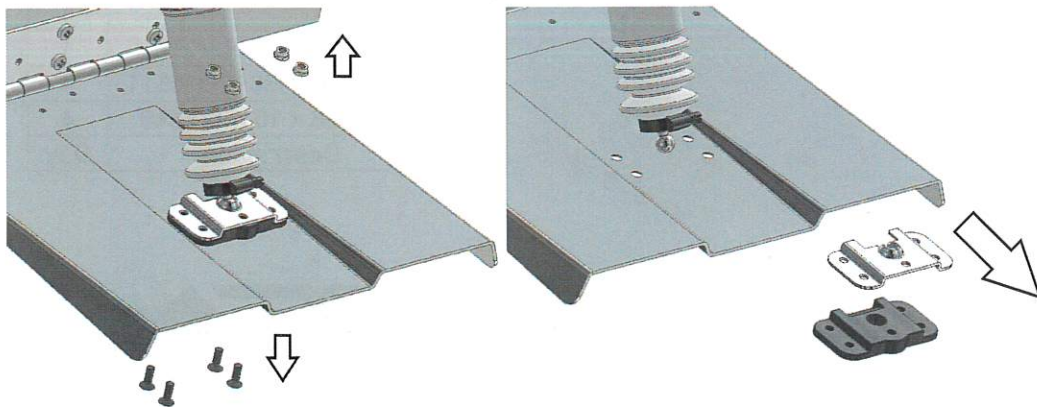


- Switch the Trim Tabs system on and bring the actuator to the fully open and stroke. The bellow must be replaced with piston fully extended.



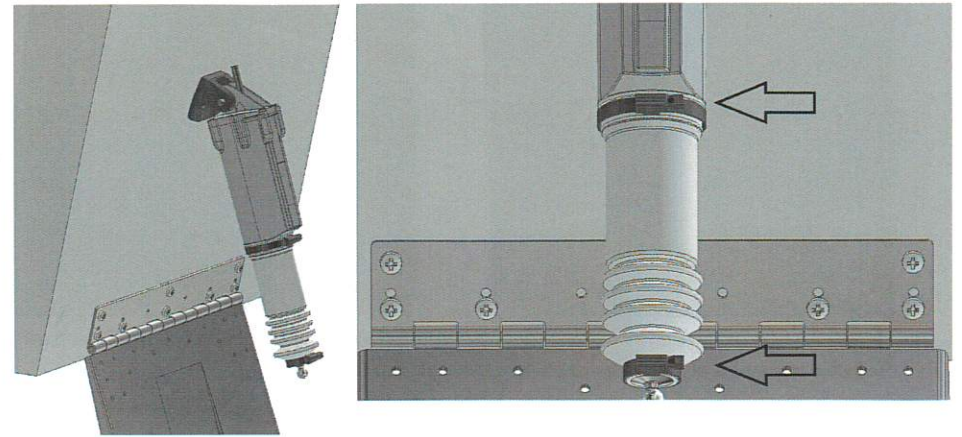
- Replacing the bellow with the piston not fully extended will compromise the bellow's function.

## 3 Fittings Disassemble



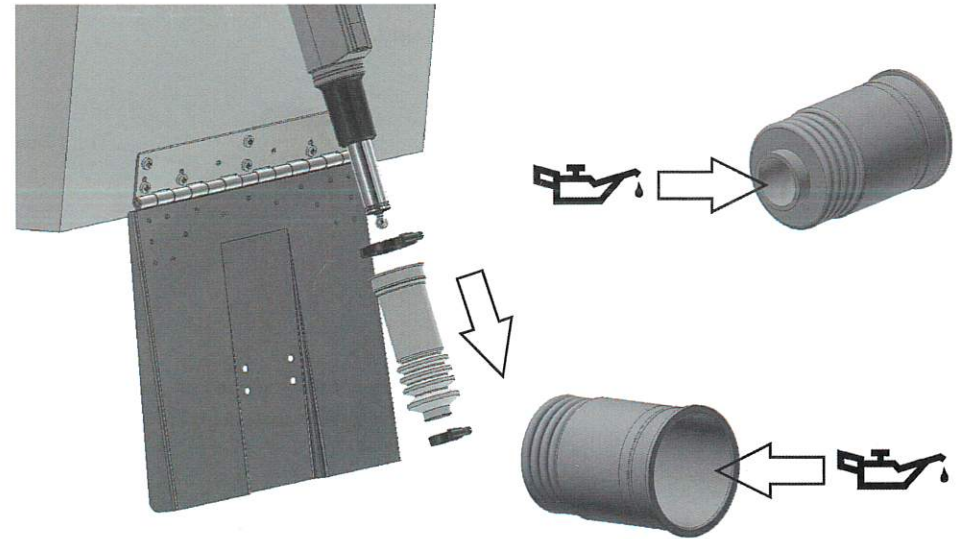
- With a Phillips screwdriver and a wrench (size 10mm) unscrew the nuts and bolts and remove the bracket.

## 4 Clap Disassemble



- With a flat tip screwdriver (or 6mm socket wrench) untighten both metal ties.

## 5 Bellow Disassemble



- Remove the clamps from the actuator body. Remove the old bellows. Lubricate the inner ends of the new bellows.