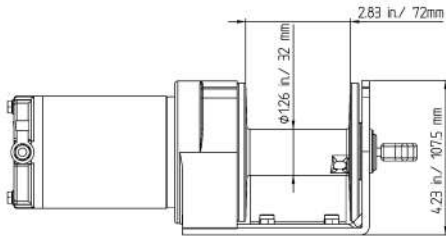
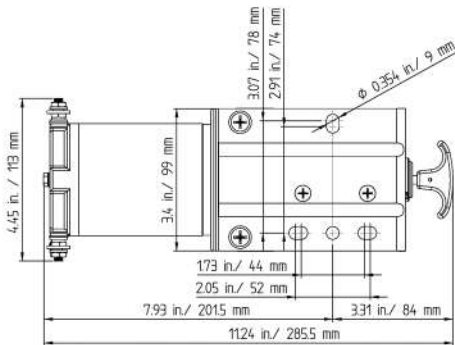


Model
RP2000



Model
REW2000SS



RP2000,REW2000SS Winch performance data (first layer of the drum)

Line pull		Line speed		Motor current (amp)
Lbs	kgs	Ft/min	m/min	
0	0	14.0	4.3	14
1000	454	9.0	2.7	60
1500	680	7.5	2.3	90
2000	908	5.9	1.8	115

Layer	Line pull by layer		Cable Capacity	
	lbs	kgs	ft	m
1	2000	908	6	1.8
2	1636	740	13	4.0
3	1385	625	22	6.7
4	1200	540	33	10.0
5	1059	480	44	13.4
6	947	426	50	15.2

Specifications

	RP2000-E16P02	REW2000SS-E16P05
Rated line pull	2000 lbs (907 kgs), single line	
Motor(permanent magnet)	12V DC input power: 1.9Hp(1.4kw)	
Gear Ratio	153:1	
Gear train	2-stage planetary	
Brake	Automatic load-holding brake	
Power in and power out	Yes	
Free Spooling	Yes	
Drum	Ø1.26"x2.8"(Ø32mmx72mm)	
Drum material	Aluminum	Stainless steel
Rope material	Steel cable	Stainless steel cable
Rope dia. & length	Ø5/32"x50'(Ø4mmx15m)	
Hook(with safety latch)	3/16"	3/16" stainless steel
Winch dimension	11.25"x4.5"x4.23" (285.5mmX113mmX107.5mm)	12.6"x4.13"x4.36" (320mmX105mmX110.5mm)
Mounting bolt pattern	1.89"x3"	
IP rating	IP67	
N.W.(kgs)	6.5	6.6