

FURLEX 100S

FURLEX

Jib furling and reefing system for yachts up to approx. 30 ft

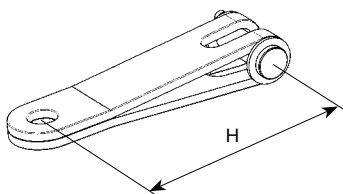


Furlex 100S

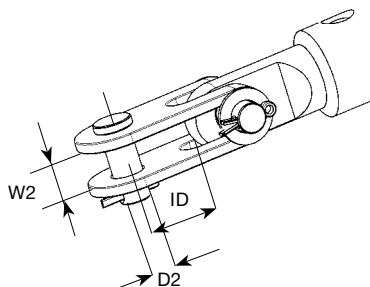
- Centred and insulated forestay and completely insulated joining sleeves make furling easier, reduce wear and cut out the risk of corrosion.
- Unique, patented load-distributor for easy furling and unrivalled bearing durability. Lightweight halyard swivel keeps weight aloft to a minimum.
- Sailfeeder in high grade, marine stainless steel for improved durability and service life. Composite connector for the optimum strength-to-weight ratio.
- Tack swivel with a free-turn, combined with the uniform profile of the forestay extrusion, give a perfectly furled sail and effective performance even when reefed. Twin grooves and split drum – allow for fast sail changes and make Furlex easily adapted for racing.
- Unique line-guide system – controls and centres furling line and arranges it evenly onto the drum.

The Furlex 100S has no internal rigging screw. However, an optional external rigging screw for the 100S model (6 mm wire), for mounting under the drum, is available.

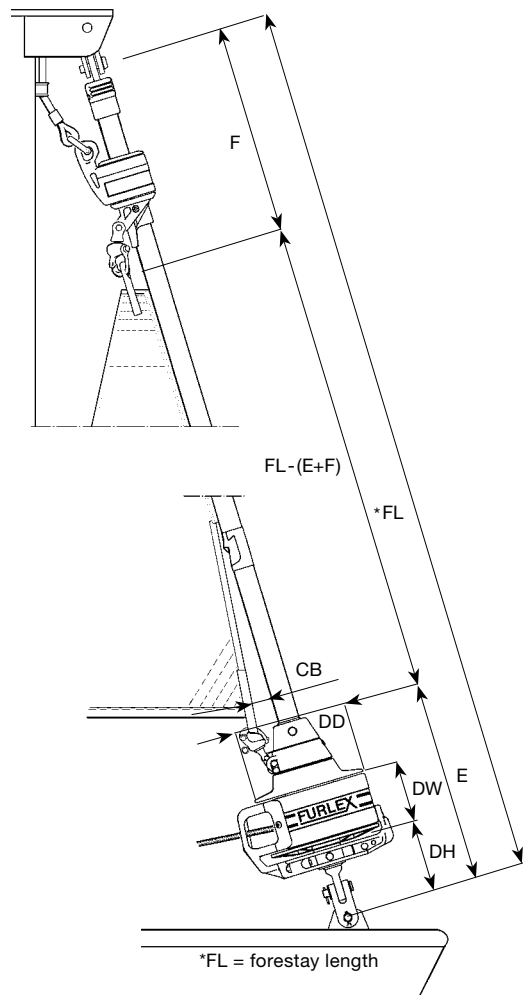
Forestay dia. (mm)	Max righting moment (kNm) att 30° heel		Approx. displacement, tonnes		DH mm	DW mm	DD mm	CB mm	E mm	F mm	ID mm	W2 mm	D2 Clevis pin	Forestay adjustment dia., mm	Extension link H mm	Halyard sheave box Art. No.
	Masthead rig	Fractional rig	Masthead rig	Fractional rig												
4	6.5	8	1.4	1.7	100	80	152	60	280	360	17	8.5	8	-	-	505-004-10
5	10	14.5	2.1	3	100	80	152	60	280	360	19	11	10	-	-	505-004-10
6	17	22	3.5	4	100	80	152	60	280	360	24	11	10	50	90	505-006-10



Extension link: Used to increase the distance between the lower unit and the deck for a bow anchor etc.

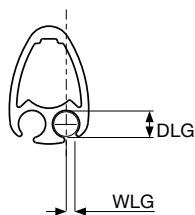


Furlex standard toggle.



Forestay dia., mm	Max. forestay dia., m	Art. No. Standard version
4	8.1	027-019-51
4	10.5	027-019-52
5	8.1	027-019-53
5	10.5	027-019-54
5	12.9	027-019-55
6	10.5	027-019-56
6	12.9	027-019-57

Internal diameter of luff groove (DLG), ø mm	Width of luff groove (WLG), mm
6.0	3.0



Seldén and Furlex are registered trademarks of Seldén Mast AB
 Seldén Mast AB, Sweden Tel +46 (0)31 69 69 00. Fax +46 (0)31 29 71 37. e-mail info@seldenmast.com
 Seldén Mast Limited, UK Tel +44 (0)1329 50 40 00. Fax +44 (0)1329 50 40 49. e-mail info@seldenmast.co.uk
 Seldén Mast Inc., USA Tel +1 843-760-6278. Fax +1 843-760-1220. e-mail info@seldenus.com
 Seldén Mast A/S, Denmark Tel +45 39 18 44 00. Fax +45 39 27 17 00. e-mail info@seldenmast.dk
 Seldén Mid Europe B.V., Netherlands Tel +31 (0) 111-698 120. Fax +31 (0) 111-698 130. e-mail info@seldenmast.nl
 Seldén Mast SAS, France Tel +33 (0) 251 362 110. Fax +33 (0) 251 362 185. e-mail info@seldenmast.fr
 www.seldenmast.com

 **SELDÉN**
for sailing