

FURLEX 50S

jib furling system for boats 18-26 ft

The Furlex 50S is the perfect choice for every sailor who wants a compact, low weight furling and reefing system. It shares many features with the larger members of the world-famous Furlex family. The patented load distributor in the halyard swivel and the full length distance tubes for smooth rotation are the same as on all the other Furlex models. Furlex 50S is supplied as a complete kit including forestay wire, halyard lead, stanchion block, pre-feeder and furling line. Easy to order and easy to install.

Uniform cross-section of extrusion from head to tack for better performance of a reefed sail

Single groove extrusion for 5 mm luff tape

Firm, reliable fit

FURLEX

Stainless steel reinforcement in moulding

High quality, glass fibre/polyamide composite

Stainless steel insert for low friction line management

Sta-lok® wire terminal for easy installation

Stainless steel reinforcement in moulding

Ball bearings and ball bearing rings in marine grade stainless steel

Dyneema® lashing

Patented load distributor for easy furling and long service life

Fork/fork toggle for proper forestay articulation

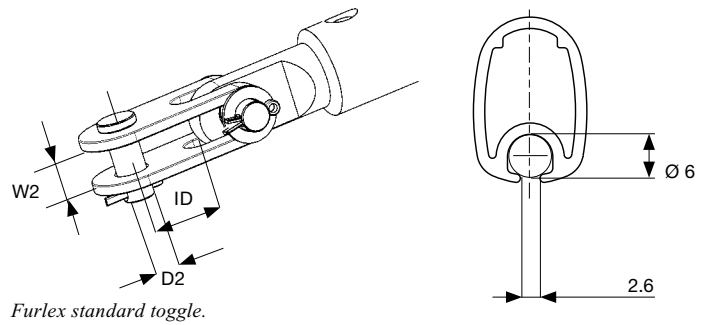
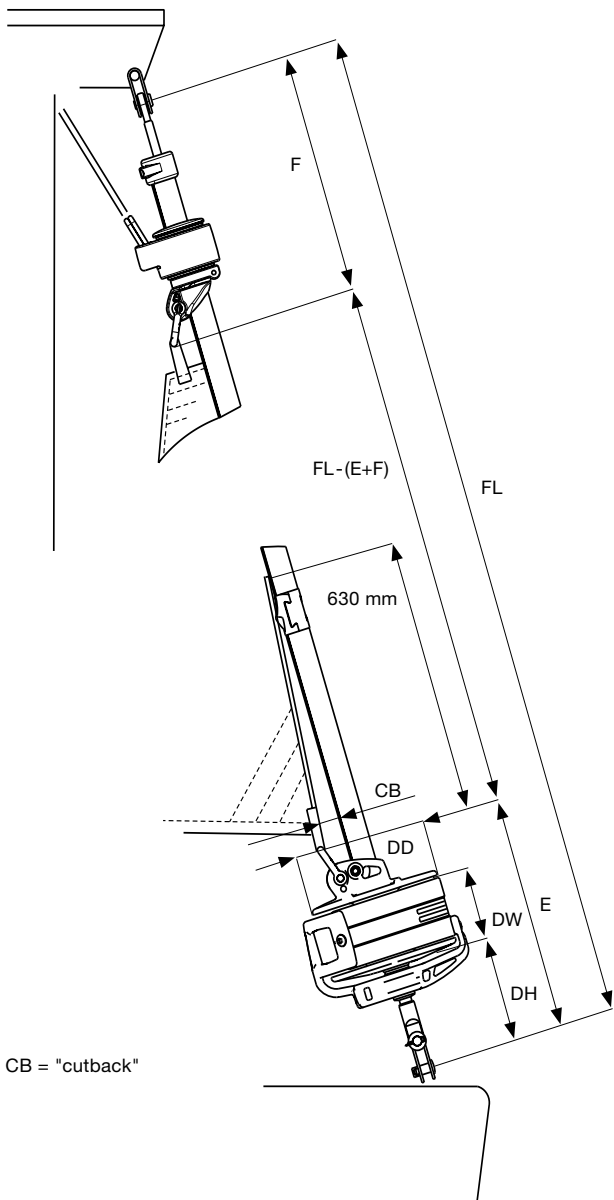
Stainless steel sail feeder for smooth hoisting of sail

Composite sail feeder connector



Halyard swivel in composite with stainless steel reinforcement. Low weight (230 g). Low friction due to the load distributor.

 **SELDÉN**
for sailing



Furlex 50S detailed information

| Forestay dia. mm | Max righting moment (kNm) at 30° heel | | Approx. displacement, tonnes | | DH mm | DW mm | DD mm | CB mm | E mm | F mm | ID mm | W2 mm | D2 Clevis pin mm Ø | Halyard sheave box Art. No. |
|------------------|---------------------------------------|----------------|------------------------------|----------------|-------|-------|-------|-------|------|------|-------|-------|--------------------|-----------------------------|
| | Masthead rig | Fractional rig | Masthead rig | Fractional rig | | | | | | | | | | |
| 4 | 6.5 | 8 | 1.4 | 1.7 | 100 | 60 | 120 | 25 | 215 | 360 | 17 | 8.5 | 8 | 505-004-10 |
| 5 | 8.5 | 11 | 1.8 | 2.5 | 100 | 60 | 120 | 25 | 215 | 360 | 19 | 11 | 10 | 505-004-10 |

| Forestay dia. mm | Max. forestay length, m | Weight kg | Furlex system Art. No. |
|------------------|-------------------------|-----------|------------------------|
| 4 | 7.7 | 7.4 | 022-015-51 |
| 4 | 10.1 | 8.1 | 022-015-52 |
| 5 | 7.7 | 7.9 | 022-015-53 |
| 5 | 10.1 | 8.6 | 022-015-54 |
| 5 | 12.5 | 9.7 | 022-015-55 |

Seldén Mast AB, Sweden Tel +46 (0)31 69 69 00. Fax +46 (0)31 29 71 37. e-mail info@seldenmast.com
 Seldén Mast Limited, UK Tel +44 (0)1329 50 40 00. Fax +44 (0)1329 50 40 49. e-mail info@seldenmast.co.uk
 Seldén Mast Inc., USA Tel +1 843-760-6278. Fax +1 843-760-1220. e-mail info@seldenus.com
 Seldén Mast A/S, Denmark Tel +45 39 18 44 00. Fax +45 39 27 17 00. e-mail info@seldenmast.dk
 Seldén Mid Europe B.V., Netherlands Tel +31 (0) 111-698 120. Fax +31 (0) 111-698 130. e-mail info@seldenmast.nl
 Seldén Mast, France Tel +33 (0) 251 362 110. Fax +33 (0) 251 362 185. e-mail info@seldenmast.fr
 www.seldenmast.com

 **SELDÉN**
for sailing