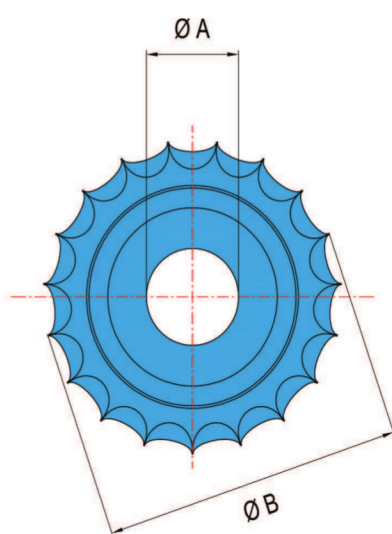


TOR \approx **MARINE**

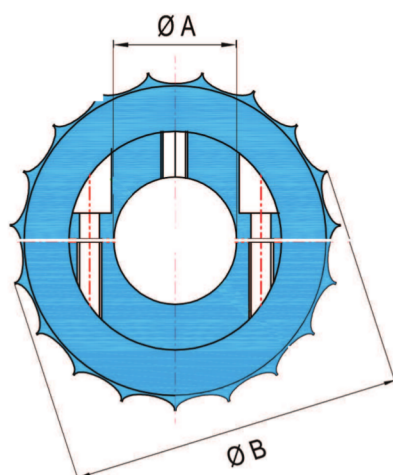
Taglia cime intero e a morsetto Rope cutter and clamp type

Materiale: Acciaio Inox - **Material:** Stainless steel



Cod.	ØA Asse mm ØA Shaft mm	ØB Esterno ØB External mm	Spessore mm Thickness mm
5225080	25	80	17
5225480	1" = 25,40		
5230080	30		
5231780	1"1/4 = 31,75	100	
5235100	35		
5238100	1"1/2 = 38,10		
5240100	40	120	
5244120	1"3/4 = 44,45		
5245120	45		
5250120	50		
5251120	2" = 50,80		

Modello a morsetto Clamp type



Cod.	ØA Asse mm ØA Shaft mm	ØB Esterno ØB External mm	Spessore mm Thickness mm
5225080T	25	80	22
5225480T	1" = 25,40		
5230080T	30		
5231780T	1"1/4 = 31,75	100	
5235100T	35		
5238100T	1"1/2 = 38,10		
5240100T	40	120	
5244120T	1"3/4 = 44,45		
5245120T	45		
5250120T	50		
5251120T	2" = 50,80		
5255150T	55	150	26
5257150T	2"1/4 = 57,15		
5260150T	60		
5263150T	2"1/2 = 63,50		

Su richiesta possiamo fornire taglia cime a morsetto per diametri asse superiori al Ø 63,50.

On request we can offer rope cutter clamp for diameter shaft higher Ø 63,50.