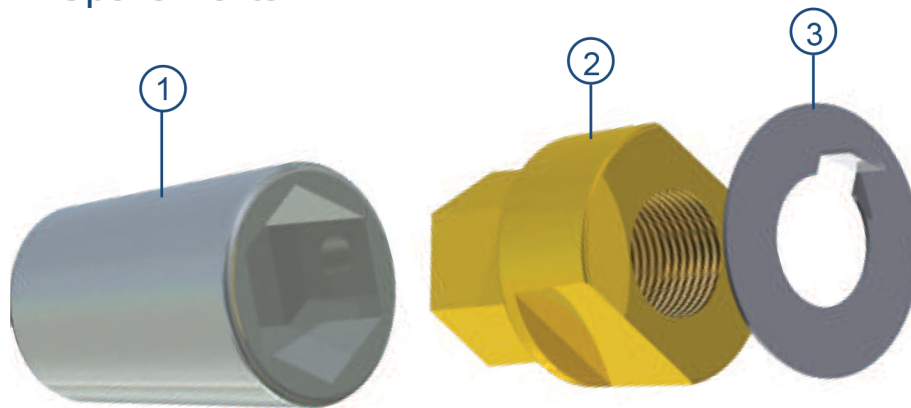


TOR  **MARINE**

Ogive bimetalliche esagonali Bimetallic noses hexagonal type

Ricambi - Spare Parts



1. Anodo in zinco
Zinc anode

2. Corpo esagonale in ottone
Hexagonal brass part

3. Rondella di sicurezza
Washer

Cod.	Ø Asse mm Ø Shaft mm
4925000	25
4930000	30
4935000	35
4940000	40
4945000	45
4950000	50
4955000	55
4960000	60 - 65 - 70 - 75
4910000	80 - 85 - 90 - 100

Cod.	Ø Asse mm Ø Shaft mm	Possibilità passo Pitch chance
OGIES25XX	25	16x1,5 - 18x1,5 - 20x1,5
OGIES30XX	30	18x1,5 - 20x1,5
OGIES35XX	35	20x1,5 - 24x2,0
OGIES40XX	40	24x1,5 - 24x2,0
OGIES45XX	45	27x1,5 - 33x2,0
OGIES50XX	50	27x1,5 - 36x3,0
OGIES55XX	55	40x3,0
OGIES60XX	60	34x2,0 - 42x3,0 - 45x3,0
OGIES65XX	65	45x3,0
OGIES70XX	70	
OGIES75XX	75	
OGIES80XX	80	56x3,0 - 56x4,0
OGIES85XX	85	
OGIES90XX	90	64x3,0 - 64x4,0

Cod.	Ø Asse mm Ø Shaft mm
5125180	25
5130200	30
5135240	35
5140240	40
5145330	45
5150360	50
5155400	55
5160450	60
5165450	65
5170450	70
5175450	75
5180560	80
5185560	85
5190640	90

E' possibile fornire corpi esagonali o cilindrici con filetti speciali o con foro pilota ed anodi in magnesio o alluminio.
It's possible to supply hexagonal or cylindrical parts customized threaded or pilote bore and manganese or aluminium anodes.