

**MALE HOSE CONNECTOR
"EXTRA" PATTERN - BRASS**



Fig. 1

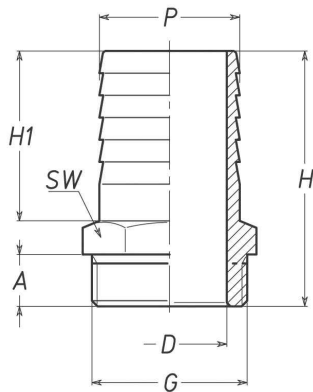


Fig. 2

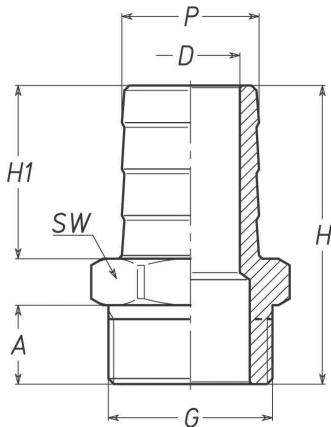
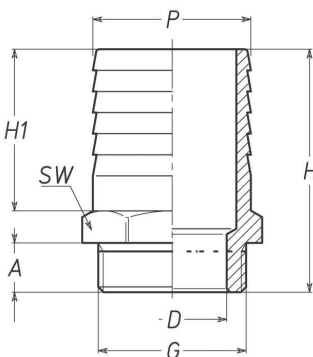


Fig. 3



THREAD:

G = ISO 228/1 (BS 2779)

Fig.	2	1	2	2	2	1	2	2	2	2	2	2	2	2
Weight(gr)	8	10	12	14	19	20	22	25	28	30	32	40	44	46
SW	13	13	16	16	16	16	19	19	19	19	23	23	23	23
H	32	32	32	32	40	40	42	42	42	42	44	50	50	50
H1	17	17	17	17	24	24	25	25	25	25	25	31	31	31
A	8	8	8	8	9	9	10	10	10	10	12	12	12	12
D	4	6	4	6	7	8.5	5	7	9	11	7	8.5	10	12
P	6	8	6	8	10	12	8	10	13	15	10	12	14	16
G	1/8"	1/8"	1/4"	1/4"	1/4"	1/4"	3/8"	3/8"	3/8"	3/8"	3/8"	1/2"	1/2"	1/2"

Fig.	2	1	1	2	2	2	2	2	1	3	2	2	2	1
Weight(gr)	48	50	65	50	65	80	85	86	100	95	115	130	130	130
SW	23	23	23	30	30	30	30	30	30	28	36	36	35	36
H	50	50	50	43	50	55	55	55	56	55	57	59	58	59
H1	31	31	31	24	31	35	35	35	37	37	35	37	37	37
A	12	12	12	12	12	12	12	12	12	12	13	13	13	13
D	15	16	16	10	12	14	15	17	19	19	15	19	22	24
P	19	20	22	13	16	19	20	22	25	28	20	25	28	30
G	1/2"	1/2"	1/2"	3/4"	3/4"	3/4"	3/4"	3/4"	3/4"	3/4"	1"	1"	1"	1"

Fig.	3	3	2	2	2	2	2	1	3	2	2	2	2	3
Weight(gr)	140	140	175	175	186	182	205	195	210	255	260	265	275	300
SW	36	36	45	45	45	45	45	45	45	53	53	53	53	53
H	62	63	65	65	65	65	65	65	64	74	74	74	74	74
H1	41	41	42	42	42	42	42	42	42	48	48	48	48	48
A	13	13	14	14	14	14	14	14	14	16	16	16	16	16
D	25	25	24	26	29	32	33	34	34	32	33	34	39	40
P	32	35	30	32	35	38	39	40	45	38	39	40	45	50
G	1"	1"	1 1/4"	1 1/4"	1 1/4"	1 1/4"	1 1/4"	1 1/4"	1 1/4"	1 1/2"	1 1/2"	1 1/2"	1 1/2"	1 1/2"

Fig.	2	2	2	3	2	2	1	2	2	3	2	1	2
Weight(gr)	340	400	410	450	540	550	610	850	910	1000	1600	2120	3000
SW	65	65	65	65	80	80	80	82	95	95	123	123	150
H	73	78	78	78	82	82	86	95	102	105	115	125	138
H1	47	50	52	52	53	53	57	61	72	76	76	90	98
A	16	16	16	16	17	17	17	18	19	19	21	21	25
D	39	43	45	51	53	56	62	67	71	77	92	99	113
P	45	50	52	60	60	63	70	76	80	90	100	110	125
G	2"	2"	2"	2"	2 1/2"	2 1/2"	2 1/2"	3"	3"	3"	4"	4"	5"