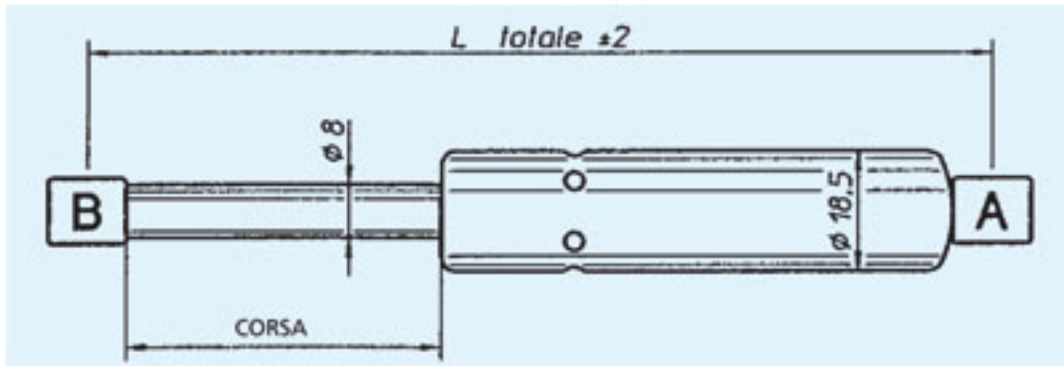


# BLACK FINISH GAS SPRING



MODEL	TOTAL LENGTH mm	STROKE mm	OUTPUT FORCE Kg	ROD DIA. mm	END FITTING		OEM PACKAGING P.No	AFTERMARKET PACKAGING P.No.
					SIDE A TYPE	SIDE B TYPE		
U140-10	365	142	10	8	1	1	64315 N	64415 T

**NOTE:** The total length is measured from center pivot line to end fitting at fully extended spring.