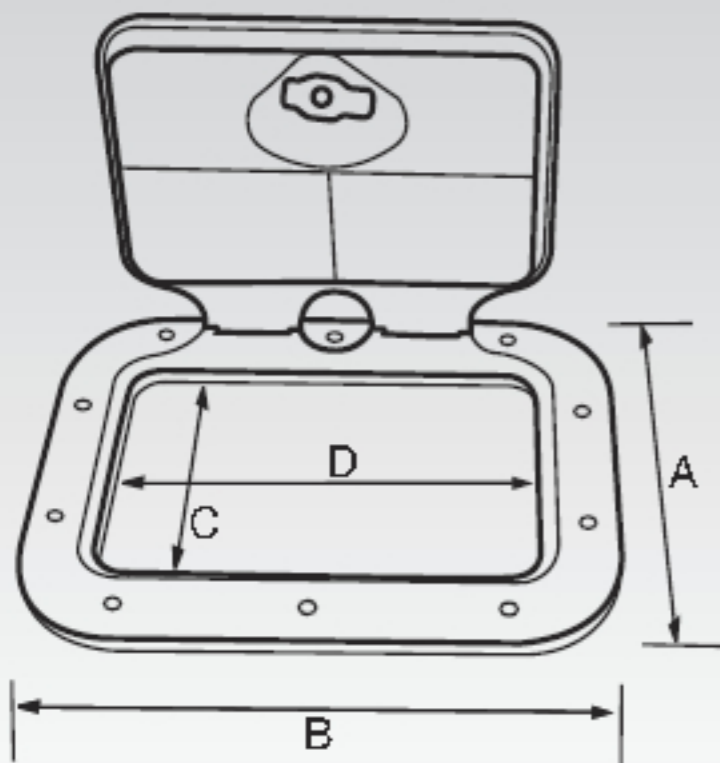


| | A | B | C | D | N | I |
|--------|-----------------------------------|-------------------------------------|-----|------|------------------------------------|-----------------------------------|
| mm | 275 | 375 | 180 | 280 | 198 | 298 |
| inches | (10 ⁷ / ₈ " | (14 ¹³ / ₁₆ " | (7" | (11" | (7 ¹³ / ₁₆ " | (11 ³ / ₄ " |



196567

196577

196586

- I** Sportello rettangolare piccolo.
- GB** Small access hatch.
- F** Petite trappe d'accès.
- D** Zugangsklappe.
- E** Portillo rectangular pequeño.