



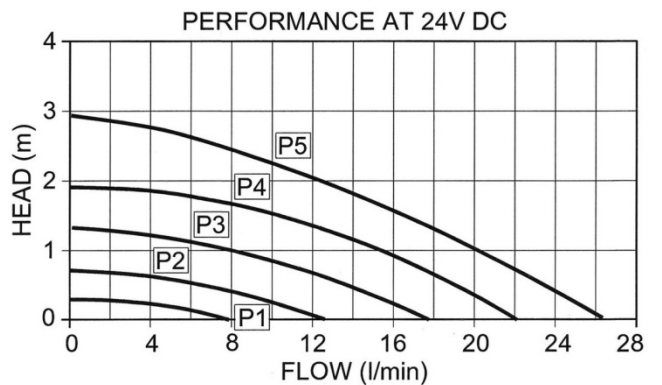
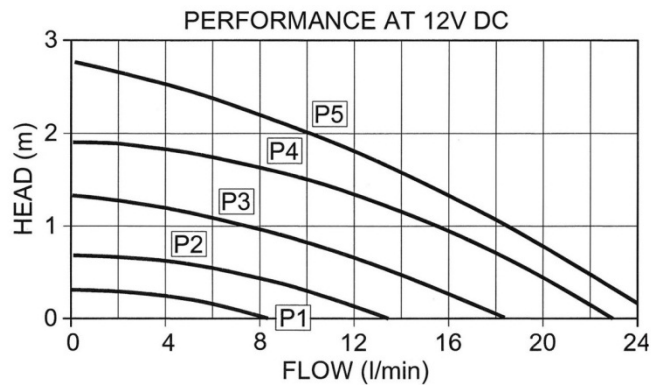
d.c. Pump 59520-0000B

a xylem brand

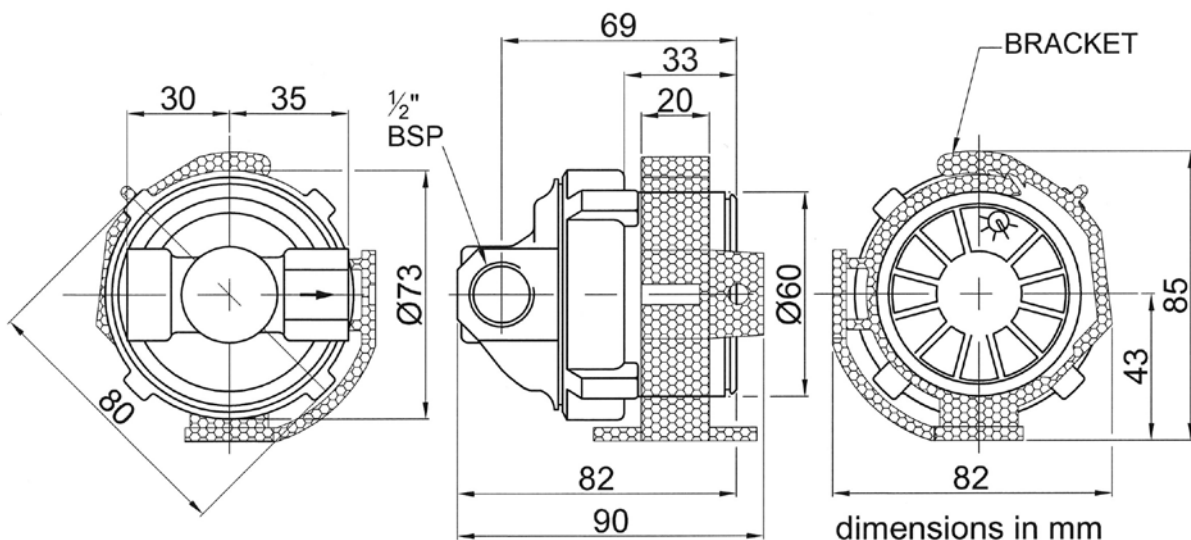


Non-self-priming for Circulating Systems

- ◆ Long life 'brush-less' DC motor with sealess magnetic drive pump. (No shaft seal to leak)
- ◆ Up to 30,000 hours life
- ◆ Voltage range 8 to 24v dc
- ◆ Adjustable power consumption - high efficiency (0.25 to 1.7amp)
- ◆ Variable flow - 5 settings
- ◆ Non-corroding materials
- ◆ Temperatures up to 80°C
- ◆ Suitable for hot water systems and glycol mixtures
- ◆ Operates in system pressures up to 10 bar
- ◆ Non-self-priming requires flooded suction
- ◆ Not suitable for seawater
- ◆ Weight: 0.65Kg



DIAL SETTINGS P1, P2, P3, P4, P5



Xylem Water Solutions UK Ltd
 Bingley Road • Hoddesdon • Hertfordshire • EN11 0BU • UK
 Telephone: +44 (0)1462 480380 Fax: +44 (0)1462 482422
 mail@cleghorn.co.uk www.jabscoshop.com