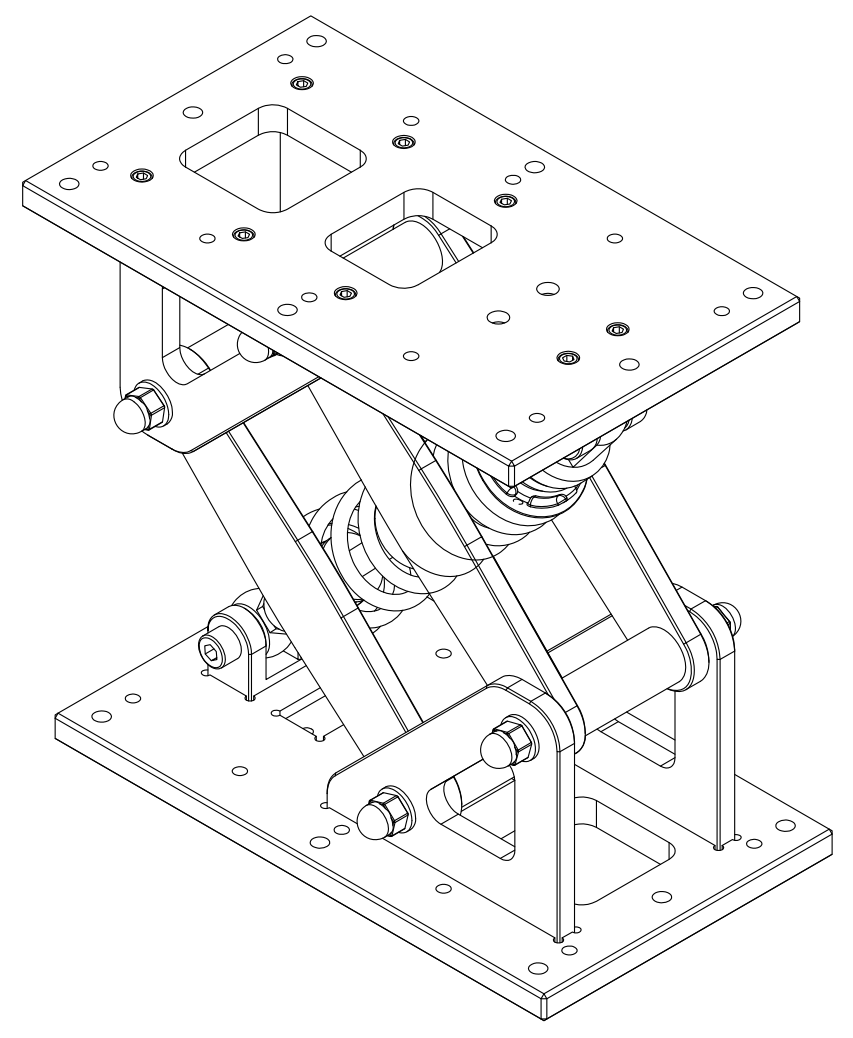
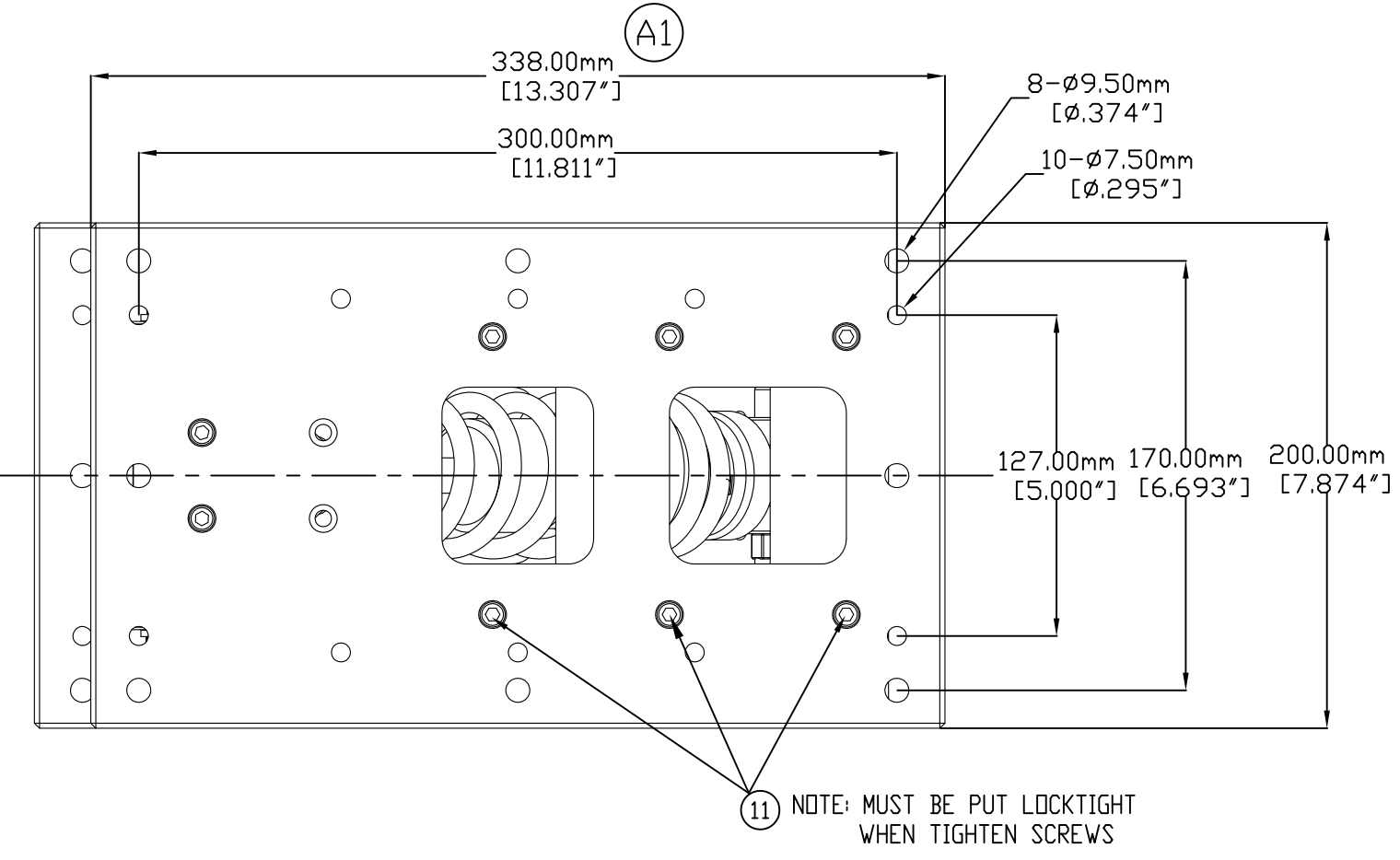
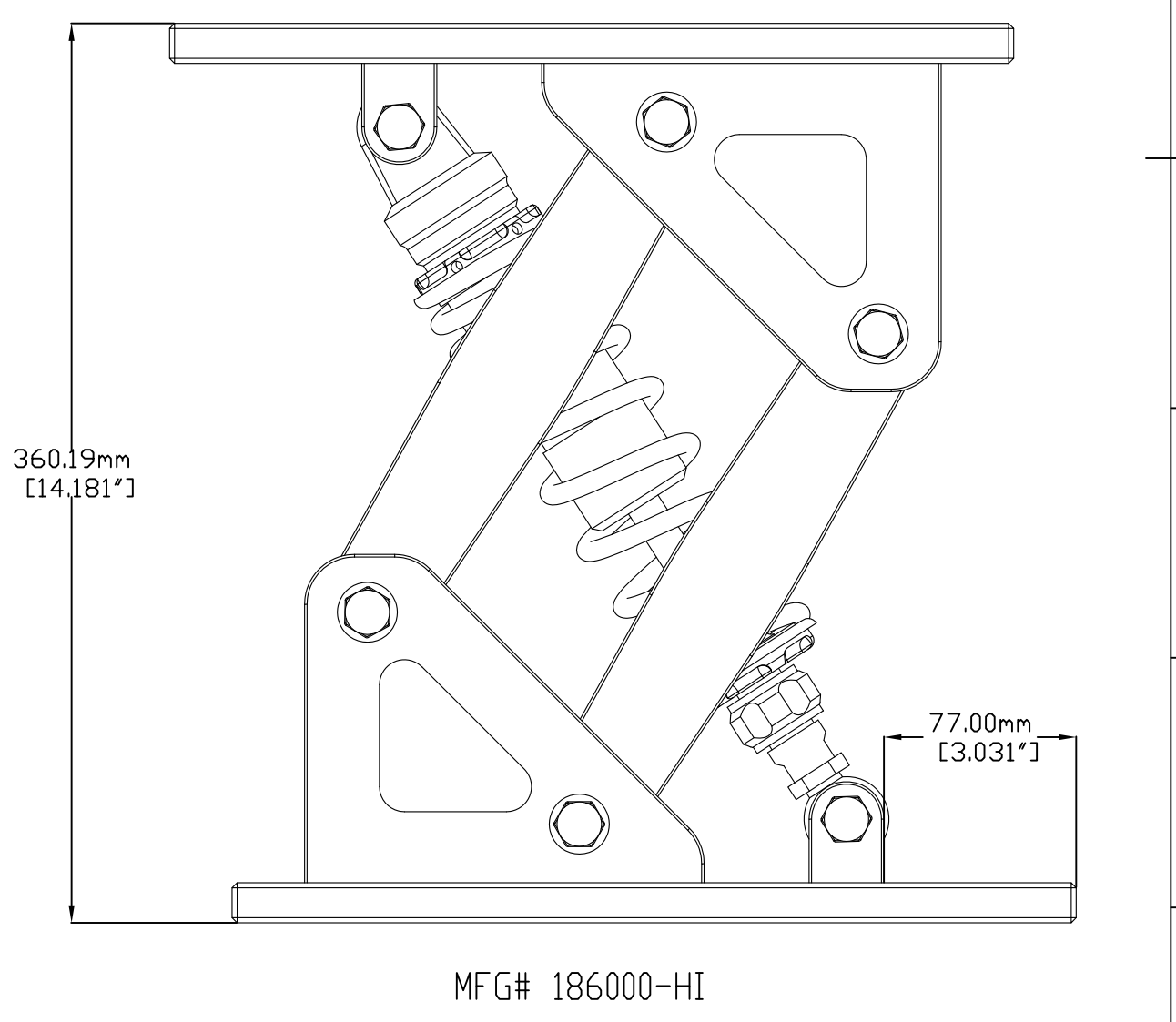
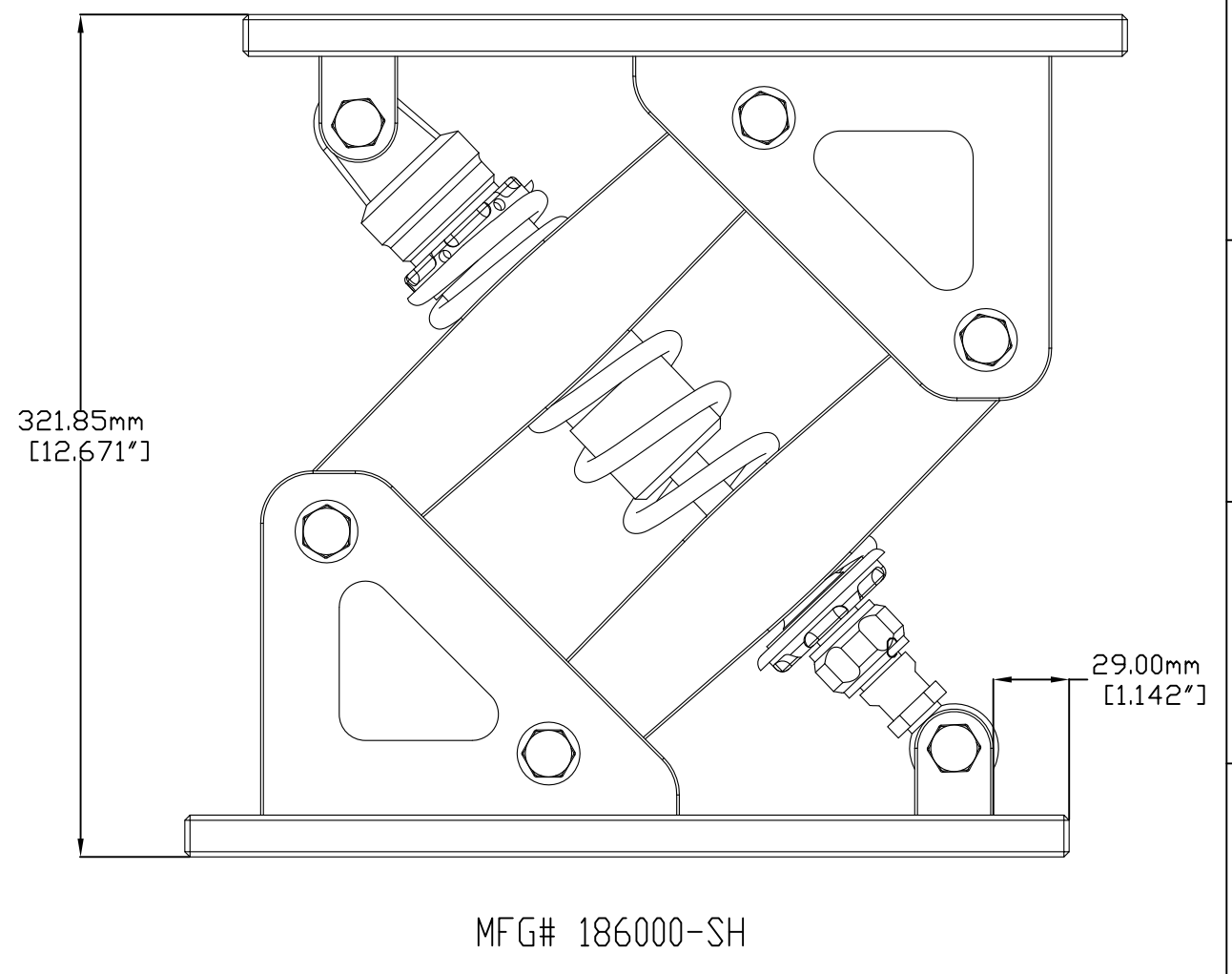
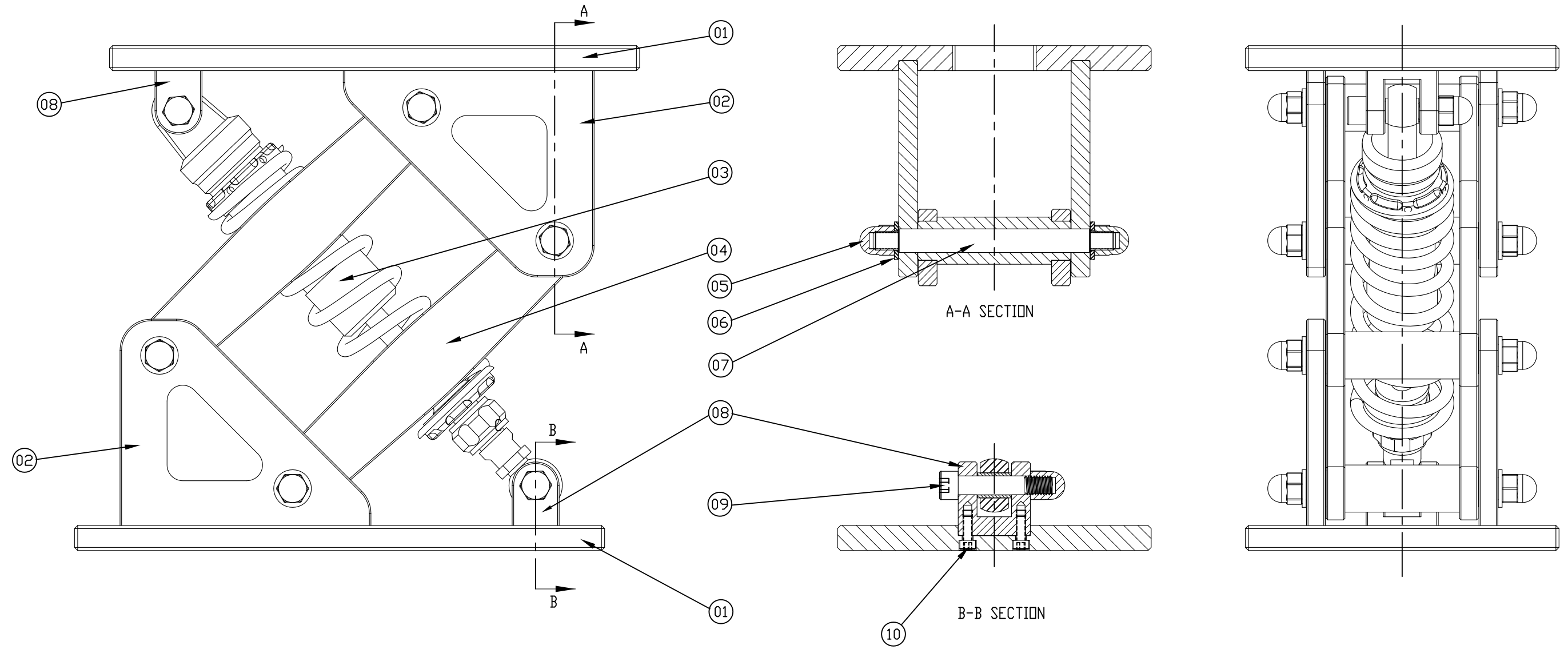


REV.	X-Y	ECN	REVISED	BEFORE	REV	APPV'D BY	DATE
A1	7-G		CHANGED DIMENSION	300mm		HERBIE	06/25/19



#	EA	DESCRIPTION	DWG #	MFG #
10	16	M6X16 HEX. SOCKET SCREWS, SS304	NDINE	
09	2	M12X60 HEX SOCKET SCREWS, SS304	A40439	
08	2	BRACKET, 6063	A40368	
07	4	SHOULDER SCREWS, SS304	A40370	
06	8	WASHERS ID13; OD24; THICK25, SS304	NDINE	
05	10	M12 HEX DOMED CAP NUTS, SS304	NDINE	
04	2	ARM ASSEMBLY	A20294	
03	1	SHOCK ABSORBER-330	A30177	
02	4	ARM BRACKET, 6063	A30179	
01	2	BASE PLATE, 6063	A10401	

NAME:	"X" SHOCK PEDESTAL		
DRAWN BY:	HERBERT	DATE:	04/01/19
REV. BY:		SCALE:	FULL
APPV'D BY:		WEIGHT:	
		LINEAR:	
		ANGULAR:	
DWG NO.:	A10400-A	RELEASE DATE:	
MFG NO.:	SEE DWG		