

Installation instructions for the fuel extractor

(Binding installation instructions)

Installation position

The installation position of the fuel extractor is shown in Figure 1 and depends on the relevant vehicle-specific installation conditions.

General instructions

The following details are supplied in the installation documentation for the specific vehicle:

- Position of the hole in the tank fitting
- Cut the fuel extractor to length
- Shape and bend the fuel extractor
- Vehicle-specific installation instructions

If you do not have any installation documentation for the specific vehicle, find a suitable position in the tank fitting. The fuel extractor must end 5 - 8 mm above the base of the tank after it has been shaped and cut to length. It must not interfere with the function and stability of the tank fitting.

IMPORTANT

To ensure that the tank fitting is perfectly sealed, its surface areas at the top and bottom, near the fuel extractor, must be parallel to each other and completely flat (no embossing, labelling, etc.).

The parts must be clean and must not come into contact with fuel or grease before installation.

Do not lose the sealing ring in the fuel extractor's groove.

NOTE

These binding installation instructions apply to the above fuel extractor as long as technical modifications to the vehicle do not adversely affect the installation. Depending on the version of and equipment in the vehicle it may be necessary to change these installation instructions. In any event, however, you must comply with the appropriate technical rules and regulations for the installation work.

Failure to follow these installation instructions and their content will result in the refusal of all liability on the part of Webasto. The same also applies to repairs not carried out properly or using parts other than genuine spare parts

Installation

Preparations

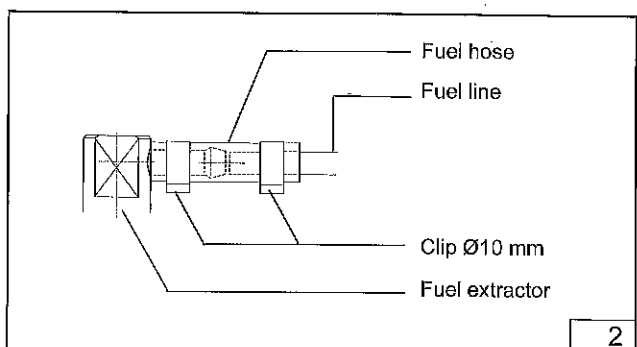
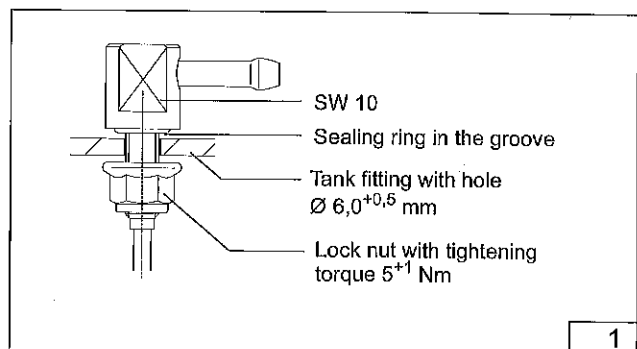
- Drill a hole with a diameter of $6.0^{+0.5}$ mm in the appropriate position in the tank fitting
- Remove the burr from the hole
- Shape the fuel extractor and cut it to length
- Remove the burr and chips out of the pipe (the internal pipe diameter must not be constricted)

To install the fuel extractor

- Install the fuel extractor as shown in Figure 1, the seal must be placed in the groove
- The tightening torque for the lock nut is 5^{+1} Nm

To install the fuel hose

- Push the fuel hose as far as possible on to the fuel extractor port as shown in Figure 2 and secure it with a 10 mm clip
- Push the fuel line as far as possible into the fuel hose as shown in Figure 2 and secure it with a 10 mm clip



1300822B.06121