



GE 900

ELECTRIC PUMP SERIES

GE 900: K6131600 - K6131650

GE 900 A.R.S.: K6131630 - GE4S0007

GE 900 AA+: K6131610 - GE4S0004

GE 900 AA+ 40: GE4S0005





— **Leggere queste istruzioni prima di utilizzare il gonfiatore.**

La mancata osservanza di tutte le istruzioni elencate di seguito può provocare danni al prodotto e/o causare lesioni gravi alle persone.

— **Read these instructions before using the inflator.**

Failure to follow all of the instructions listed below may result in damage to the product and/or cause serious injury to persons.

GE 900 ENGINE



GE 900

GE 900 120V: K6131650
GE 900 230V: K6131600

PAGE 66 - 80



GE 900 A.R.S.

GE 900 A.R.S. 120V: GE4S0007
GE 900 A.R.S. 230V: K6131630

PAGE 81 - 95



GE 900 AA+

GE 900 120V: GE4S0004
GE 900 120V: K6131610

PAGE 96- 110



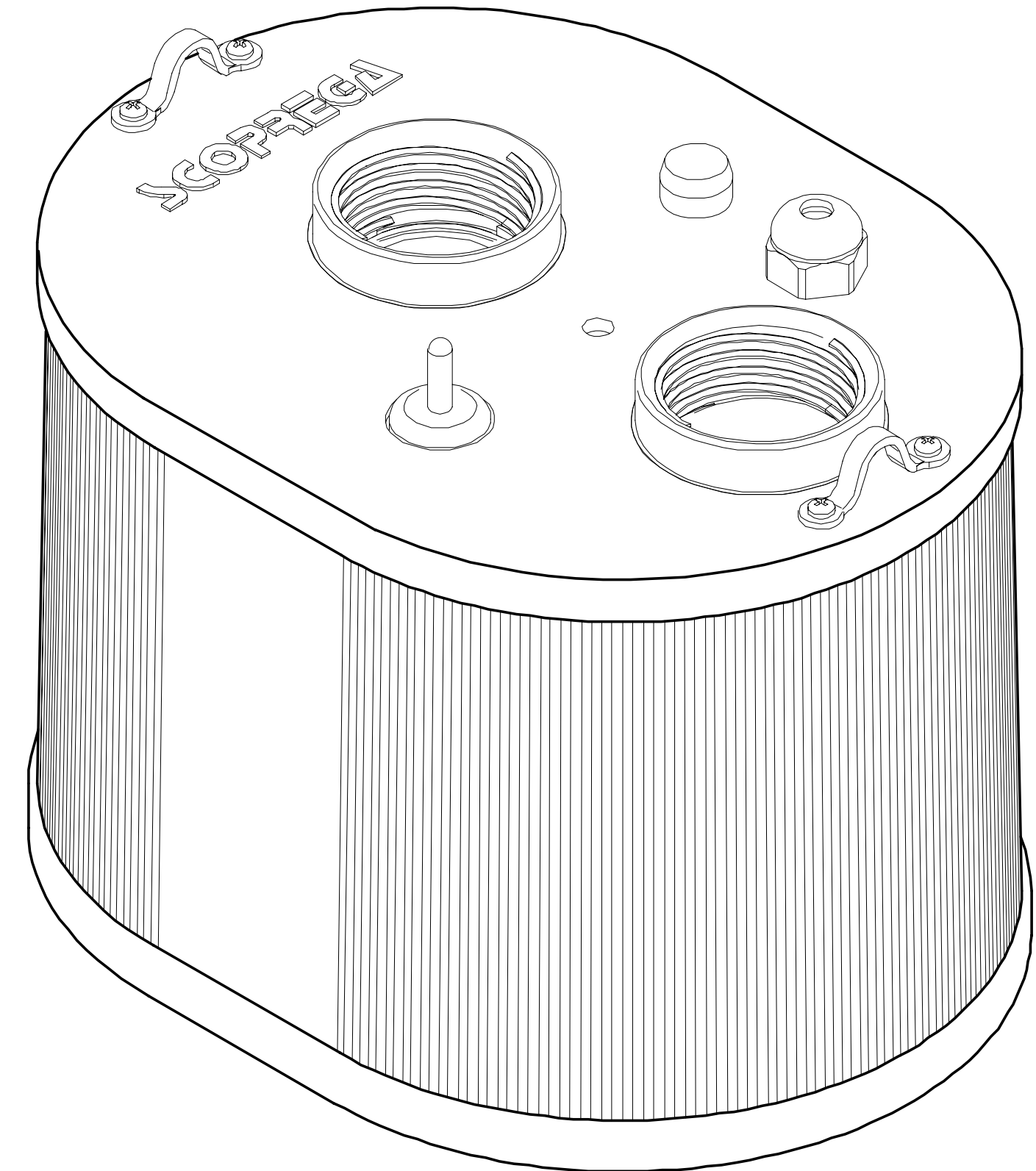
GE 900 AA+ 40

GE 900 AA+ 40 230V: GE4S0005

PAGE 111 - 125

G E 9 0 0

1. INTRODUCTION
2. FUNCTIONAL DESCRIPTION
3. PRELIMINARY WARNINGS
4. TECHNICAL DATA
5. RECOMMENDED USES
6. INSTALLATION
7. USAGE AND FUNCTIONS
8. GENERAL SAFETY RULES
9. TROUBLESHOOTING
10. ACCESSORIES



I N T R O D U C T I O N

01

GE 900: K6131650

GE 900: K6131600

GE 900

The GE 900 is an electric inflator **designed to inflate and deflate inflatable products of various sizes.**

It is capable of reaching a maximum pressure of **170 mbar with a flow rate of 1700 l/min.** All with a noise impact reduced to a maximum of 85dB.



FUNCTIONAL DESCRIPTION

02

GE 900: K6131650

GE 900: K6131600



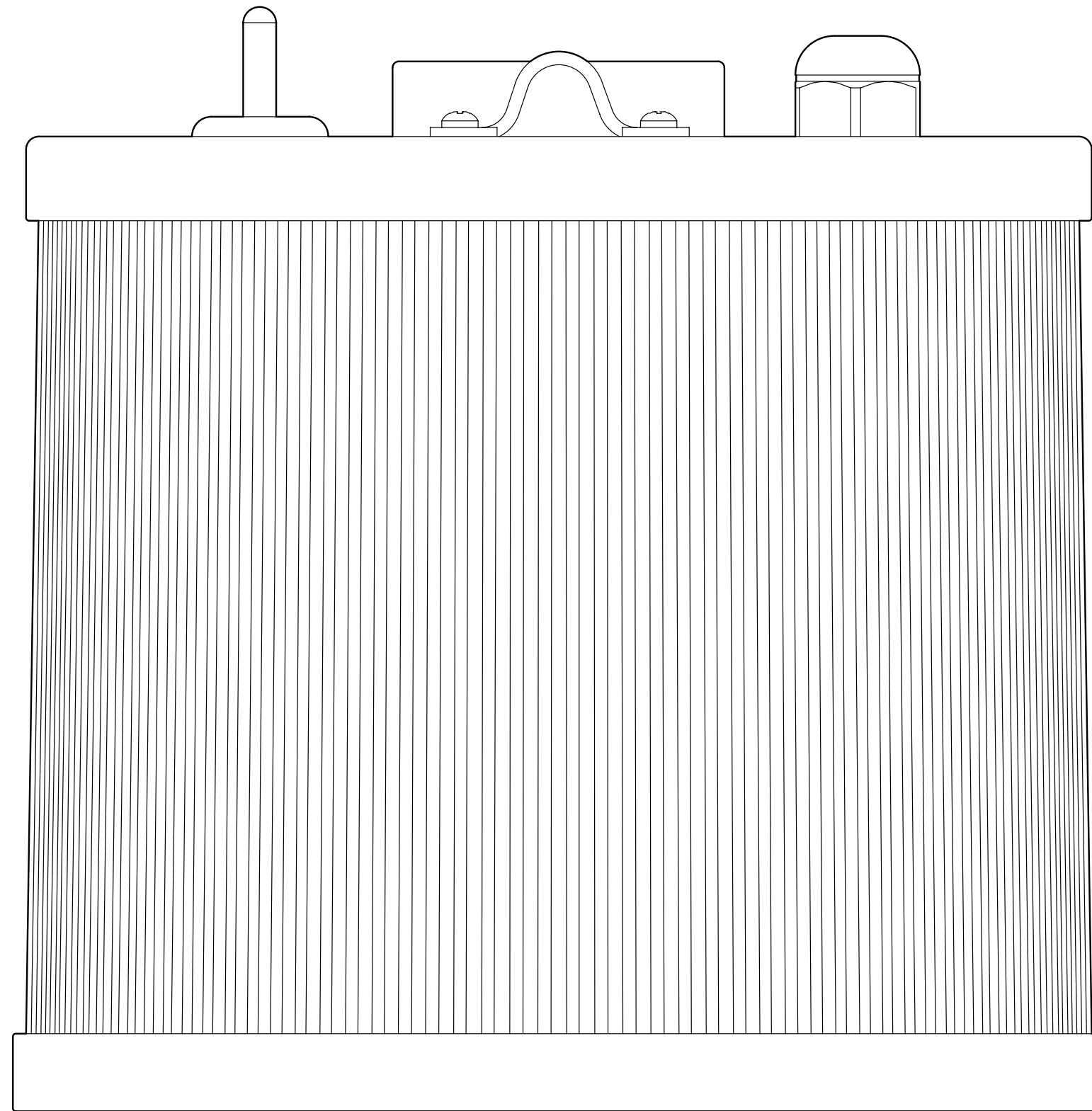
FIG.1

PRELIMINARY WARNINGS

03

GE 900: K6131650

GE 900: K6131600



- 1.** Follow all instructions in this document.
- 2.** Keep these instructions.
- 3.** Do not obstruct the air vents.
- 4.** Always protect the power cord.
- 5.** Do not open the inflator. Have all maintenance activities performed maintenance to qualified maintenance technicians authorized by Scoprega. Maintenance is required when the unit is found to be in any way damaged or inoperative.
- 6.** Do not tamper with the product. Opening the inflator will result in the voiding of the warranty.
- 7.** Provide adequate ventilation.
- 8.** Avoid placing objects in the vicinity of the product during its operation.
- 9.** Keep this product out of the reach of children.
- 10.** The inflator in motion produces vibration so to avoid accidental falls, we recommend using it on the floor.
- 11.** This appliance is not intended for use by persons (including children) with reduced physical, sensory or mental capabilities, or lack of experience and knowledge, unless they have been given supervision or instruction concerning use of the appliance by a person responsible for their safety.
- 12.** Children should be supervised to prevent them from playing with the appliance.

T E C H N I C A L D A T A

04

GE 900: K6131650

GE 900: K6131600

GE 900

MAX PRESSURE: 170 mbar (2,5 psi)

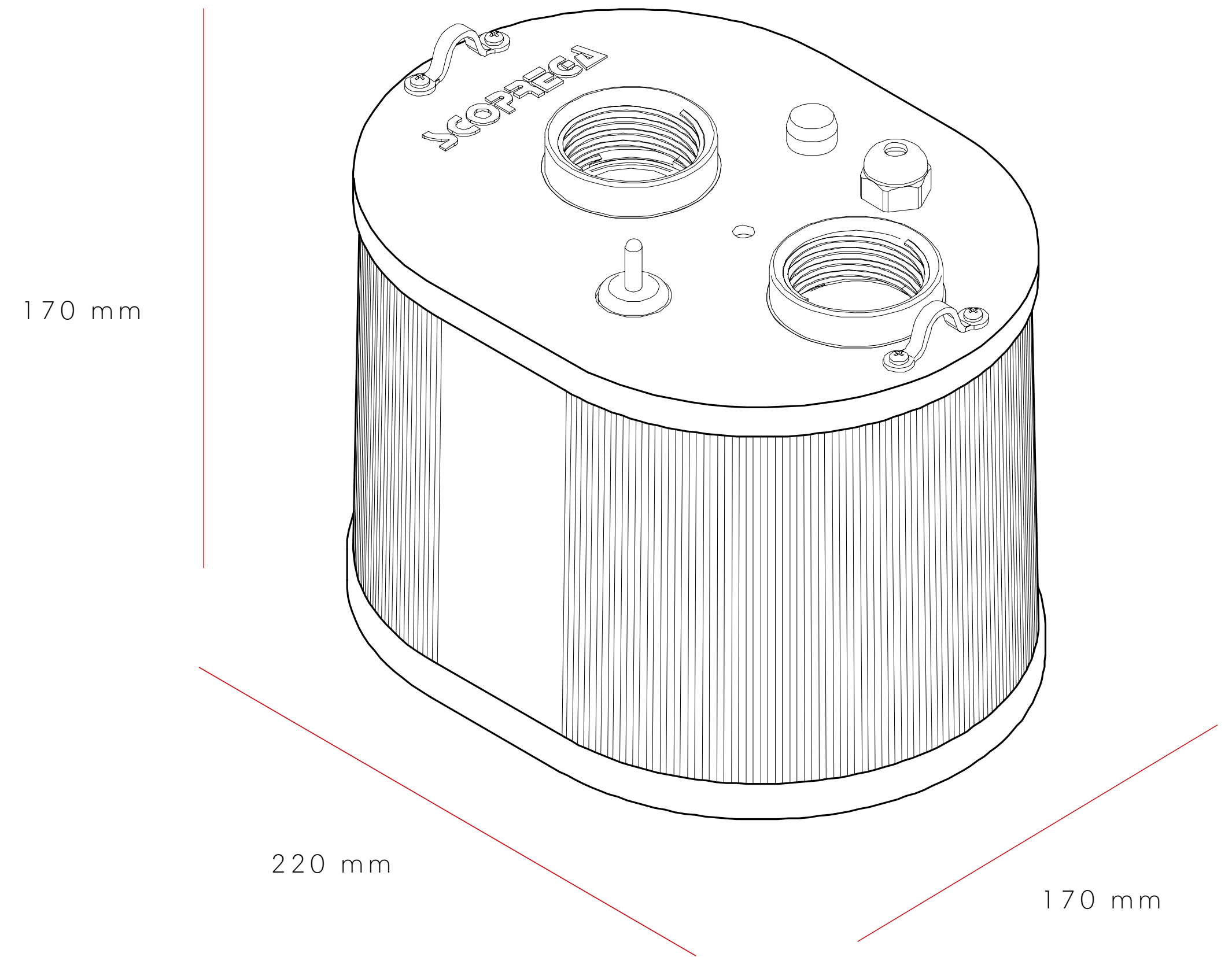
MAX AIR FLOW: 1700 l/m

CHARGE VOLTAGE: 120 Vac 60 Hz | 230 Vac 50 Hz

MAX CURRENT: 6 A (120 Vac) | 3 A (230 Vac)

WEIGHT: 2,3 Kg

FUNCTION: Inflate/Deflate



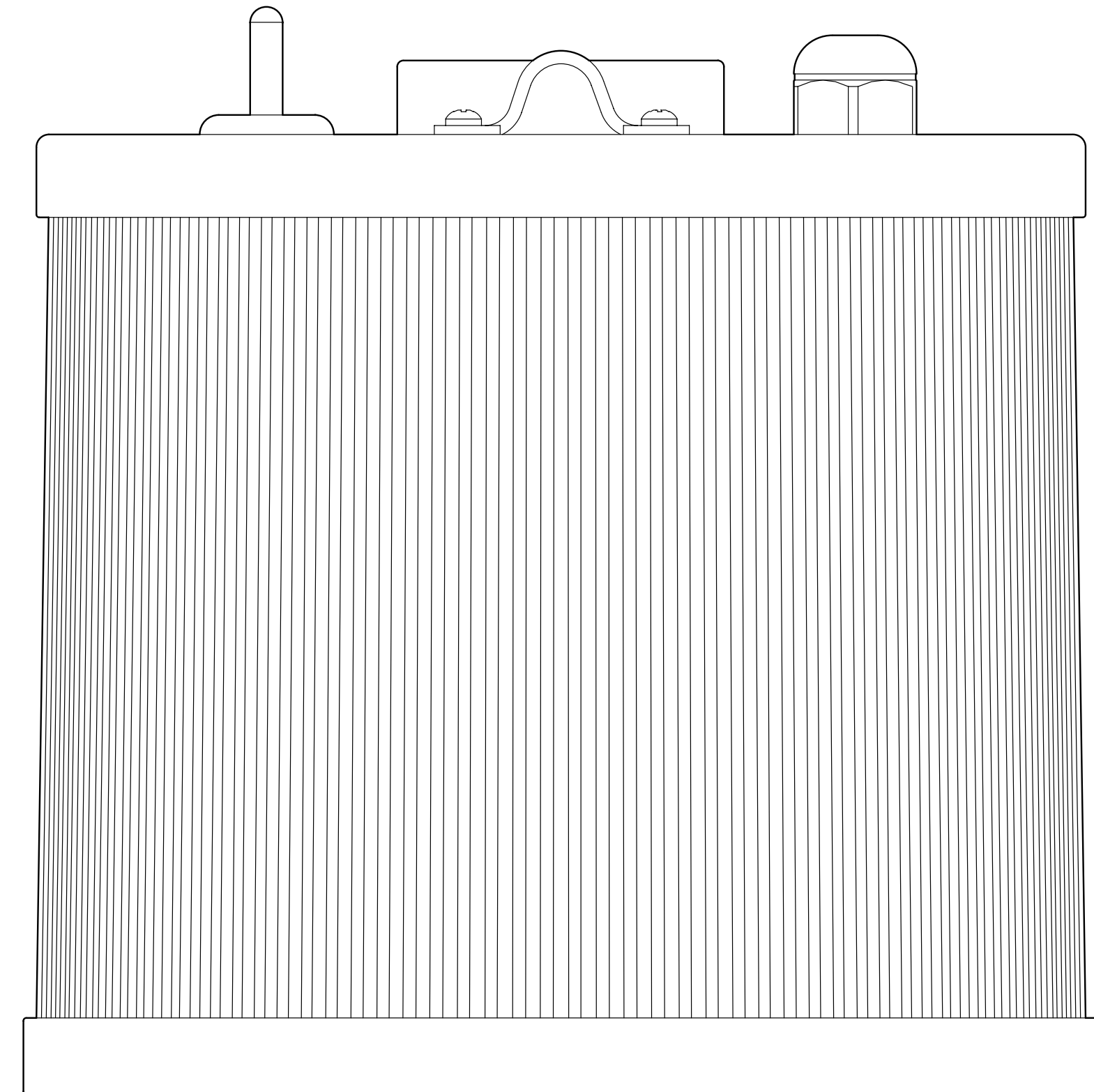
RECOMMENDED USES

05

GE 900: K6131650

GE 900: K6131600

The GE 900 represents the **ideal inflator for tents, games, inflatable structures and inflatable barriers.**



I N S T A L L A T I O N

06

GE 900: K6131650
GE 900: K6131600

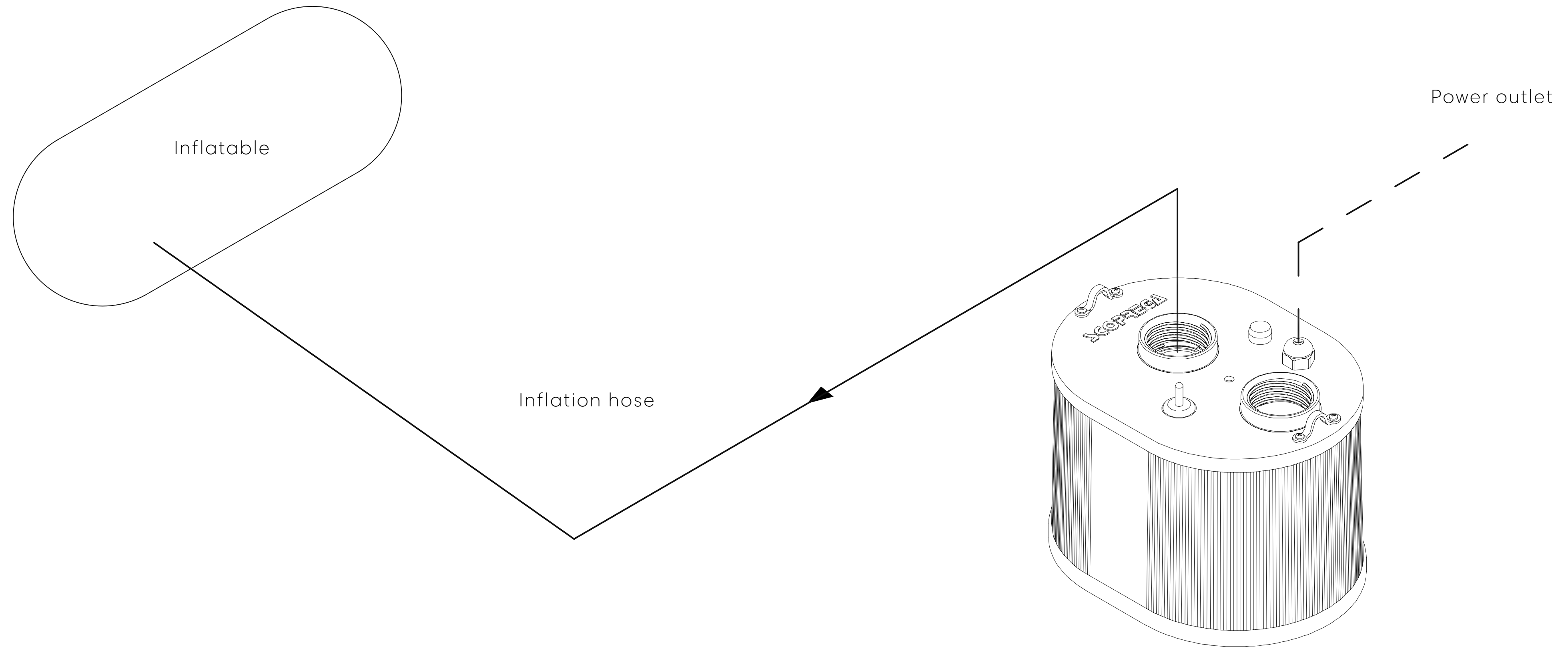


FIG.3

U S A G E A N D F U N C T I O N S

07

GE 900: K6131650

GE 900: K6131600

TO USE/INFLATE:

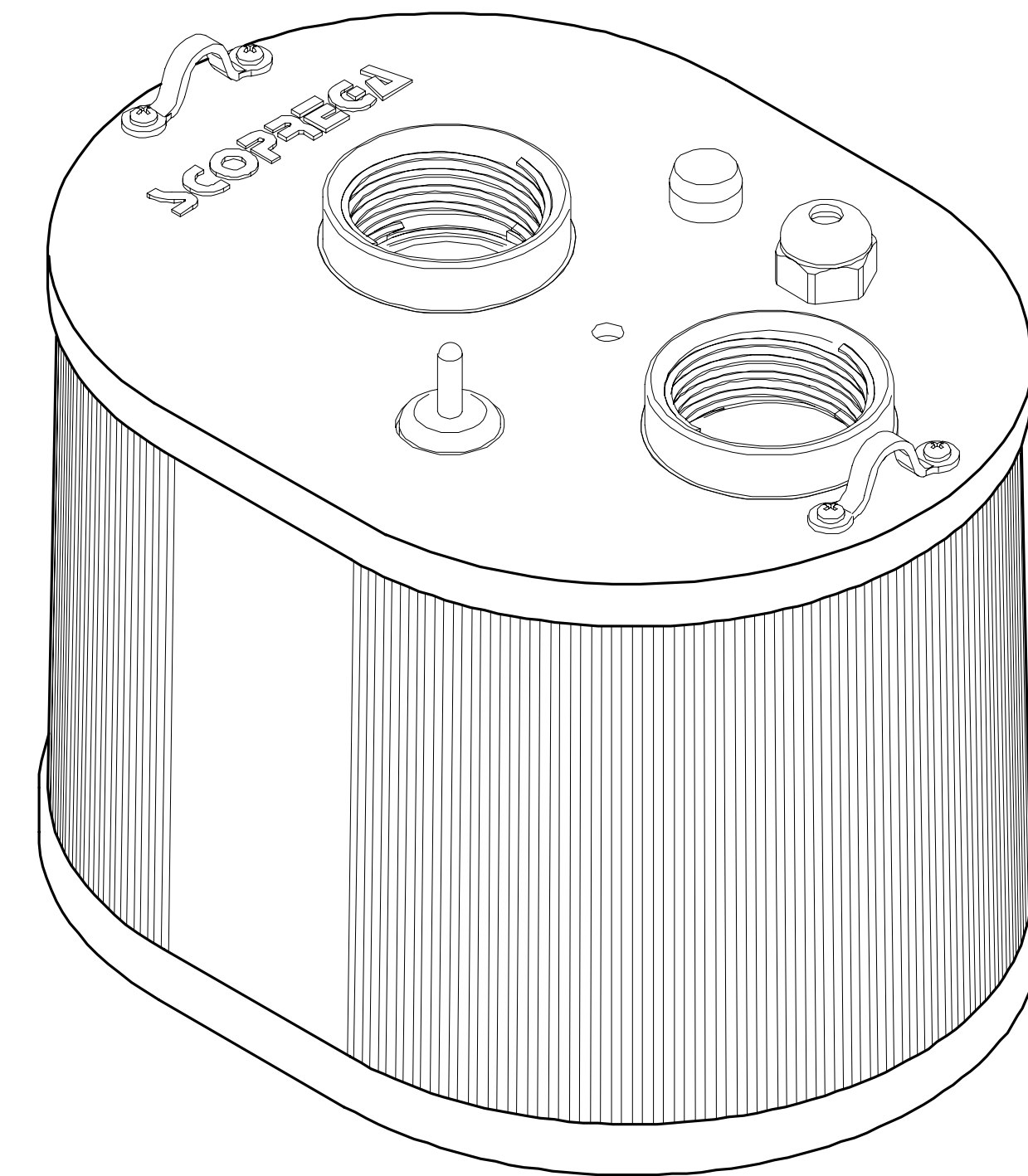
Connect one end of the hose to the inflation port (Point 1, Fig. 1), and the other end to the valve of the inflatable.

Having made the connections, connect the inflator to the power supply and press the **ON/OFF** button (Item 4, Fig 1).

N.B. Check that the inflation hose is always connected to the inflator and the inflatable.

N.B. It is important to choose the proper fitting for the valve and check for air leakage.

N.B. If the power cord is damaged, it should be replaced by the manufacturer, its service agent or similarly qualified persons in order to avoid a hazard.



USAGE AND FUNCTIONS

07

GE 900: K6131650

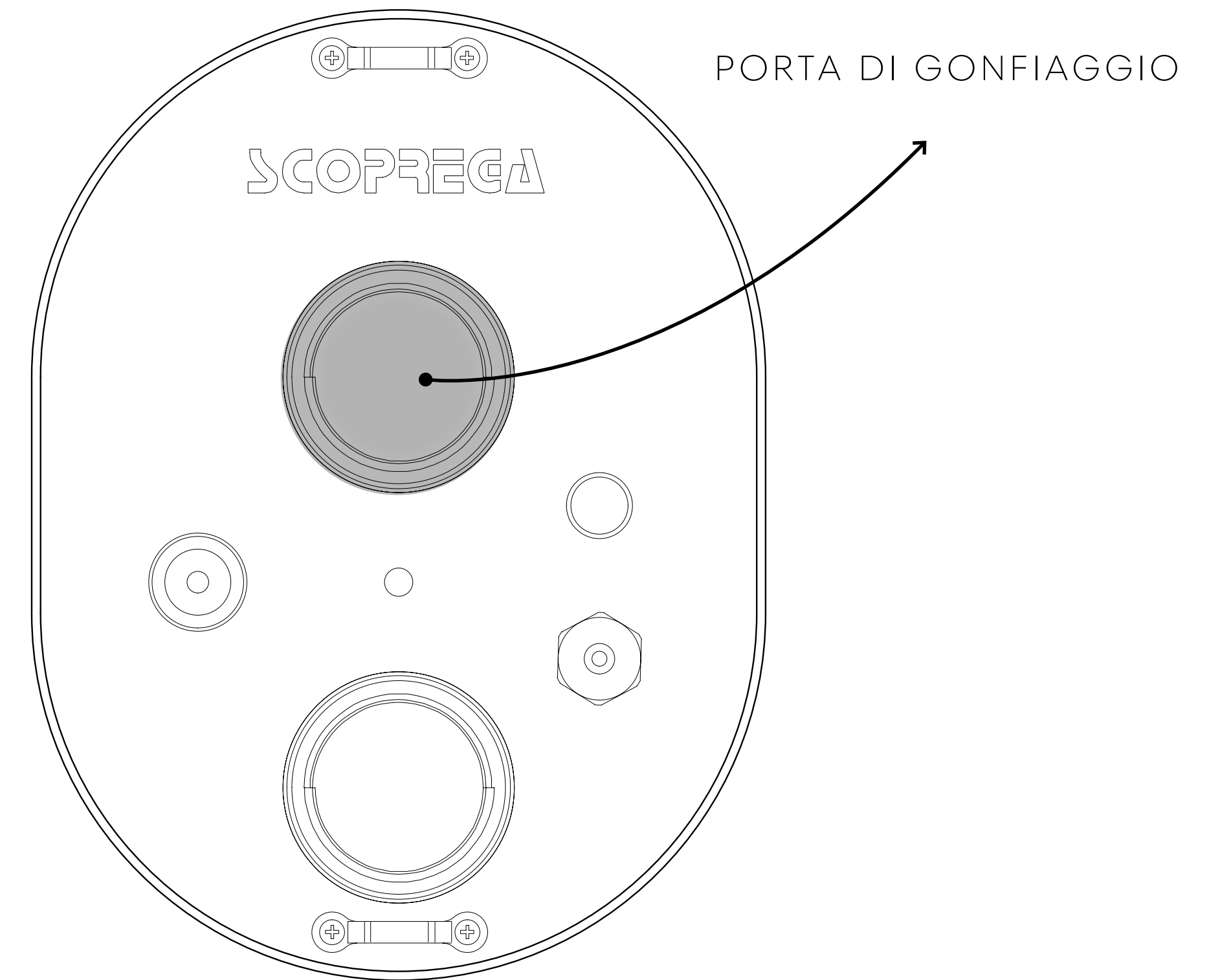
GE 900: K6131600

TO INFLATE:

To start the inflating phase by turning the power switch (Step 4, Fig. 1) to ON. Turn off the inflator as soon as the inflatable reaches the required pressure.

N.B. Choose the most suitable adapter for the valve on the object to be inflated.

N.B. The inflator does not automatically stop.



USAGE AND FUNCTIONS

07

GE 900: K6131650

GE 900: K6131600

TO DEFLATE:

Connect the hose to the suction port (Step 3, Fig. 1).

Connect the hose to the valve of the inflatable unit. It is important to choose the proper fitting for the valve and make sure there are no air leaks.

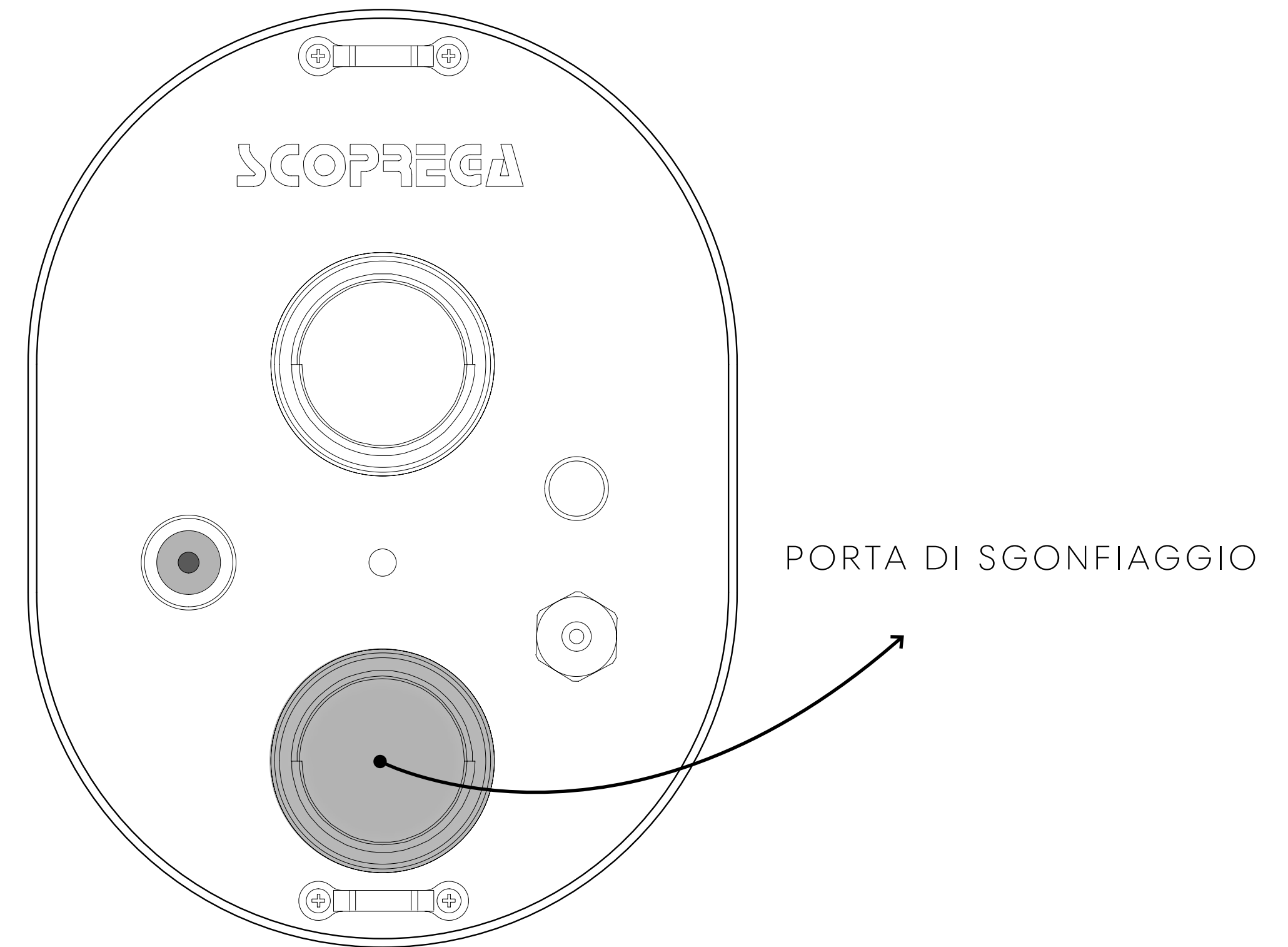
Make sure there are no bottlenecks, obstructions or leaks in the air path. Then turn on the inflator by selecting ON on the power switch (Step 4, Fig. 1).

When deflation is complete, turn off the inflator by selecting OFF on the power switch (Step 4, Fig. 1).

NB: The inflator will not stop automatically.

NB: In case of overheating due to prolonged use, the inflator will automatically stop to prevent damage to its components.

NB: The inflator can be damaged due to sand, dust or water getting inside the inlet port. this will cause overheating and damage to internal components. if this happens, turn off the inflator immediately.



GENERAL SAFETY RULES

08

GE 900: K6131650

GE 900: K6131600

1. ALWAYS CONSIDER THE WORKING ENVIRONMENT.

Do not expose the inflator to rain. Do not use in the presence of flammable liquids or gases.

2. AVOID ACCIDENTAL START-UP.

Do not start the inflator with the inlet port in contact with dust or water.

3. PAY ATTENTION.

Pay attention to what you are doing. Use common sense.

4. CHECK FOR DAMAGED PARTS.

Before using the inflator, carefully inspect the outer walls and components.

5. DO NOT START portable inflators near flammable liquids or gas or explosive atmospheres. The motors of these inflators produce sparks that can release fumes.

6. BE CAREFUL NOT TO INHALE!

Compressed air from the inflator is not pure. Never inhale air from the inflator.

7. WARNING! DANGER OF BURSTING.

Only inflate the inflatable unit in accordance with the manufacturer's recommendations. Excessive pressure can cause the inflatable unit to explode, which may result in personal injury.

8. NEVER LEAVE THE DEVICE UNATTENDED.

Overinflation can cause serious injury and property damage.

9. WARNING! DANGER OF UNSAFE OPERATION

Do not modify or attempt to repair the unit. Do not puncture or make modifications to the inflator or its accessories. Any modification to the product will invalidate the warranty.

10. NEVER CARRY THE INFLATOR BY THE HOSE OR POWER CORD.

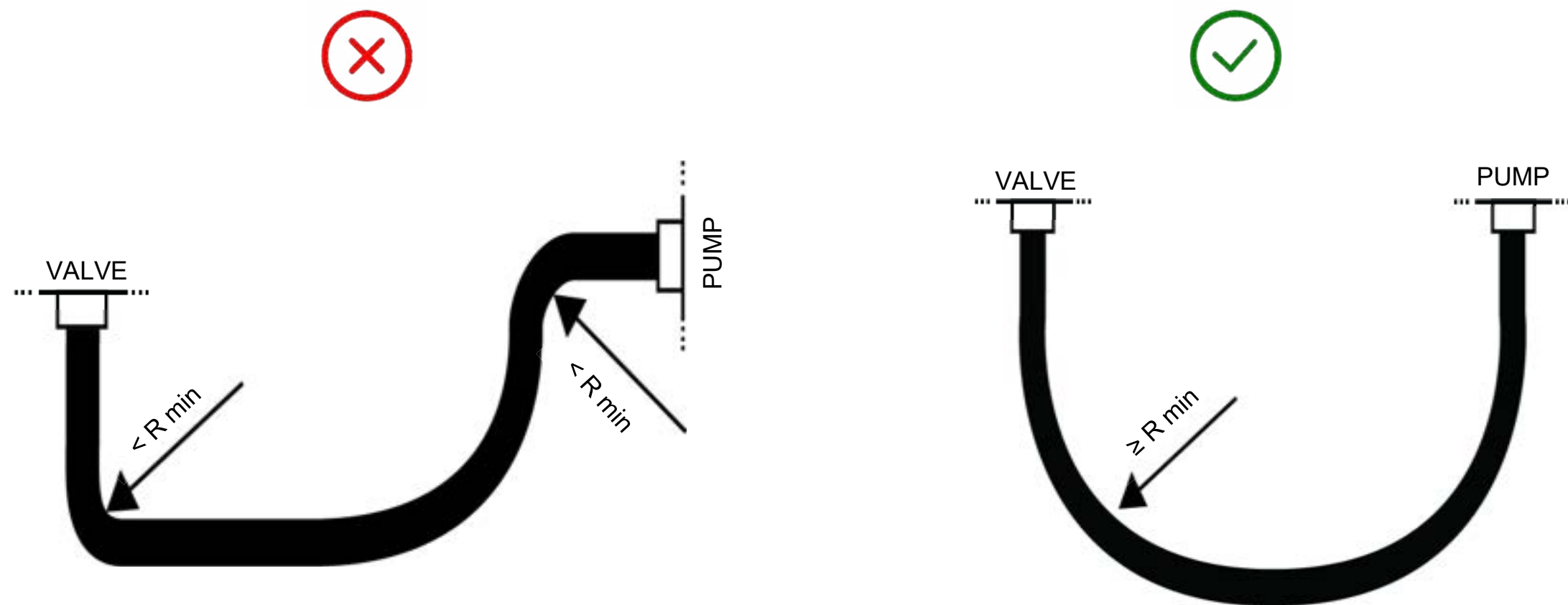
GENERAL SAFETY RULES

08

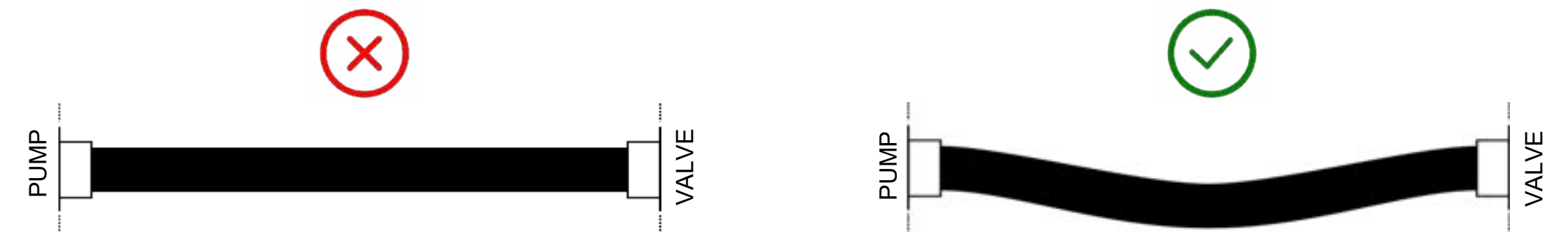
GE 900: K6131650
 GE 900: K6131600

HOSE INSTALLATION:

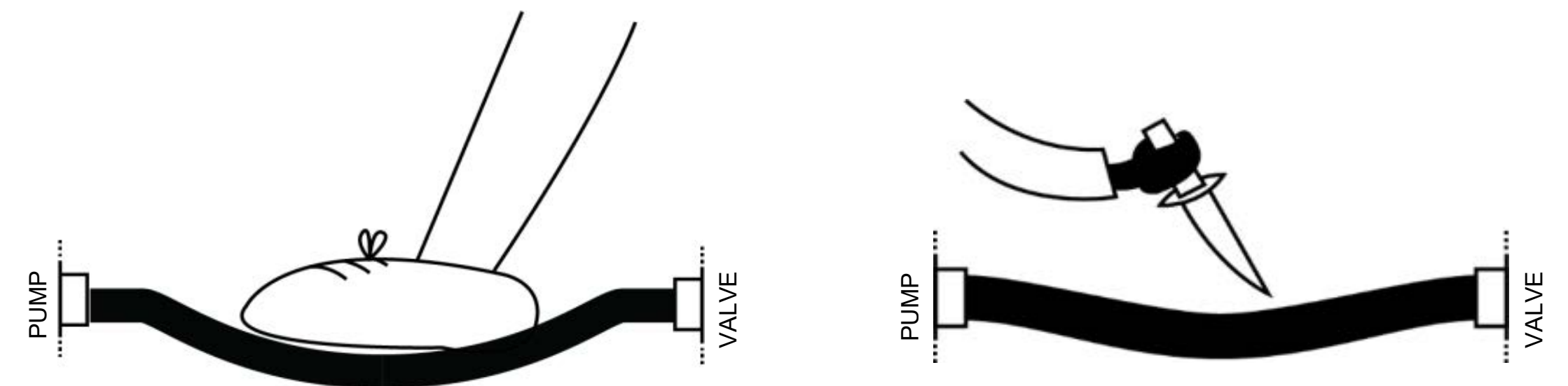
When installing a hose, it is important to follow certain rules. This is to achieve the best performance and avoid damage that could compromise the life of the hose.



N.B. The minimum bending radius is 40 mm / 1.57 inch. Installations below the minimum bend radius or excessive bending in the area of the fittings may break the hose.



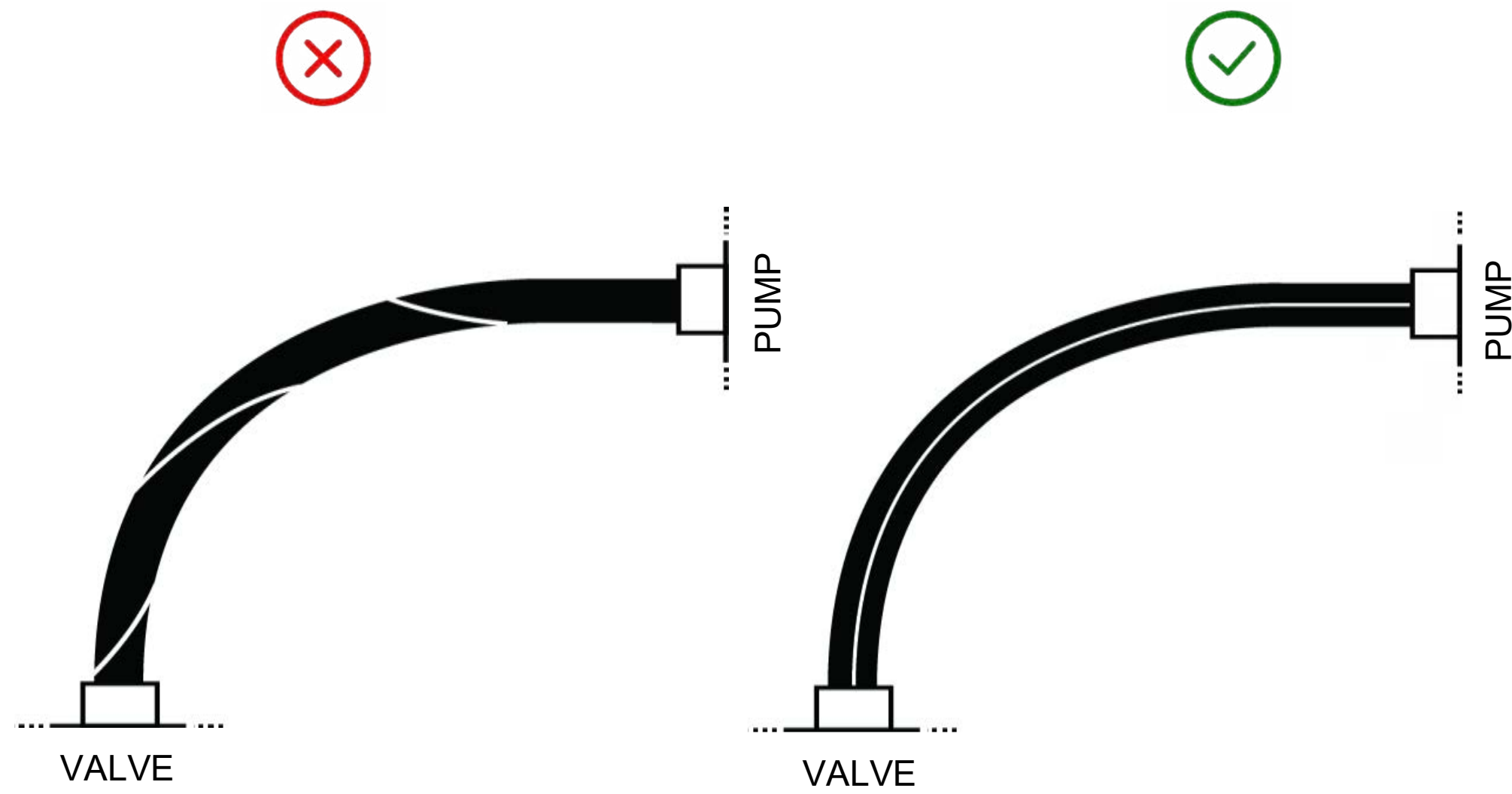
N.B. Assemble the hose so as to withstand length variations due to working pressure, pump movements and related tolerances. Avoid live assemblies.



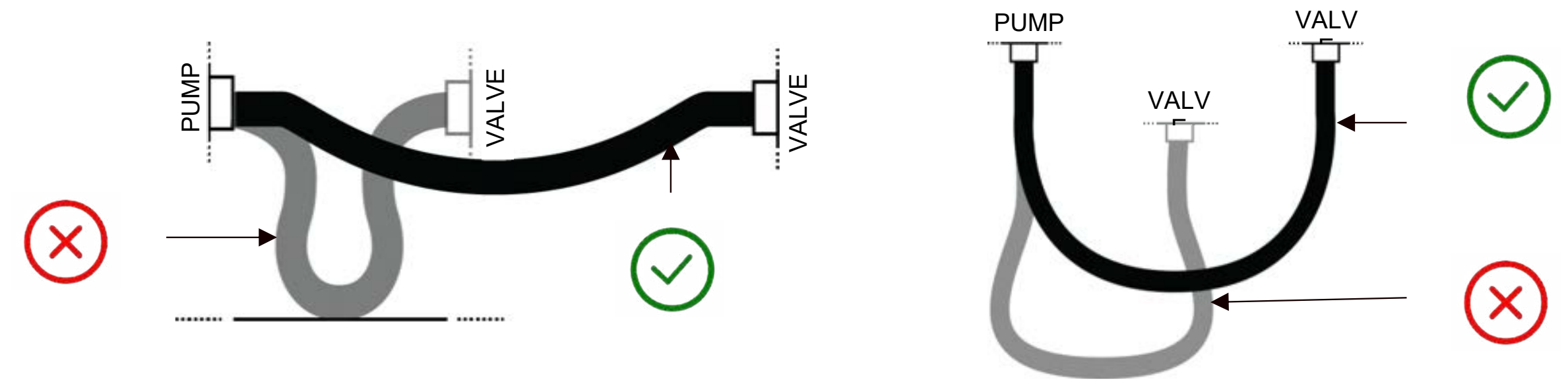
N.B. Avoid abrasions, bumps and cuts along the entire length of the hose during installation and use.

08 GENERAL SAFETY RULES

GE 900: K6131650
 GE 900: K6131600



N.B. The life of a hose in twisting is greatly reduced.
 To avoid twisting during installation and use, check that the spiral always follows a linear course.



N.B. The length of the hose should be such as to accommodate the motion and should not go below the minimum bending radius.
 The hose allows relative movements between two connected sources.
 Avoid abrasion, tension and twisting during installation and use.

TROUBLESHOOTING

09

GE 900: K6131650

GE 900: K6131600

PROBLEM	CAUSE	SOLUTION
The inflator does not start	Power supply not connected	Connect the power supply
	the ON button was not pressed	Pressed the ON button
	The inflator is damaged	Contact the SCOPREGA service
PROBLEM	CAUSE	SOLUTION
The inflator does not inflate/deflate	Power supply not connected	Connect the power supply
	Incorrect connection of the hose	Connect the hose to the correct port.
	Incorrect setting pressure	Change pressure setting
	High temperature of the motor	Wait for it to temperature to drop



A10 ACCESSORIES

GE 900: K6131650
GE 900: K6131600

Various accessories can be found inside the box including:



Shoulder strap



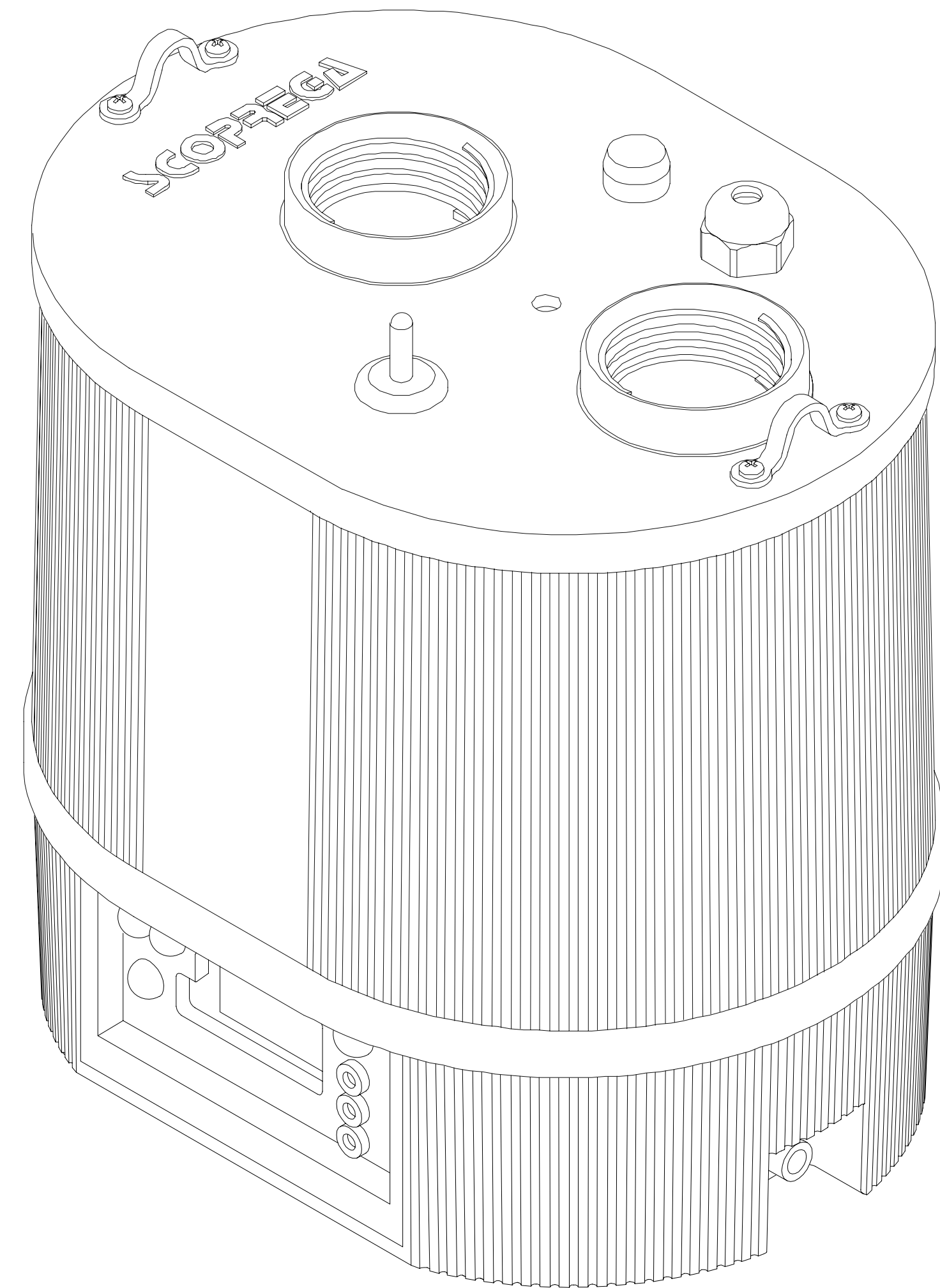
Hose



Fittings

GE 900 A.R.S.

1. INTRODUCTION
2. FUNCTIONAL DESCRIPTION
3. PRELIMINARY WARNINGS
4. TECHNICAL DATA
5. RECOMMENDED USES
6. INSTALLATION
7. USAGE AND FUNCTIONS
8. GENERAL SAFETY RULES
9. TROUBLESHOOTING
10. ACCESSORIES



I N T R O D U C T I O N

01

GE 900 A.R.S. 120V: GE4S0007

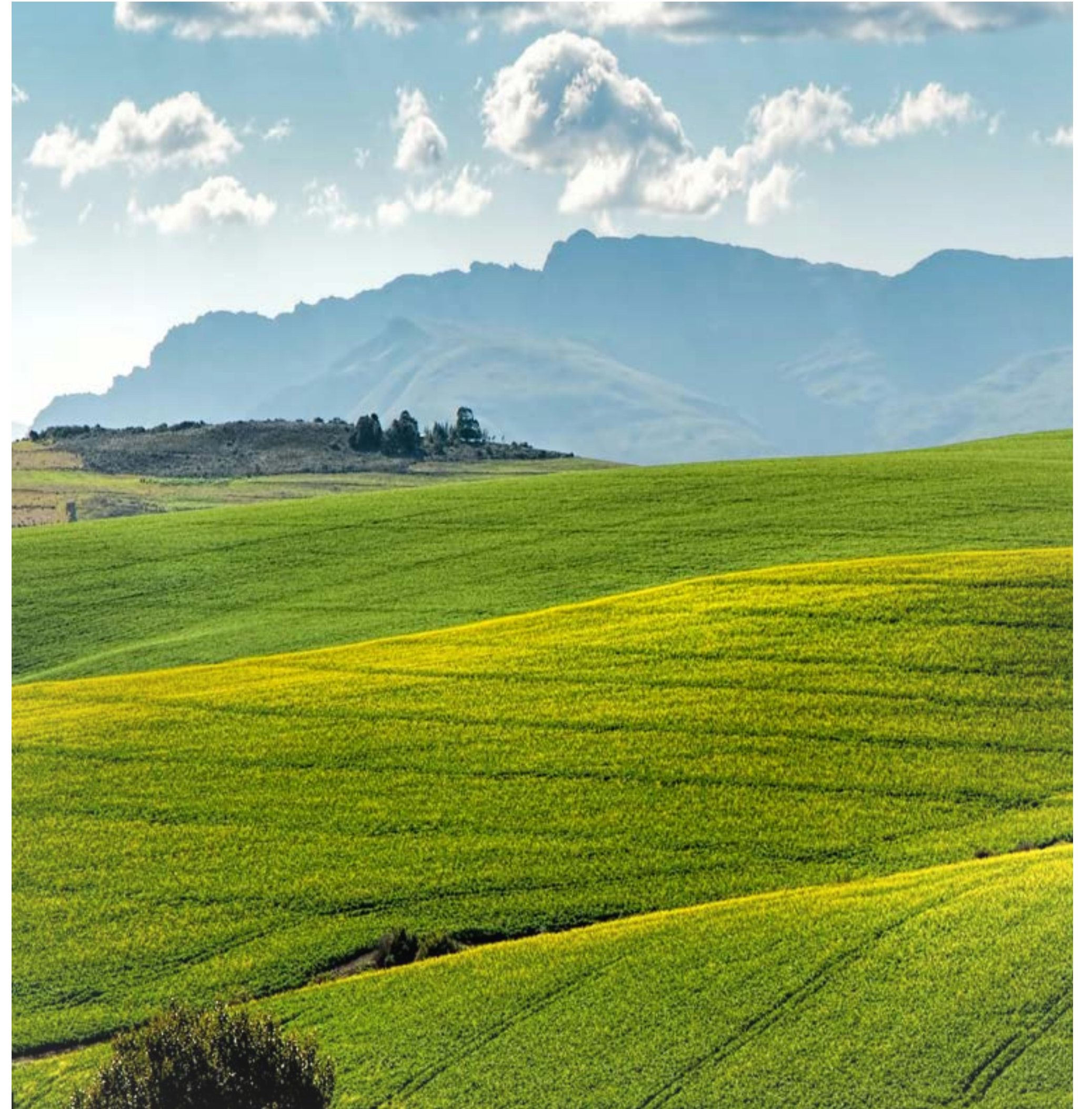
GE 900 A.R.S. 230V: K6131630

G E 9 0 0 A . R . S .

The GE 900 A.R.S. is an electric inflator **designed to inflate and deflate inflatable products of various sizes.**

It is capable of reaching a maximum pressure of **170 mbar with a flow rate of 1700 l/min.** All with a noise impact reduced to a maximum of 85dB.

The GE 900 A.R.S. (Automatic Refilling System) is an automatic inflation and deflation system. It has an easy and intuitive **digital display that allows setting the maximum and minimum pressure** within which the inflatable is to be maintained.



FUNCTIONAL DESCRIPTION

02

GE 900 A.R.S. 120V: GE4S0007

GE 900 A.R.S. 230V: K6131630

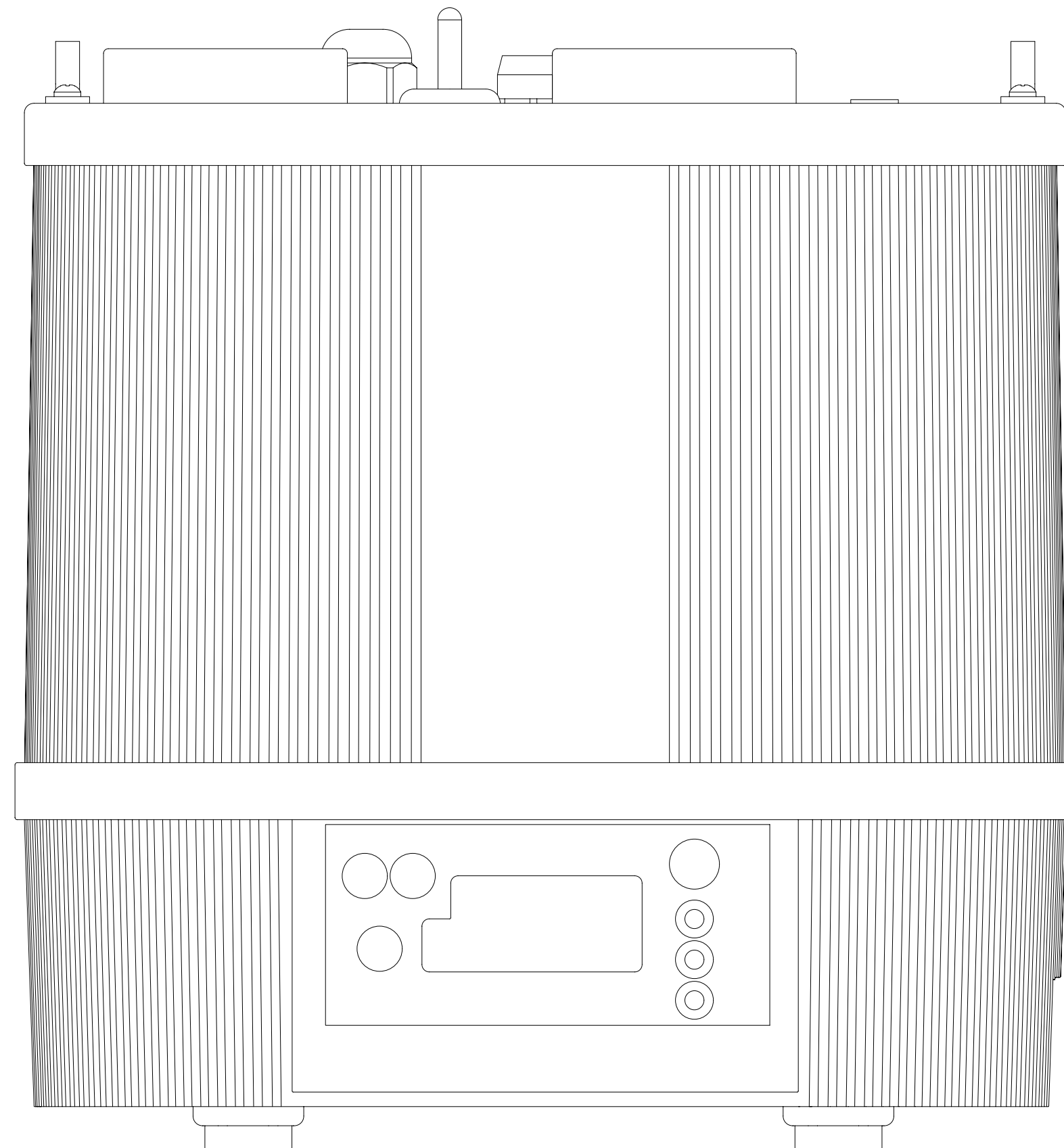


PRELIMINARY WARNINGS

03

GE 900 A.R.S. 120V: GE4S0007

GE 900 A.R.S. 230V: K6131630



- 1.** Follow all instructions in this document.
- 2.** Keep these instructions.
- 3.** Do not obstruct the air vents.
- 4.** Always protect the power cord.
- 5.** Do not open the inflator. Have all maintenance activities performed maintenance to qualified maintenance technicians authorized by Scoprega. Maintenance is required when the unit is found to be in any way damaged or inoperative.
- 6.** Do not tamper with the product. Opening the inflator will result in the voiding of the warranty.
- 7.** Provide adequate ventilation.
- 8.** Avoid placing objects in the vicinity of the product during its operation.
- 9.** Keep this product out of the reach of children.
- 10.** The inflator in motion produces vibration so to avoid accidental falls, we recommend using it on the floor.
- 11.** This appliance is not intended for use by persons (including children) with reduced physical, sensory or mental capabilities, or lack of experience and knowledge, unless they have been given supervision or instruction concerning use of the appliance by a person responsible for their safety.
- 12.** Children should be supervised to prevent them from playing with the appliance.

TECHNICAL DATA

04

GE 900 A.R.S. 120V: GE4S0007

GE 900 A.R.S. 230V: K6131630

GE 900 A.R.S.

MAX PRESSURE: 170 mbar (2,5 psi)

MAX AIR FLOW: 1700 l/m

CHARGE VOLTAGE: 120 Vac 60 Hz | 230 Vac 50 Hz

MAX CURRENT: 6 A (120 Vac) | 3 A (230 Vac)

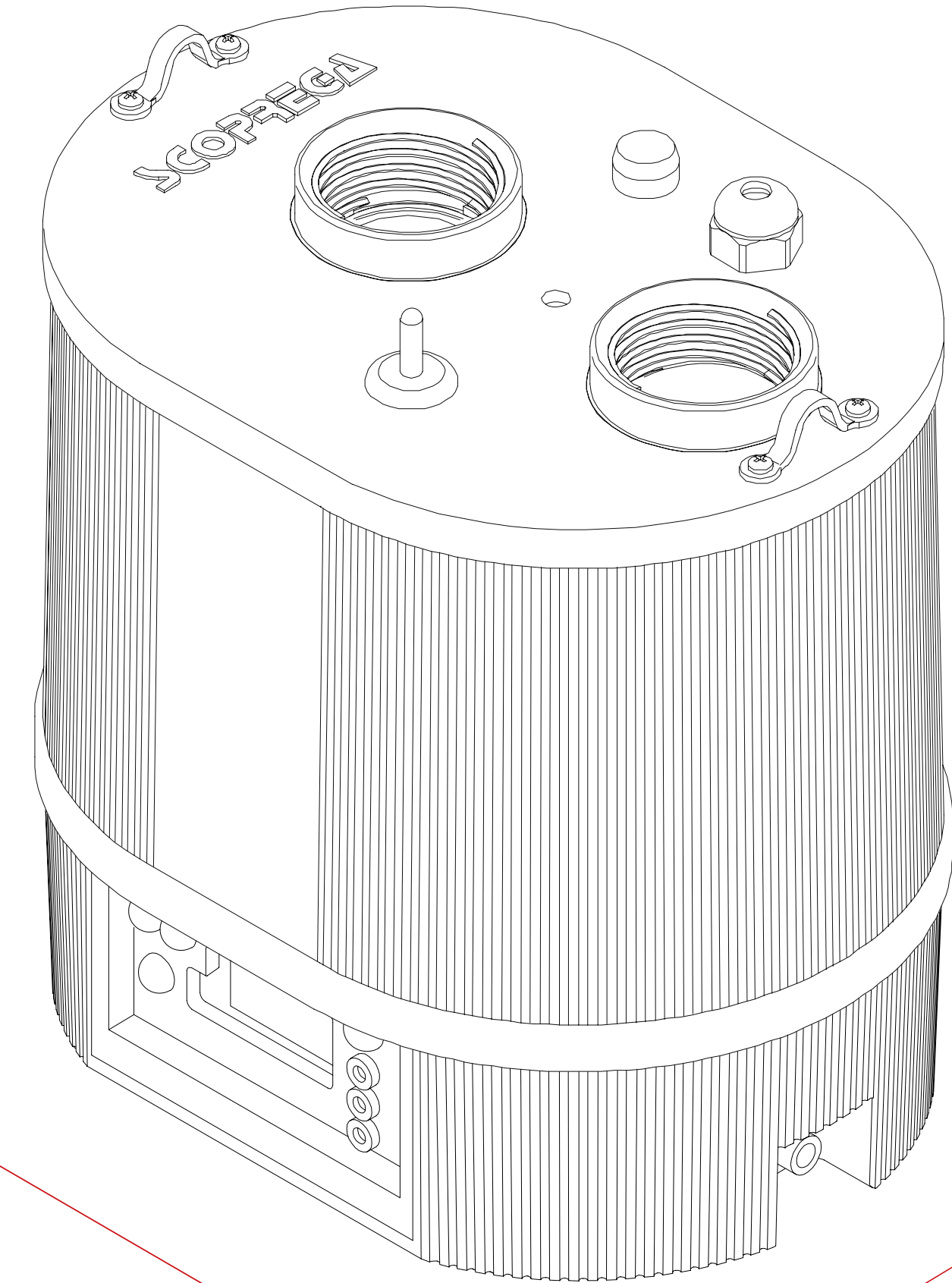
WEIGHT: 2,6 Kg

FUNCTION: Inflate/Deflate

250 mm

220 mm

170 mm



RECOMMENDED USES

05

GE 900 A.R.S. 120V: GE4S0007

GE 900 A.R.S. 230V: K6131630

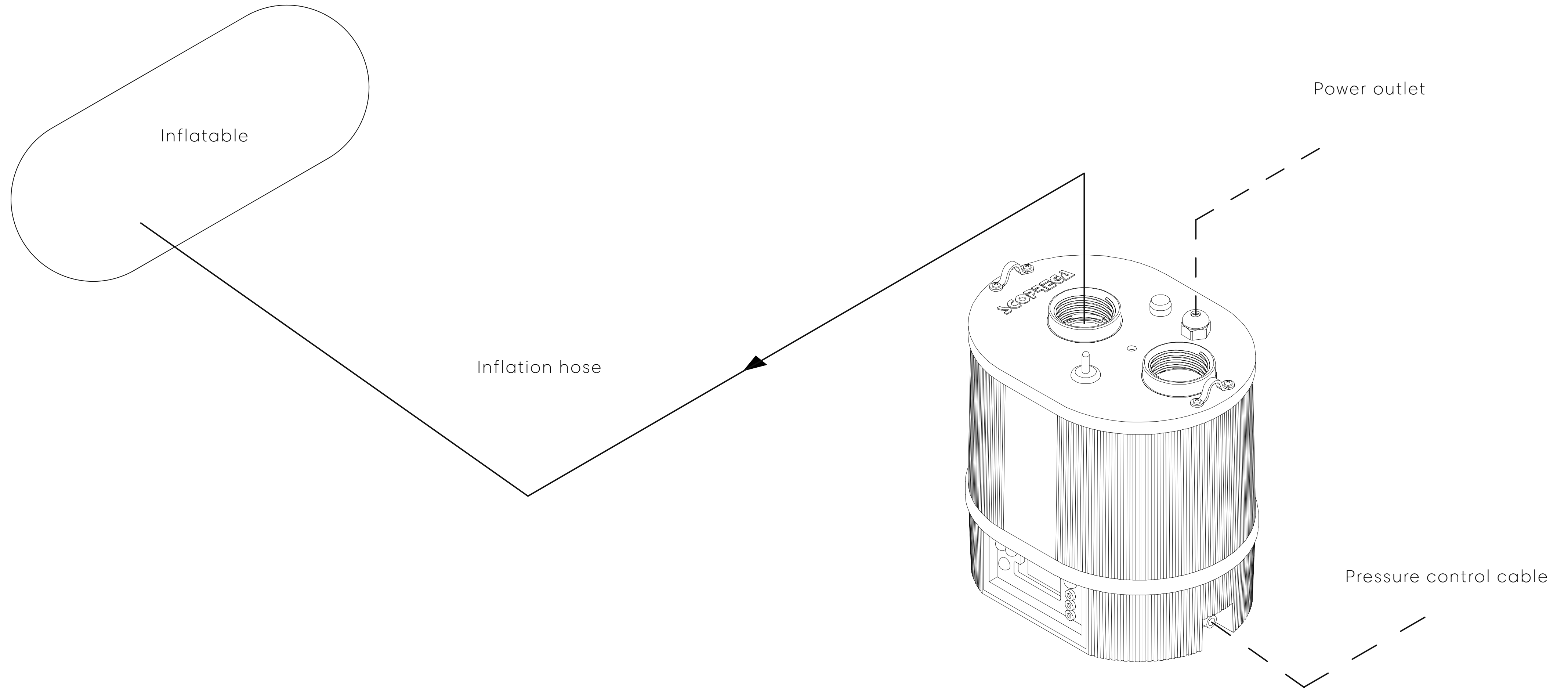
The GE 900 A.R.S. represents the **ideal inflator for tents, games, inflatable structures and inflatable barriers.**



INSTALLATION

06

GE 900 A.R.S. 120V: GE4S0007
GE 900 A.R.S. 230V: K6131630



U S A G E A N D F U N C T I O N S

07

GE 900 A.R.S. 120V: GE4S0007
GE 900 A.R.S. 230V: K6131630

TO USE:

Connect one end of the hose to the inflation port (Step 1, Fig. 1), and the other end to the valve of the inflatable.

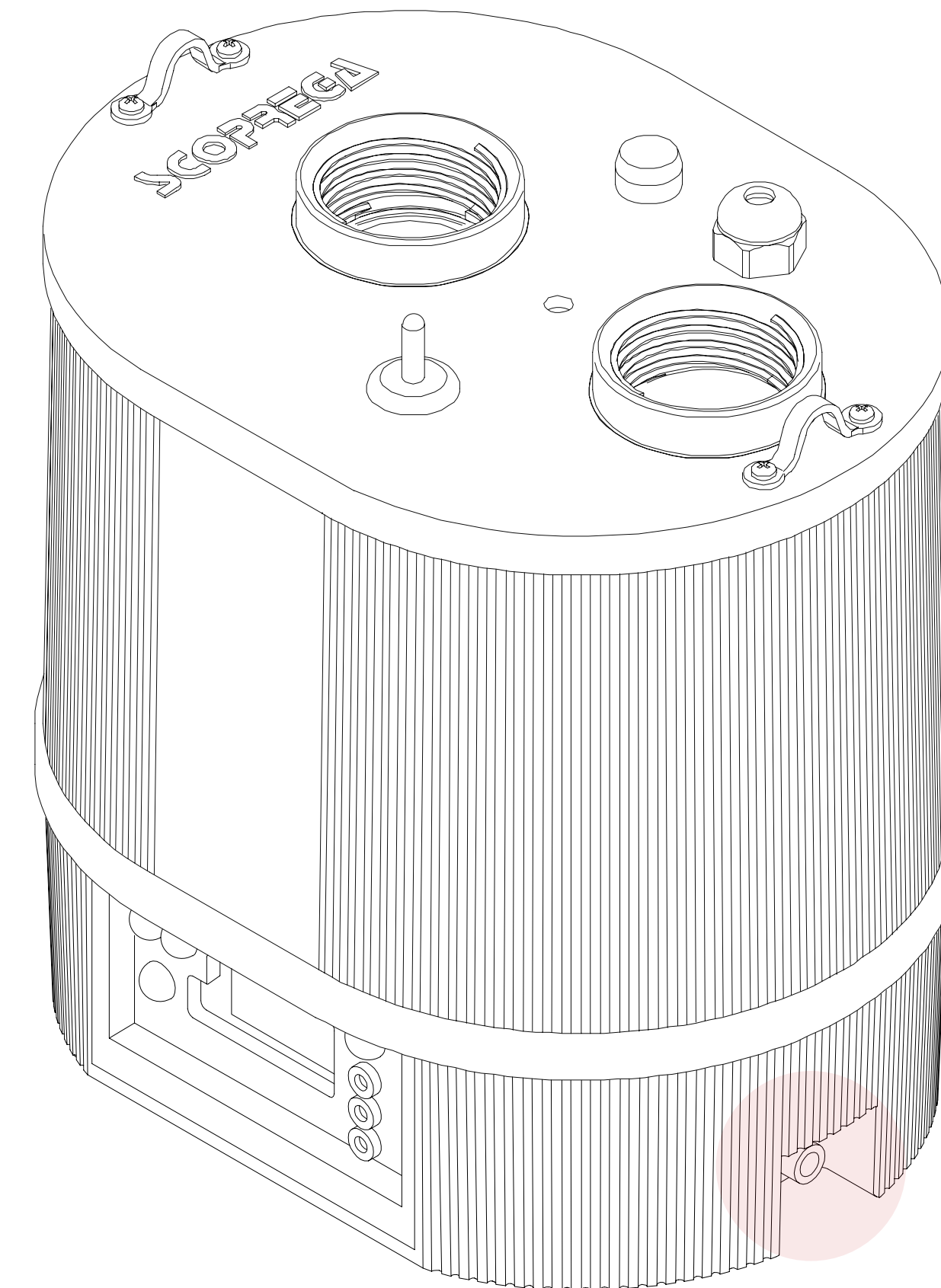
To effect pressure control (A.R.S.) connect one end of the appropriate hose to the fitting circled in red (Fig. right) and the other end to a valve on the inflatable structure.

Having made the connections, connect the inflator to the power supply and press the ON/OFF button (Step 4, Fig. 1).

N.B. Check that the inflation hose is always connected to the inflator and inflatable.

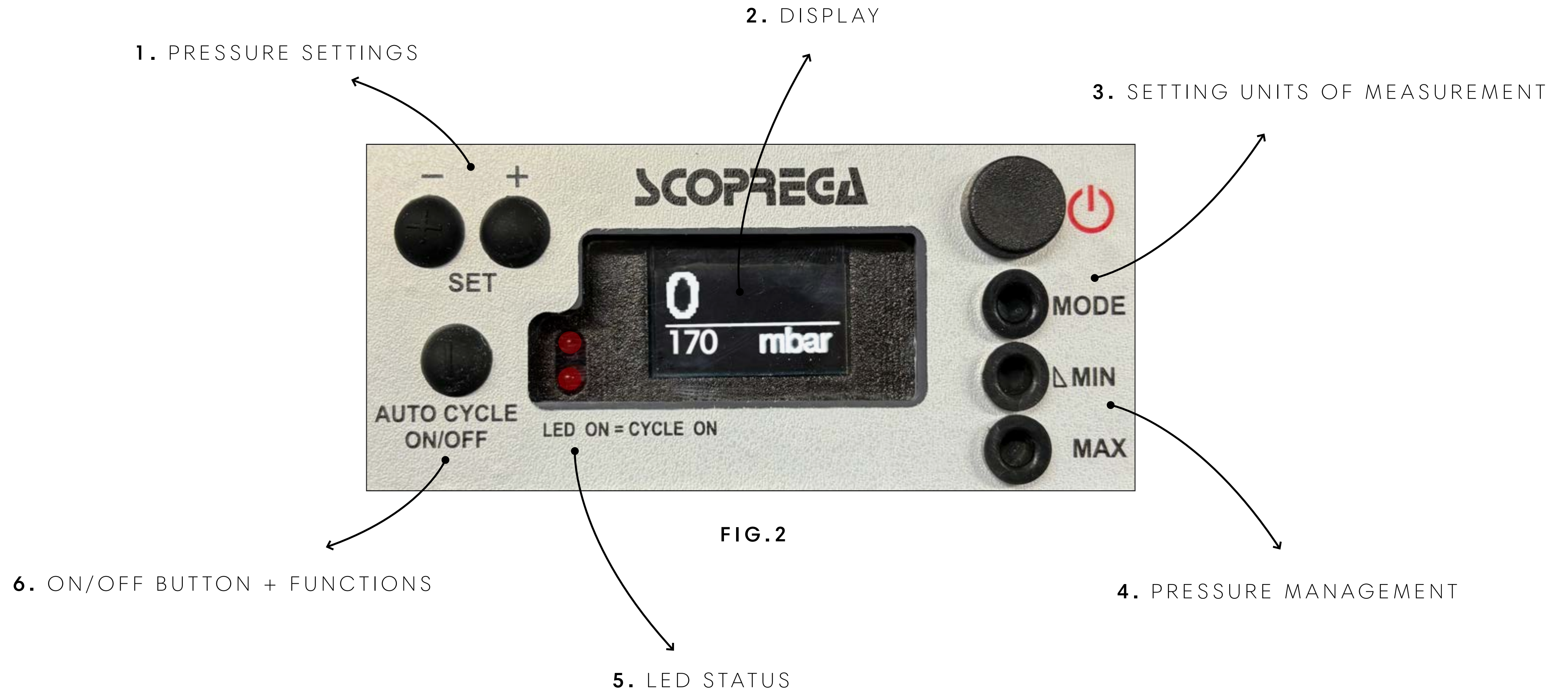
N.B. It is important to choose the proper fitting for the valve and check for air leakage.

N.B. If the power cord is damaged, it should be replaced by the manufacturer, its service agent or similarly qualified persons in order to avoid a hazard.



USAGE AND FUNCTIONS

GE 900 A.R.S. 120V: GE4S0007
GE 900 A.R.S. 230V: K6131630



USAGE AND FUNCTIONS

07

GE 900 A.R.S. 120V: GE4S0007

GE 900 A.R.S. 230V: K6131630

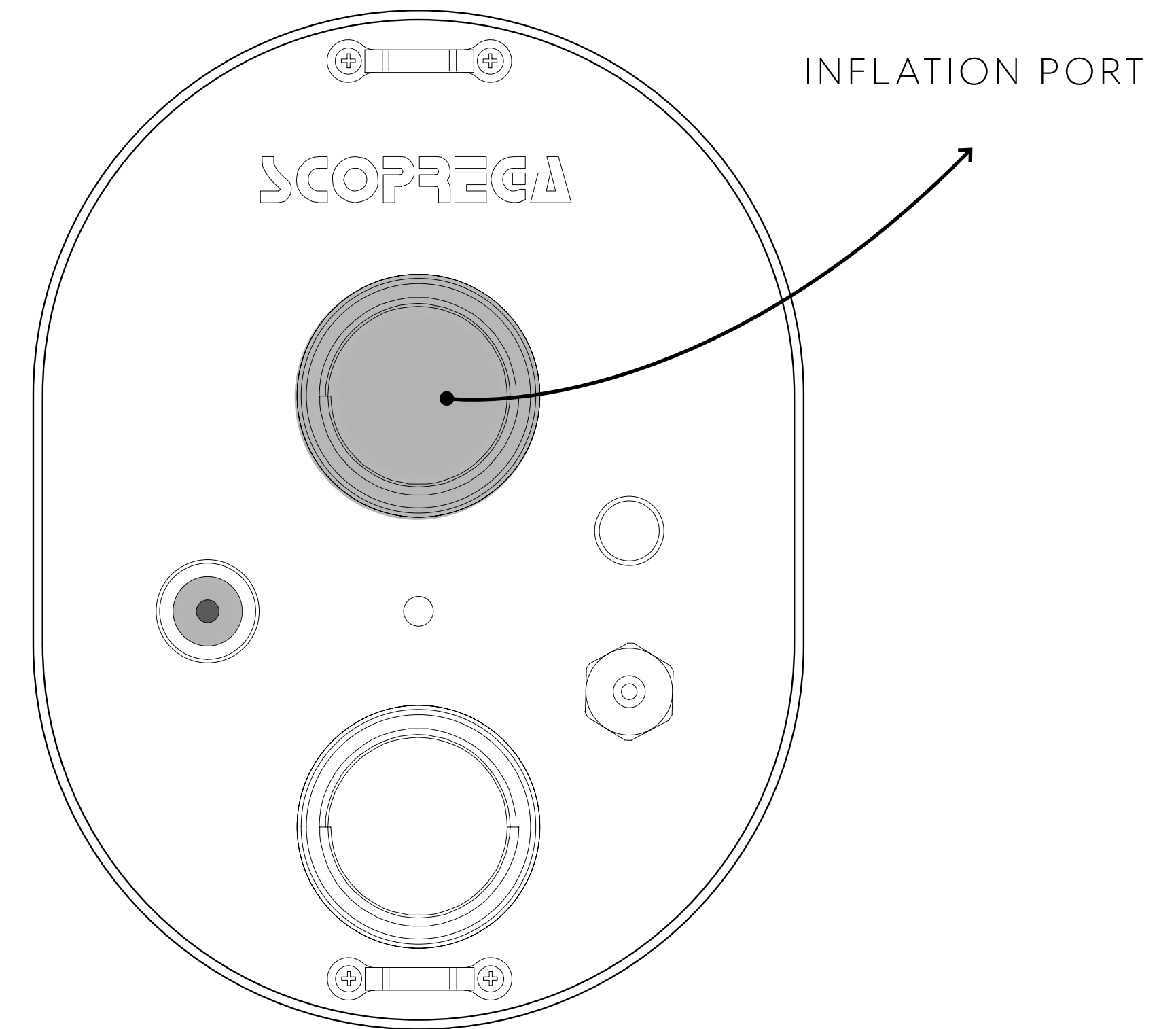
TO INFLATE:

To start the inflating phase by turning the power switch (Point 4, Fig. 1) to ON. Once the inflator is turned ON, the display will show the pressure that the inflatable should reach. At this point press the AUTO CYCLE button (Point 6, Fig. 2) and the LEDs will light up. After two seconds, the GE 900 A.R.S. will begin to inflate.

Turn off the inflator as soon as the inflatable reaches the required pressure.

N.B. Choose the most suitable adapter for the valve on the object to be inflated.

N.B. The inflator does not automatically stop



U S A G E A N D F U N C T I O N S

GE 900 A.R.S. 120V: GE4S0007
GE 900 A.R.S. 230V: K6131630

CHANGE THE OPERATING PRESSURE:

Press the MODE button (Step 3, Fig 1) to select the unit of measurement (mbar/psi/kPa/bar), then use the SET-/SET+ buttons to change the pressure value on the display.

After 2 seconds, the display stops flashing and the pressure is stored in memory. The pressure can be changed between 0 and 170 mbar.

CHANGE THE FILLING PRESSURE:

Pressing the MIN button will cause the display to start flashing and the filling pressure can be changed using the SET-/SET+ buttons.

After two seconds the display will stop flashing and the tolerance pressure is stored. There is a possibility to adjust the filling pressure up to 30 mbar from the operating pressure.

FOR CHANGING THE DISCHARGE PRESSURE:

Press the MAX button for 3 seconds, the display will start flashing. Use the SET-/SET+ buttons to change the value. After two seconds, the display will stop flashing and the value will be stored. There is an option to adjust the discharge pressure from 30 to 70 mbar relative to the operating pressure. After the changes are made, press AUTO CYCLE. The two LEDs turn on after two seconds and the red LED turns off. The green LED indicates that the GE 900 A.R.S.

will begin to inflate/discharge and recharge automatically.

With the automatic cycle activated (A.R.S. - LEDs lit), the unit will automatically check the pressure of the inflatable structure.

N.B. In the event of a power failure during operation, the inflator will NOT be able to retain the working settings. Once power is restored, it is NECESSARY to restart and reset the inflator's inflation settings.

N.B. Upper LED + lower LED lit indicates the inflating/deflating phase.

N.B. Upper LED + lower LED flashing indicates that the inflator is in the pressure monitoring phase.

N.B. Upper LED flashing and lower LED off indicate that the inflator is in refill phase after detecting that the pressure has fallen below the set threshold.

N.B. The lower LED flashing and the upper LED off indicates that the inflator is in the discharge phase because the detected pressure has risen above the set threshold.

USAGE AND FUNCTIONS

07

GE 900 A.R.S. 120V: GE4S0007

GE 900 A.R.S. 230V: K6131630

TO DEFLATE:

Connect the hose to the suction port (Step 3, Fig. 1).

Connect the hose to the valve of the inflatable unit. It is important to choose the proper fitting for the valve and check for air leaks.

Turn on the inflator by selecting ON on the main switch (Item 4, Fig. 1), then press the **AUTO CYCLE** button on the display (Item 6, Fig. 2) to start deflation. To stop deflation, press on the AUTO CYCLE button again.

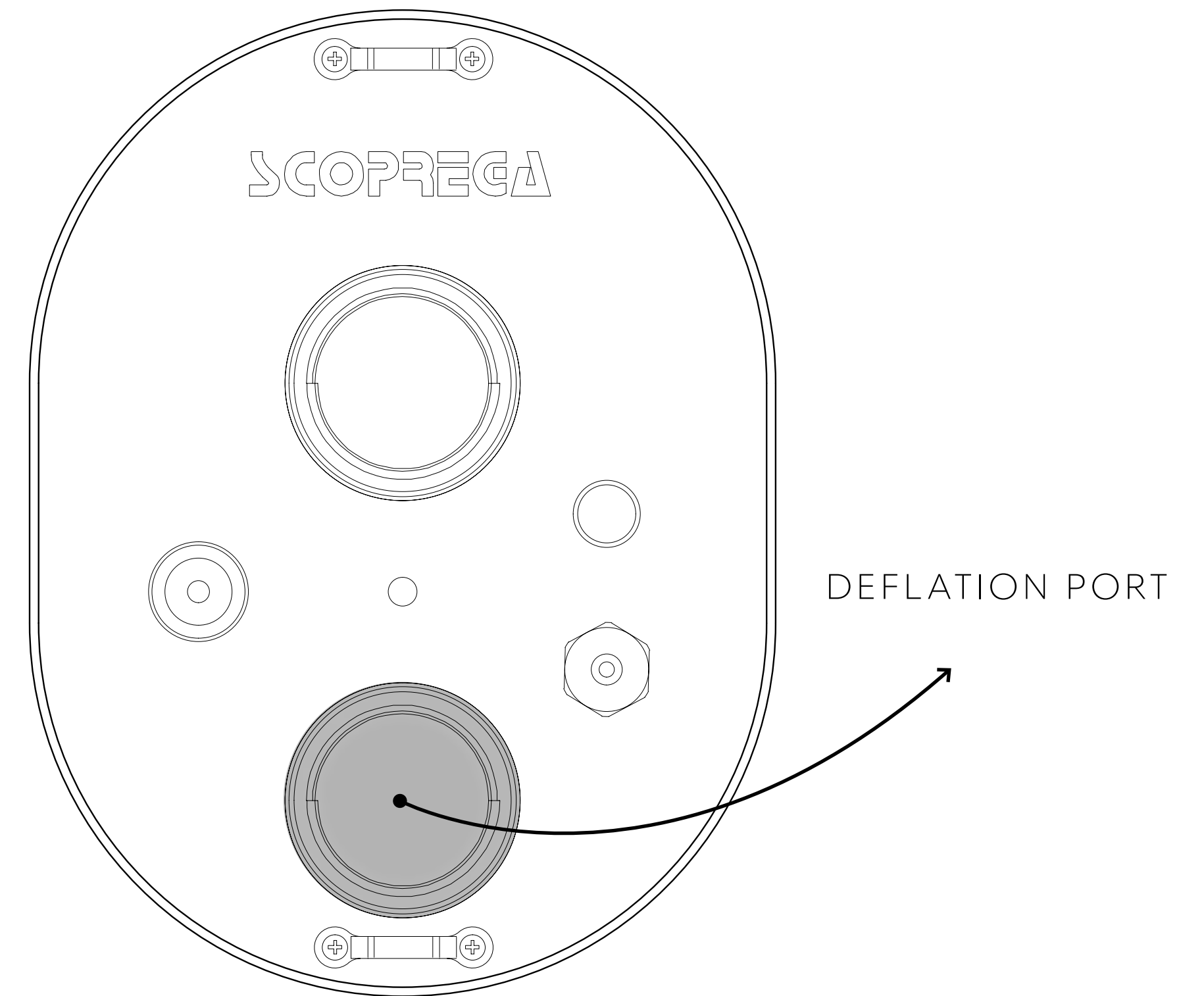
Turn off the inflator once deflation is complete by turning the main switch (Point 4, Fig. 1) to OFF.

NB: The inflator will not stop automatically.

NB: In case of overheating due to prolonged use, the inflator will automatically stop to prevent damage to its components.

NB: Consider the maximum and proper inflation pressure of the inflatable.

NB: The inflator can be damaged by sand, dust or water getting inside the inlet port. this will cause overheating and damage to the internal components. if this happens, turn off the inflator immediately.



GENERAL SAFETY RULES

08

GE 900 A.R.S. 120V: GE4S0007

GE 900 A.R.S. 230V: K6131630

1. ALWAYS CONSIDER THE WORKING ENVIRONMENT.

Do not expose the inflator to rain. Do not use in the presence of flammable liquids or gases.

2. AVOID ACCIDENTAL START-UP.

Do not start the inflator with the inlet port in contact with dust or water.

3. PAY ATTENTION.

Pay attention to what you are doing. Use common sense.

4. CHECK FOR DAMAGED PARTS.

Before using the inflator, carefully inspect the outer walls and components.

5. DO NOT START portable inflators near flammable liquids or gas or explosive atmospheres. The motors of these inflators produce sparks that can release fumes.

6. BE CAREFUL NOT TO INHALE!

Compressed air from the inflator is not pure. Never inhale air from the inflator.

7. WARNING! DANGER OF BURSTING.

Only inflate the inflatable unit in accordance with the manufacturer's recommendations. Excessive pressure can cause the inflatable unit to explode, which may result in personal injury.

8. NEVER LEAVE THE DEVICE UNATTENDED.

Overinflation can cause serious injury and property damage.

9. WARNING! DANGER OF UNSAFE OPERATION

Do not modify or attempt to repair the unit. Do not puncture or make modifications to the inflator or its accessories. Any modification to the product will invalidate the warranty.

10. NEVER CARRY THE INFLATOR BY THE HOSE OR POWER CORD.

TROUBLESHOOTING

09

GE 900 A.R.S. 120V: GE4S0007
 GE 900 A.R.S. 230V: K6131630

PROBLEM	CAUSE	SOLUTION
The inflator does not start	Power supply not connected	Connect the power supply
	the ON button was not pressed	Pressed the ON button
	The inflator is damaged	Contact the SCOPREGA service
PROBLEM	CAUSE	SOLUTION
The inflator does not inflate/deflate	Power supply not connected	Connect the power supply
	Incorrect connection of the hose	Connect the hose to the correct port.
	Incorrect setting pressure	Change pressure setting
	High temperature of the motor	Wait for it to temperature to drop



A10 ACCESSORIES

GE 900 A.R.S. 120V: GE4S0007
GE 900 A.R.S. 230V: K6131630

All the different accessories to go with the inflator purchased separately at www.scoprega.it:



Shoulder strap

GE 900 AA +

1. INTRODUCTION
2. FUNCTIONAL DESCRIPTION
3. PRELIMINARY WARNINGS
4. TECHNICAL DATA
5. RECOMMENDED USES
6. INSTALLATION
7. USAGE AND FUNCTIONS
8. GENERAL SAFETY RULES
9. TROUBLESHOOTING
10. ACCESSORIES



I N T R O D U C T I O N

01

GE 900 AA+ 120V: GE4S0004

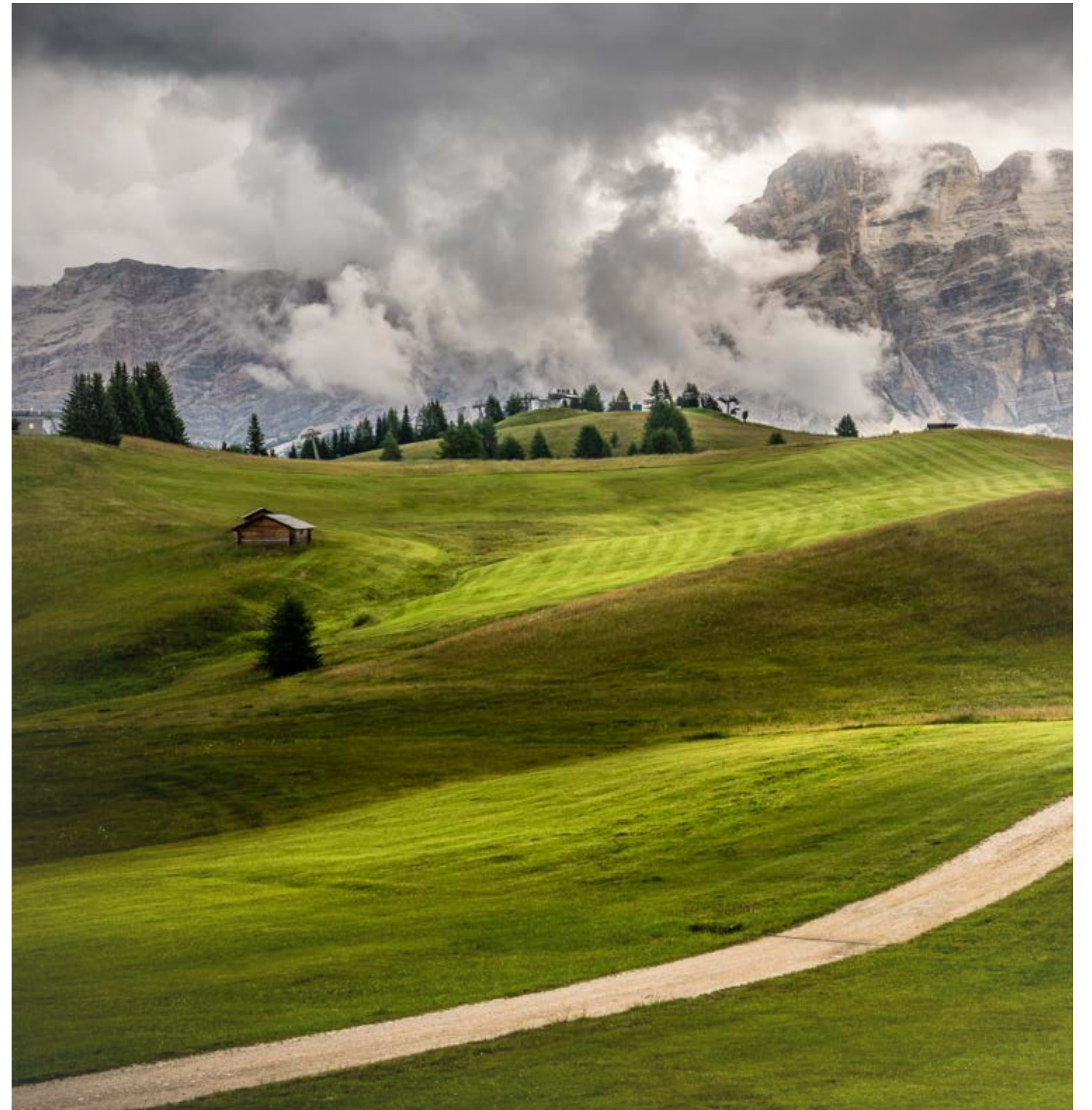
GE 900 AA+ 230V: K6131610

GE 900 AA +

The GE 900 AA+ is an electric inflator **designed to inflate and deflate inflatable products of various sizes for a wide variety of applications.**

It can reach a **maximum pressure of 250mbar with a flow rate of 1700 l/min.**

A great advantage of this inflator is definitely that it operates with a significantly **reduced noise impact of a maximum of 85dB.**



FUNCTIONAL DESCRIPTION

02

GE 900 AA+ 120V: GE4S0004

GE 900 AA+ 230V: K6131610



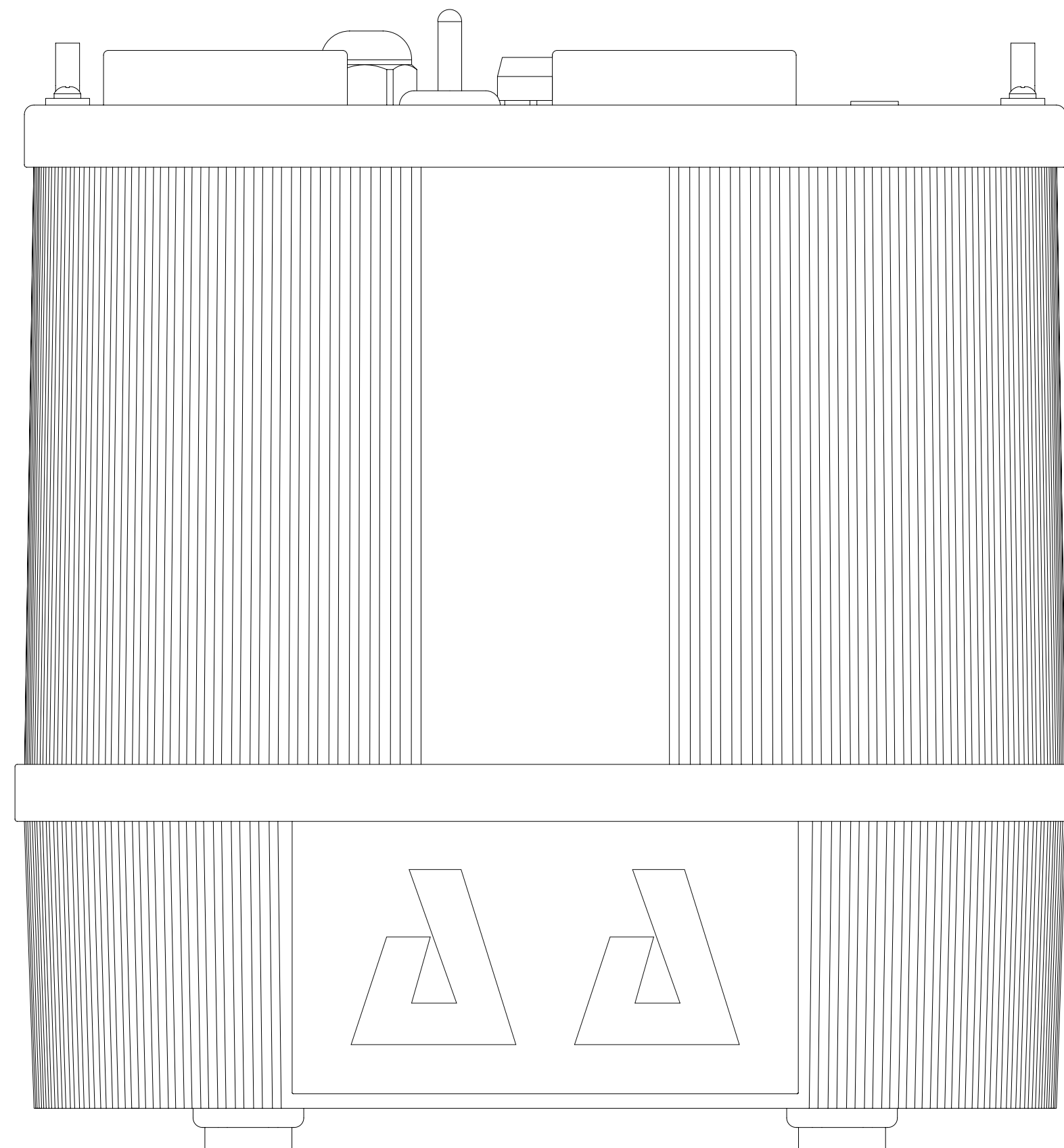
FIG.1

PRELIMINARY WARNINGS

03

GE 900 AA+ 120V: GE4S0004

GE 900 AA+ 230V: K6131610



- 1.** Follow all instructions in this document.
- 2.** Keep these instructions.
- 3.** Do not obstruct the air vents.
- 4.** Always protect the power cord.
- 5.** Do not open the inflator. Have all maintenance activities performed by qualified maintenance technicians authorized by Scoprega. Maintenance is required when the unit is found to be in any way damaged or inoperative.
- 6.** Do not tamper with the product. Opening the inflator will result in the voiding of the warranty.
- 7.** Provide adequate ventilation.
- 8.** Avoid placing objects in the vicinity of the product during its operation.
- 9.** Keep this product out of the reach of children.
- 10.** The inflator in motion produces vibration so to avoid accidental falls, we recommend using it on the floor.
- 11.** This appliance is not intended for use by persons (including children) with reduced physical, sensory or mental capabilities, or lack of experience and knowledge, unless they have been given supervision or instruction concerning use of the appliance by a person responsible for their safety.
- 12.** Children should be supervised to prevent them from playing with the appliance.

T E C H N I C A L D A T A

04

GE 900 AA+ 120V: GE4S0004

GE 900 AA+ 230V: K6131610

GE 900 AA+

MAX PRESSURE: 250 mbar (3,6 psi)

MAX AIR FLOW: 1700 l/m

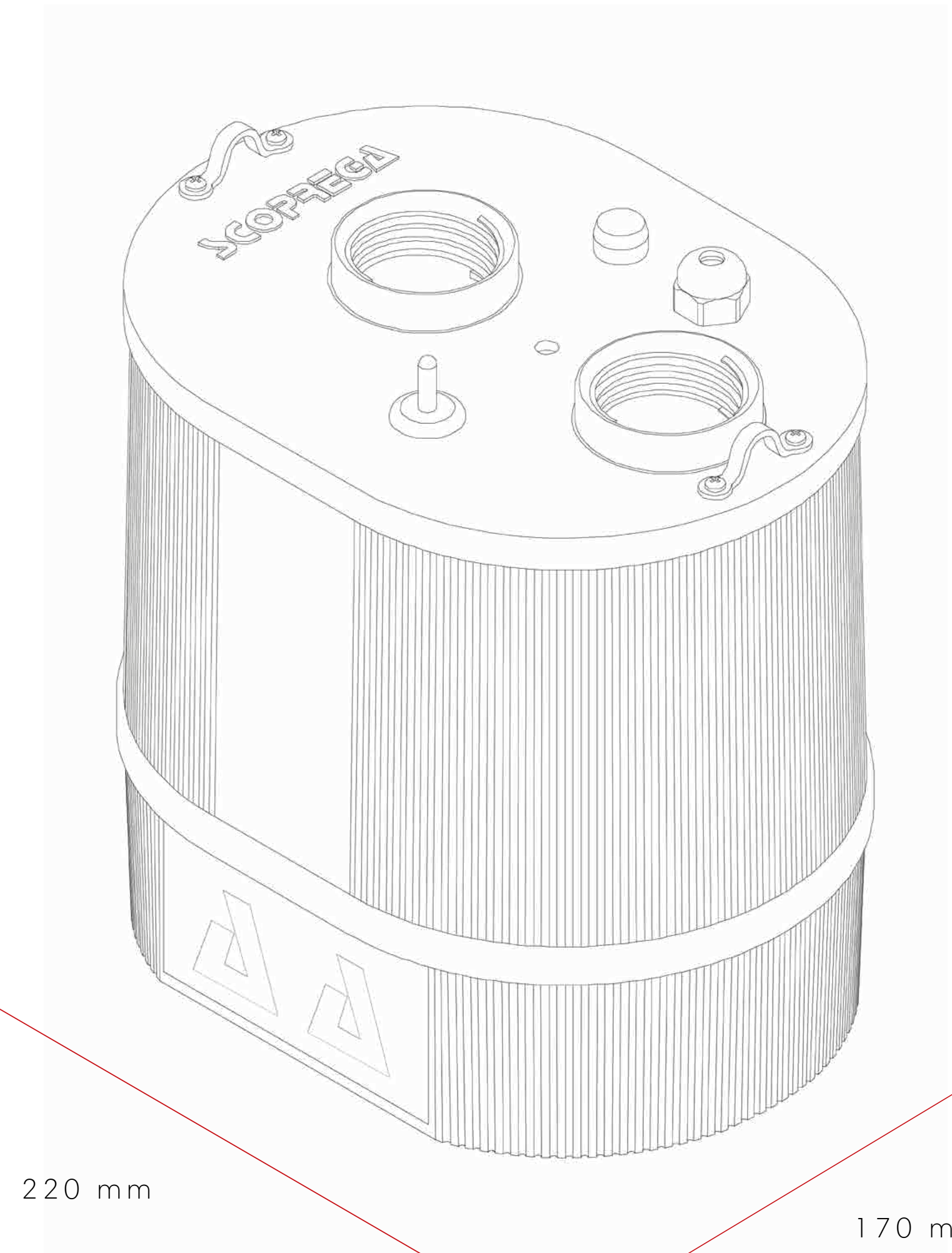
CHARGE VOLTAGE: 120 Vac 60 Hz | 230 Vac 50 Hz

MAX CURRENT: 8 A (120 Vac) | 4 A (230 Vac)

WEIGHT: 2,4 Kg

FUNCTION: Inflate/Deflate

250 mm



220 mm

170 mm

RECOMMENDED USES

05

GE 900 AA+ 120V: GE4S0004

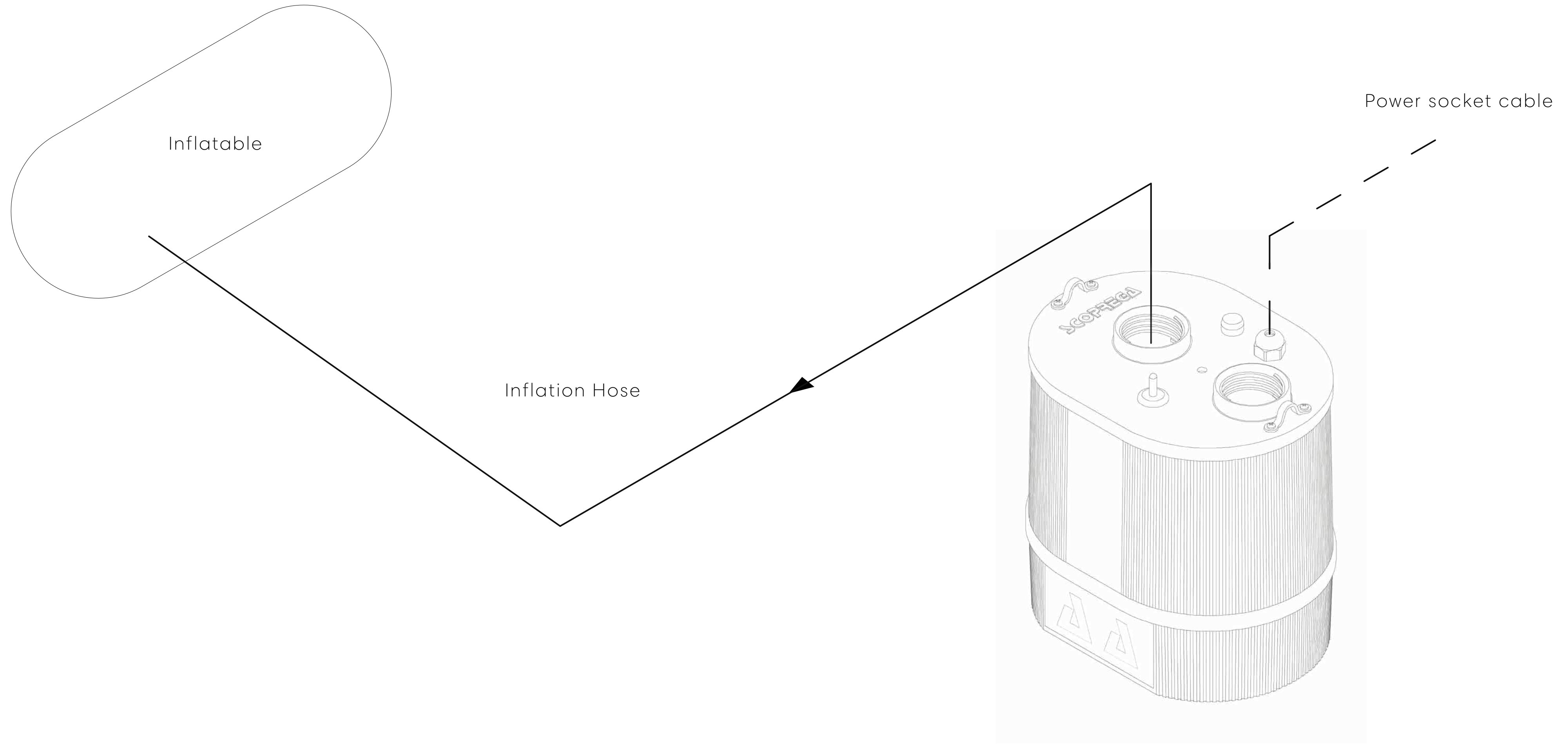
GE 900 AA+ 230V: K6131610

The GE 900 AA+ represents the **ideal inflator for tents, games, inflatable structures and inflatable barriers up to a maximum of 250 mbar.**



INSTALLATION

GE 900 AA+ 120V: GE4S0004
GE 900 AA+ 230V: K6131610



U S A G E A N D F U N C T I O N S

07

GE 900 AA+ 120V: GE4S0004

GE 900 AA+ 230V: K6131610

TO USE:

Connect one end of the hose to the inflation port (Point 1, Fig. 1), and the other end to the valve of the inflatable.

Having made the connections, connect the inflator to the power supply and press the ON/OFF button (Item 4, Fig 1).

N.B. Check that the inflation hose is always connected to the inflator and the inflatable.

N.B. It is important to choose the proper fitting for the valve and check for air leakage.

N.B. If the power cord is damaged, it should be replaced by the manufacturer, its service agent or similarly qualified persons in order to avoid a hazard.



USAGE AND FUNCTIONS

07

GE 900 AA+ 120V: GE4S0004

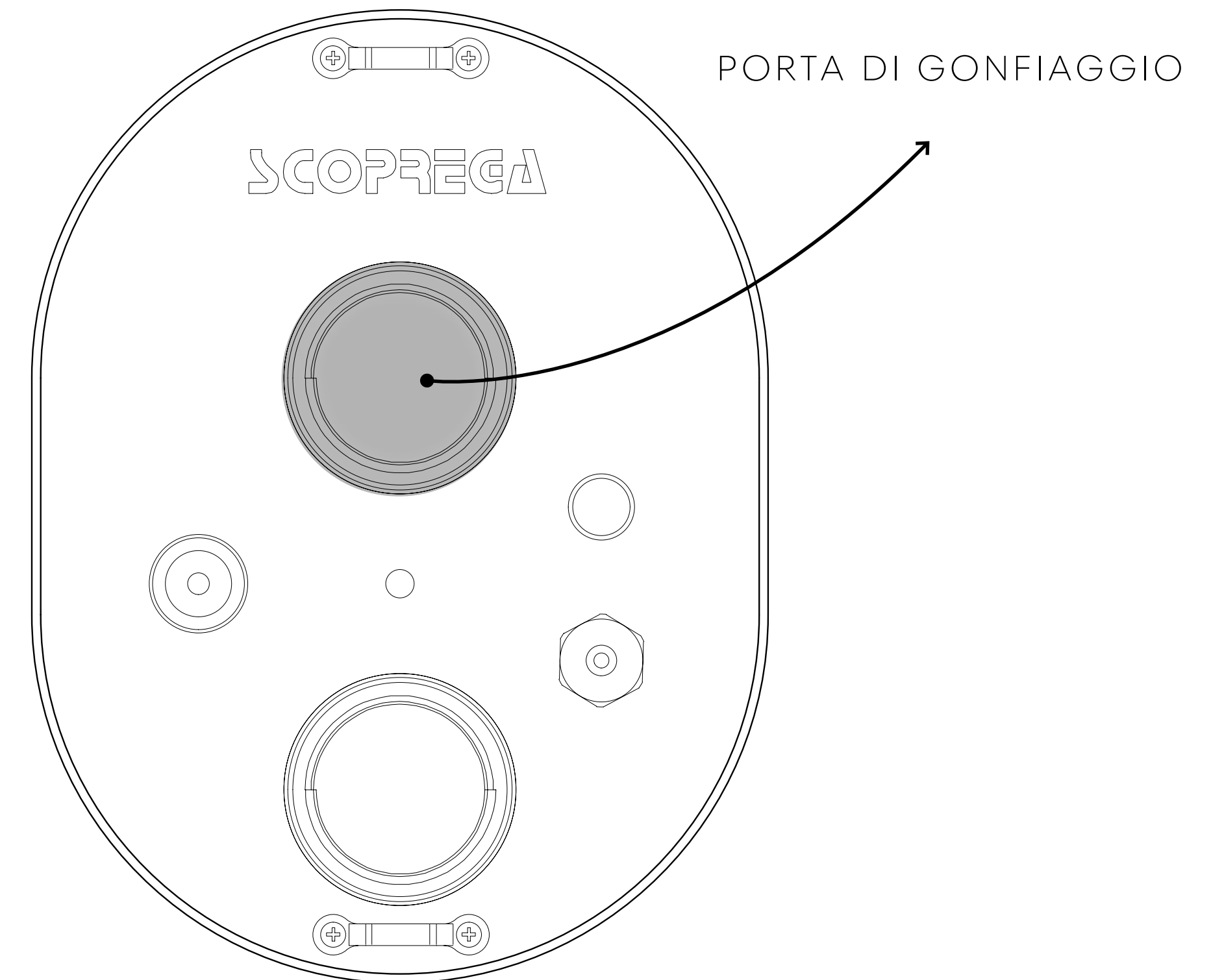
GE 900 AA+ 230V: K6131610

TO INFLATE:

To start the inflating phase by turning the power switch (Step 4, Fig. 1) to ON. Turn off the inflator as soon as the inflatable reaches the required pressure.

N.B. Choose the most suitable adapter for the valve on the object to be inflated.

N.B. The inflator does not automatically stop.



USAGE AND FUNCTIONS

07

GE 900 AA+ 120V: GE4S0004

GE 900 AA+ 230V: K6131610

TO DEFLATE:

Connect the hose to the suction port (Step 3, Fig. 1).

Connect the hose to the valve of the inflatable unit. It is important to choose the proper fitting for the valve and make sure there are no air leaks.

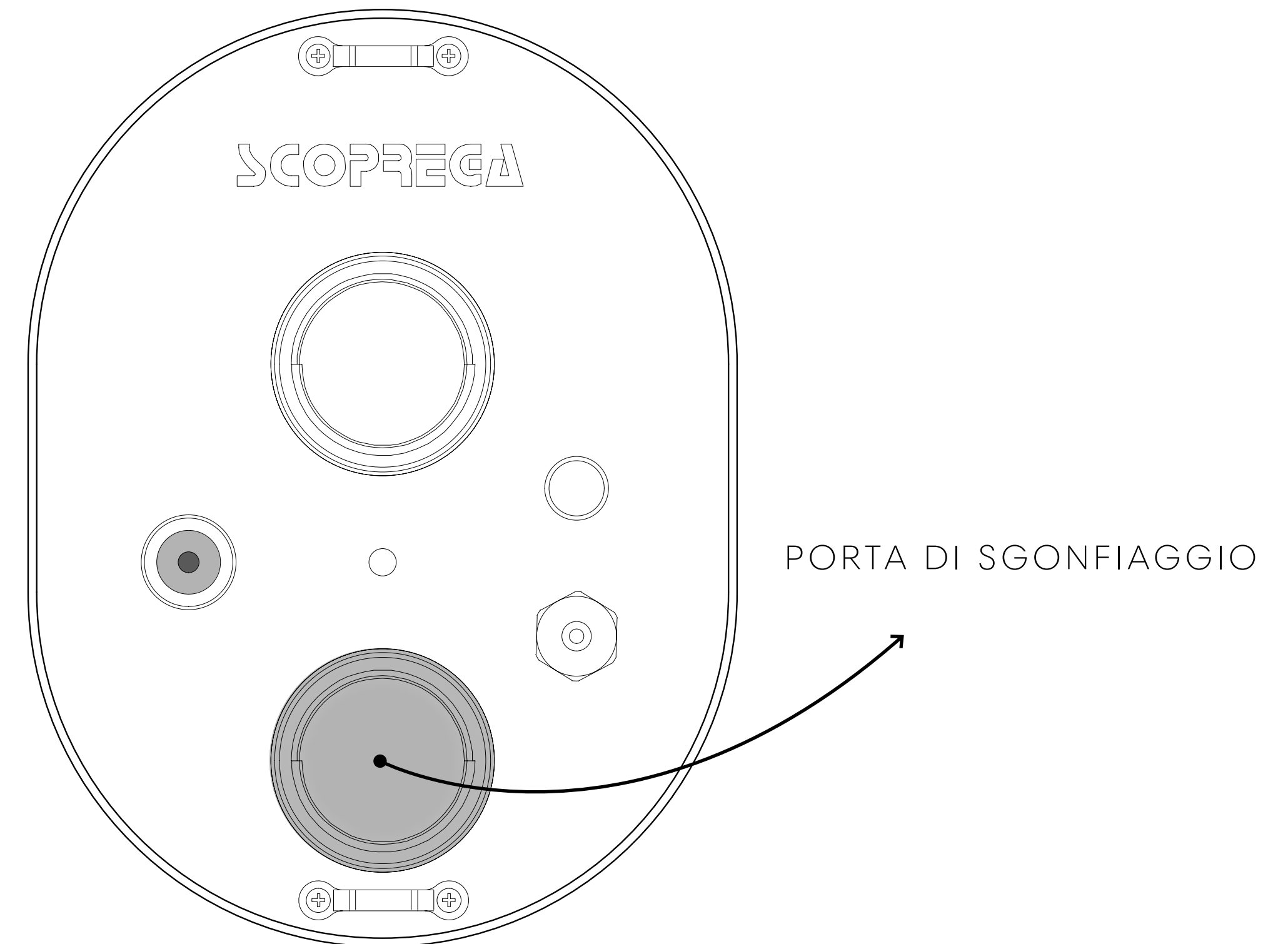
Make sure there are no bottlenecks, obstructions or leaks in the air path. Then turn on the inflator by selecting ON on the power switch (Step 4, Fig. 1).

When deflation is complete, turn off the inflator by selecting OFF on the power switch (Step 4, Fig. 1).

NB: The inflator will not stop automatically.

NB: In case of overheating due to prolonged use, the inflator will automatically stop to prevent damage to its components.

NB: The inflator can be damaged due to sand, dust or water getting inside the inlet port. this will cause overheating and damage to internal components. if this happens, turn off the inflator immediately.



GENERAL SAFETY RULES

08

GE 900 AA+ 120V: GE4S0004

GE 900 AA+ 230V: K6131610

1. ALWAYS CONSIDER THE WORKING ENVIRONMENT.

Do not expose the inflator to rain. Do not use in the presence of flammable liquids or gases.

2. AVOID ACCIDENTAL START-UP.

Do not start the inflator with the inlet port in contact with dust or water.

3. PAY ATTENTION.

Pay attention to what you are doing. Use common sense.

4. CHECK FOR DAMAGED PARTS.

Before using the inflator, carefully inspect the outer walls and components.

5. DO NOT START portable inflators near flammable liquids or gas or explosive atmospheres. The motors of these inflators produce sparks that can release fumes.

6. BE CAREFUL NOT TO INHALE!

Compressed air from the inflator is not pure. Never inhale air from the inflator.

7. WARNING! DANGER OF BURSTING.

Only inflate the inflatable unit in accordance with the manufacturer's recommendations. Excessive pressure can cause the inflatable unit to explode, which may result in personal injury.

8. NEVER LEAVE THE DEVICE UNATTENDED.

Overinflation can cause serious injury and property damage.

9. WARNING! DANGER OF UNSAFE OPERATION

Do not modify or attempt to repair the unit. Do not puncture or make modifications to the inflator or its accessories. Any modification to the product will invalidate the warranty.

10. NEVER CARRY THE INFLATOR BY THE HOSE OR POWER CORD.

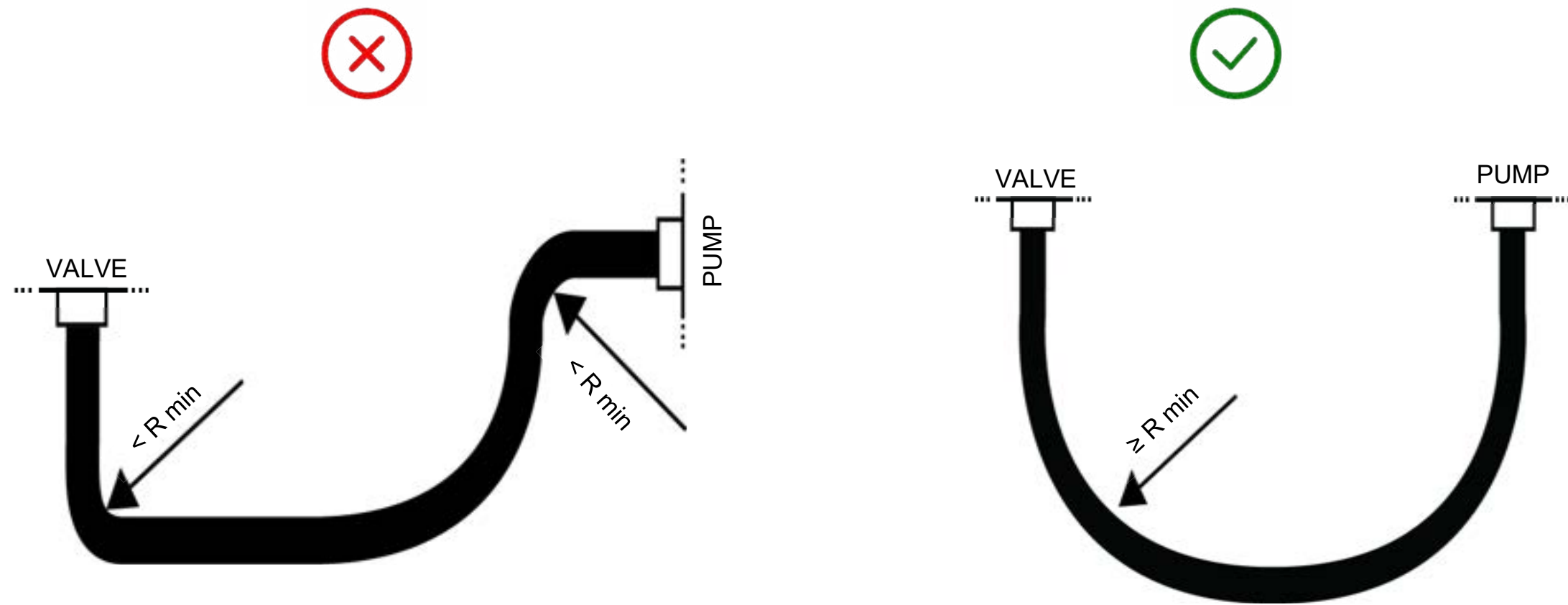
GENERAL SAFETY RULES

08

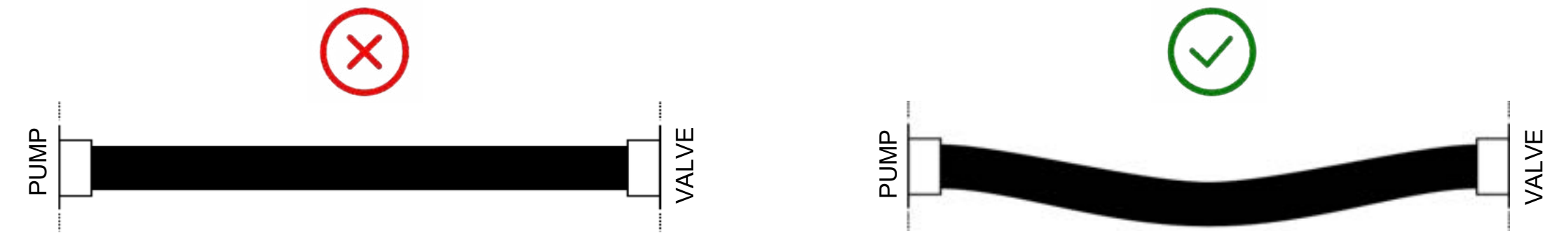
GE 900 AA+ 120V: GE4S0004
 GE 900 AA+ 230V: K6131610

HOSE INSTALLATION:

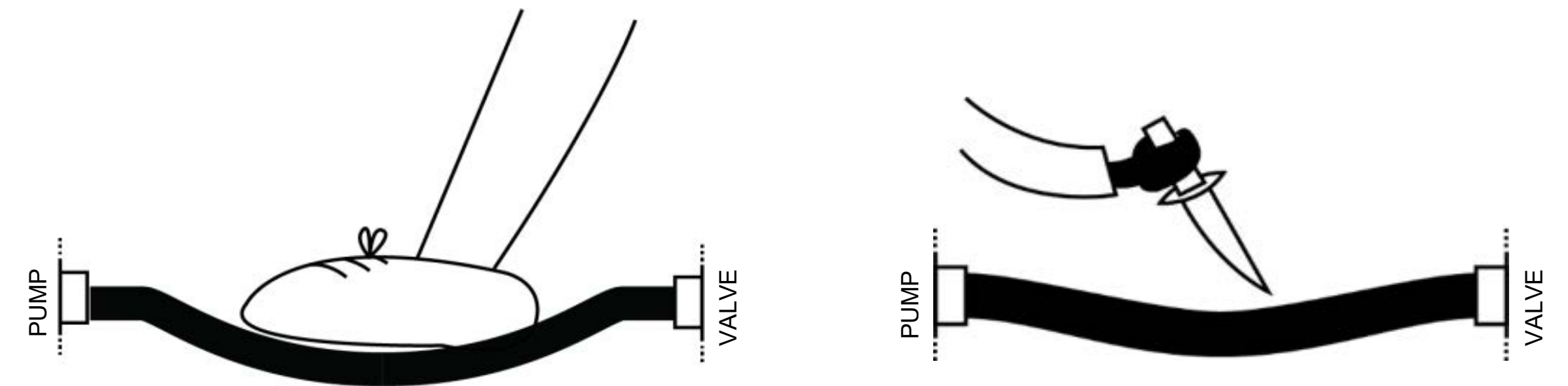
When installing a hose, it is important to follow certain rules. This is to achieve the best performance and avoid damage that could compromise the life of the hose.



N.B. The minimum bending radius is 40 mm / 1.57 inch. Installations below the minimum bend radius or excessive bending in the area of the fittings may break the hose.



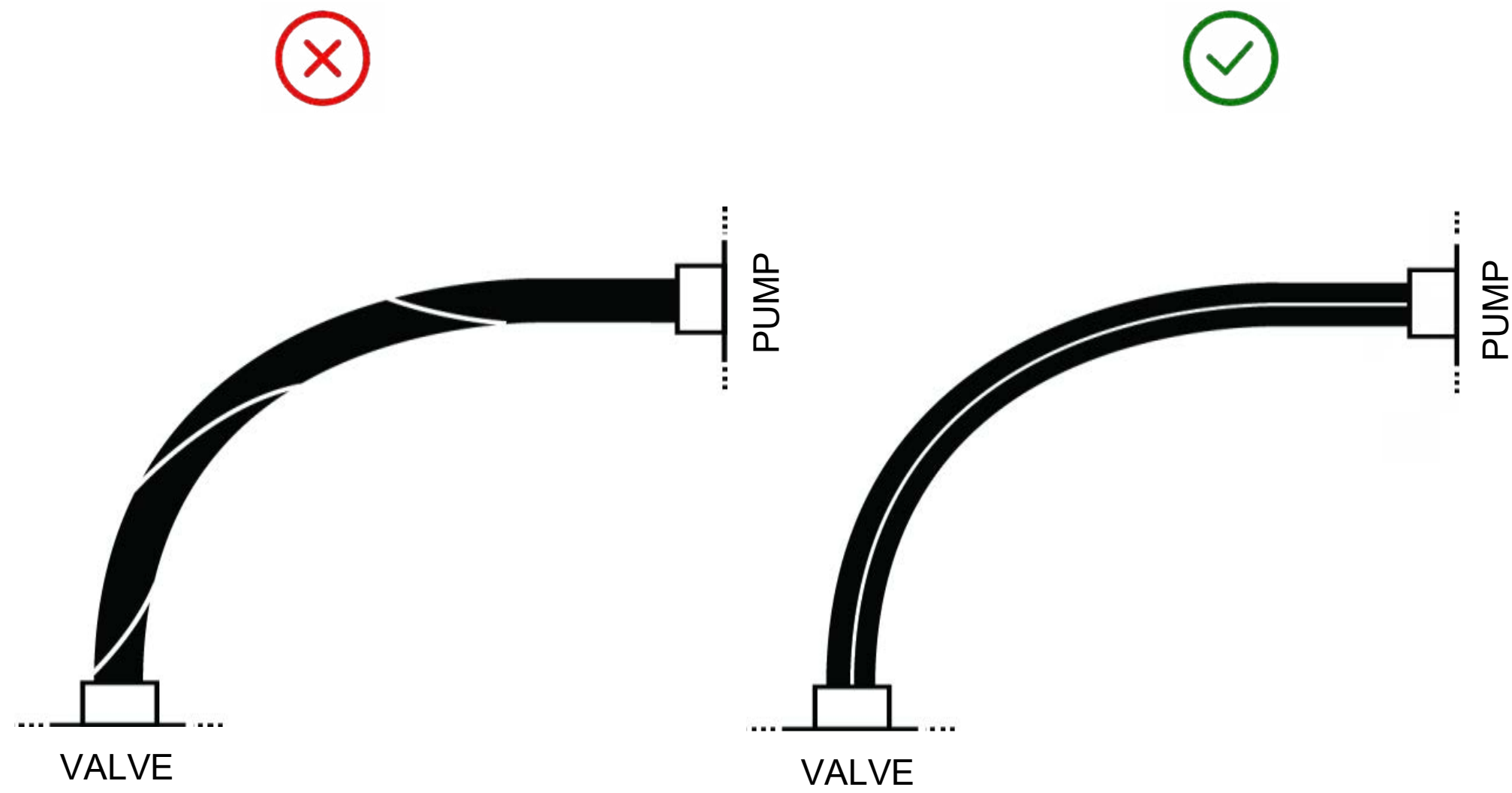
N.B. Assemble the hose so as to withstand length variations due to working pressure, pump movements and related tolerances. Avoid live assemblies.



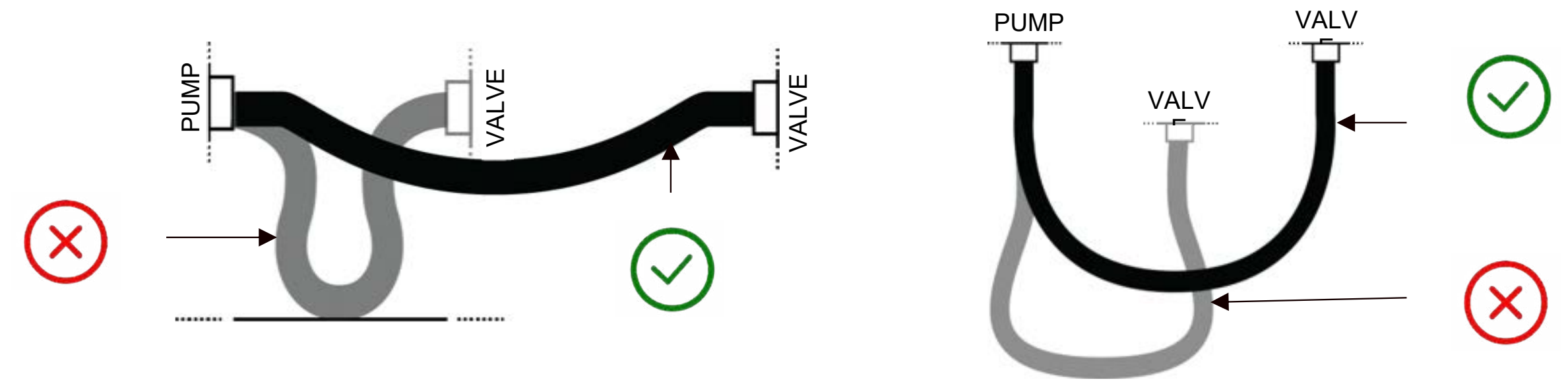
N.B. Avoid abrasions, bumps and cuts along the entire length of the hose during installation and use.

08 GENERAL SAFETY RULES

GE 900 AA+ 120V: GE4S0004
GE 900 AA+ 230V: K6131610



N.B. The life of a hose in twisting is greatly reduced.
To avoid twisting during installation and use, check that the spiral always follows a linear course.



N.B. The length of the hose should be such as to accommodate the motion and should not go below the minimum bending radius.
The hose allows relative movements between two connected sources.
Avoid abrasion, tension and twisting during installation and use.

TROUBLESHOOTING

09

GE 900 AA+ 120V: GE4S0004
 GE 900 AA+ 230V: K6131610

PROBLEM	CAUSE	SOLUTION
The inflator does not start	Power supply not connected	Connect the power supply
	the ON button was not pressed	Pressed the ON button
	The inflator is damaged	Contact the SCOPREGA service
PROBLEM	CAUSE	SOLUTION
The inflator does not inflate/deflate	Power supply not connected	Connect the power supply
	Incorrect connection of the hose	Connect the hose to the correct port.
	Incorrect setting pressure	Change pressure setting
	High temperature of the motor	Wait for it to temperature to drop



A10 ACCESSORIES

GE 900 AA+ 120V: GE4S0004
GE 900 AA+ 230V: K6131610

Various accessories can be found inside the box including:



Shoulder strap



Hose



Fittings

GE 900 AA + / 40

1. INTRODUCTION
2. FUNCTIONAL DESCRIPTION
3. PRELIMINARY WARNINGS
4. TECHNICAL DATA
5. RECOMMENDED USES
6. INSTALLATION
7. USAGE AND FUNCTIONS
8. GENERAL SAFETY RULES
9. TROUBLESHOOTING
10. ACCESSORIES



INTRODUCTION

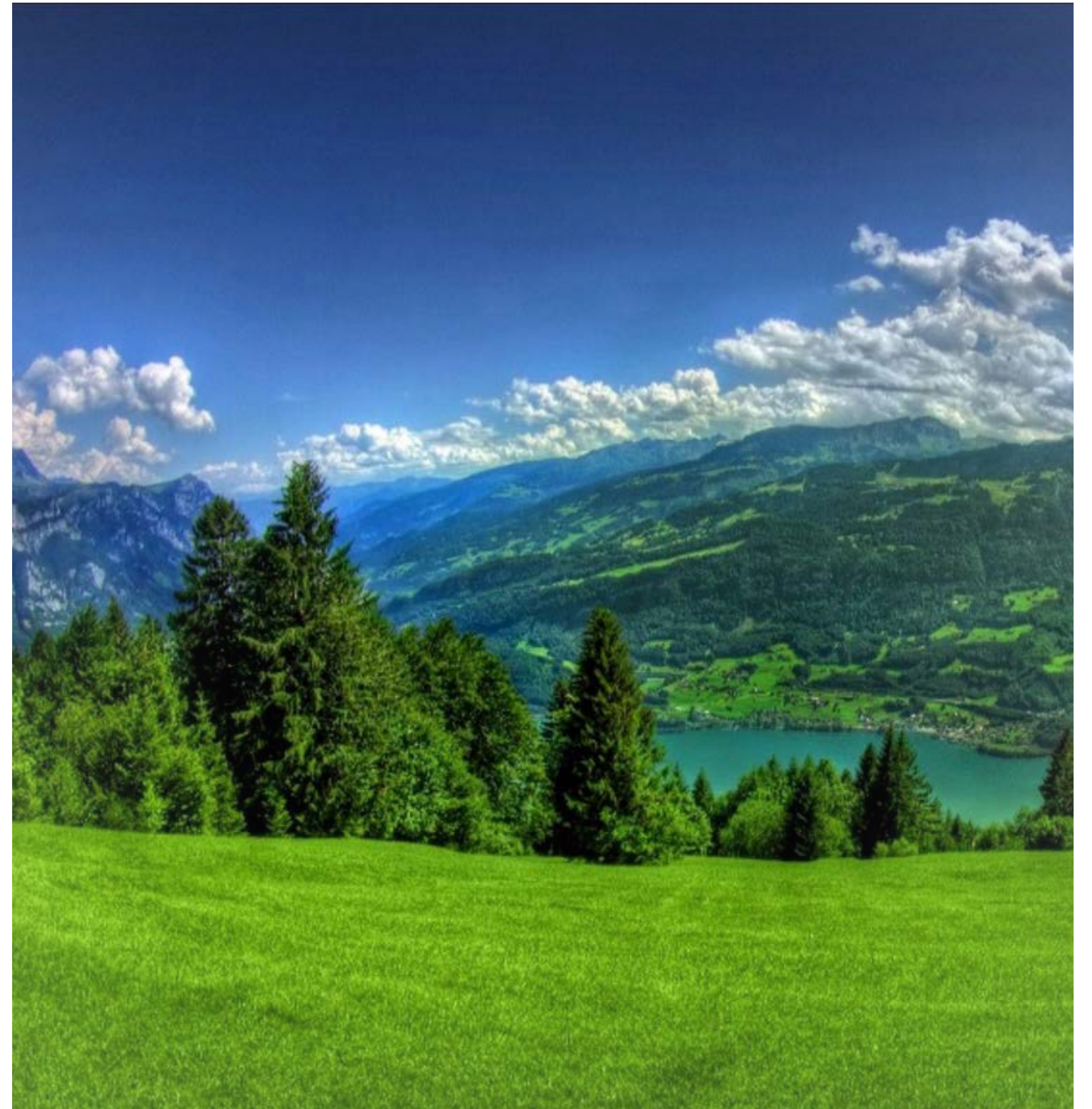
GE 900 AA+/40 230V: GE4S0005

GE 900 AA + / 40

The GE 900 AA+ 40 is an electric inflator **designed to inflate and deflate inflatable products of various sizes for a wide variety of applications.**

It can reach a **maximum pressure of 250mbar with a flow rate of 1700 l/min.**

A great advantage of this inflator is definitely that it operates with a significantly **reduced noise impact of a maximum of 85dB.**



FUNCTIONAL DESCRIPTION

02

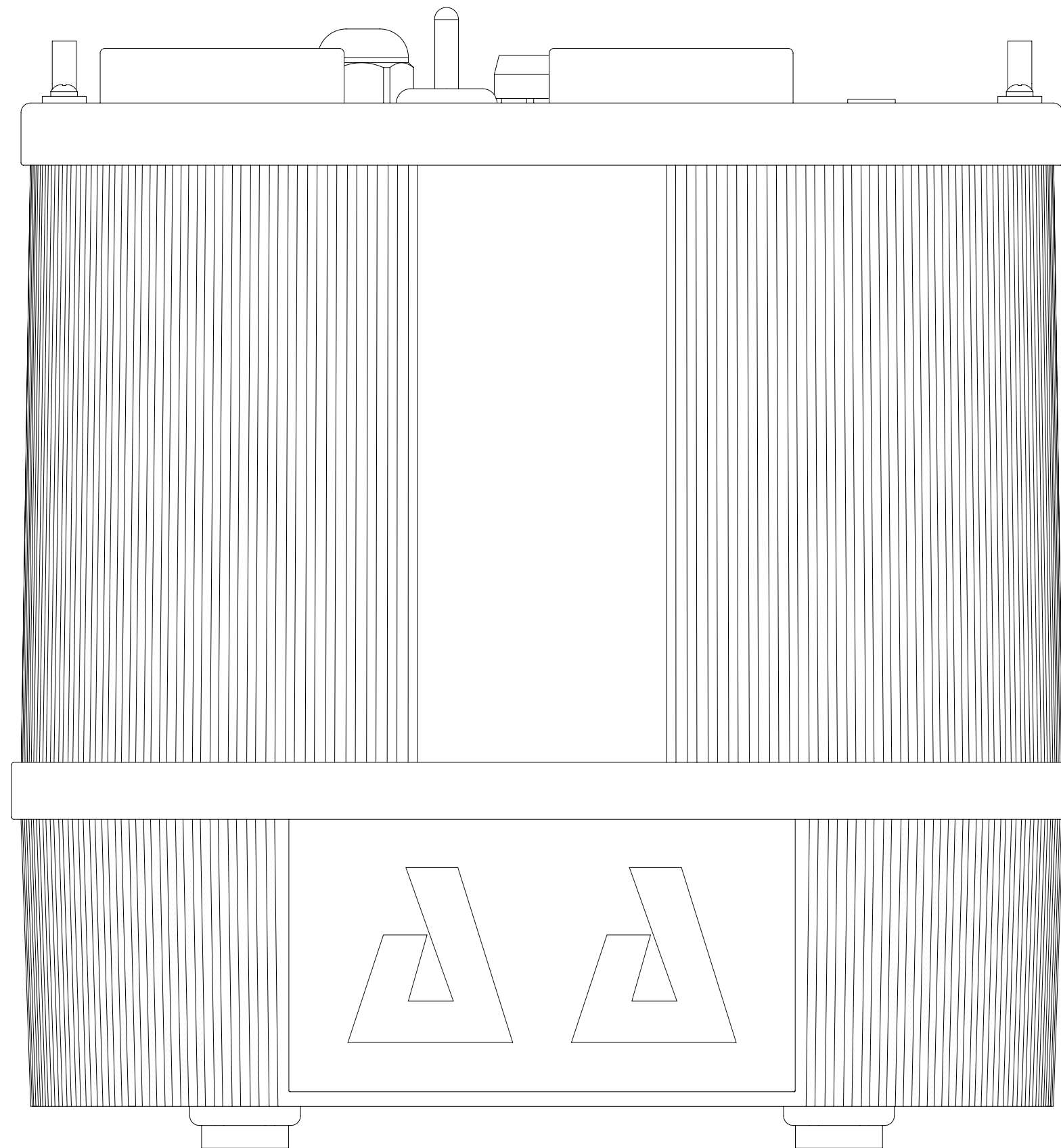
GE 900 AA+/40 230V: GE4S0005



FIG.1

PRELIMINARY WARNINGS

GE 900 AA+/40 230V: GE4S0005



- 1.** Follow all instructions in this document.
- 2.** Keep these instructions.
- 3.** Do not obstruct the air vents.
- 4.** Always protect the power cord.
- 5.** Do not open the inflator. Have all maintenance activities performed by qualified maintenance technicians authorized by Scoprega. Maintenance is required when the unit is found to be in any way damaged or inoperative.
- 6.** Do not tamper with the product. Opening the inflator will result in the voiding of the warranty.
- 7.** Provide adequate ventilation.
- 8.** Avoid placing objects in the vicinity of the product during its operation.
- 9.** Keep this product out of the reach of children.
- 10.** The inflator in motion produces vibration so to avoid accidental falls, we recommend using it on the floor.
- 11.** This appliance is not intended for use by persons (including children) with reduced physical, sensory or mental capabilities, or lack of experience and knowledge, unless they have been given supervision or instruction concerning use of the appliance by a person responsible for their safety.
- 12.** Children should be supervised to prevent them from playing with the appliance.

TECHNICAL DATA

04

GE 900 AA+/40 230V: GE4S0005

GE 900 AA+

MAX PRESSURE: 250 mbar (3,6 psi)

MAX AIR FLOW: 1700 l/m

CHARGE VOLTAGE: 120 Vac 60 Hz | 230 Vac 50 Hz

MAX CURRENT: 8 A (120 Vac) | 4 A (230 Vac)

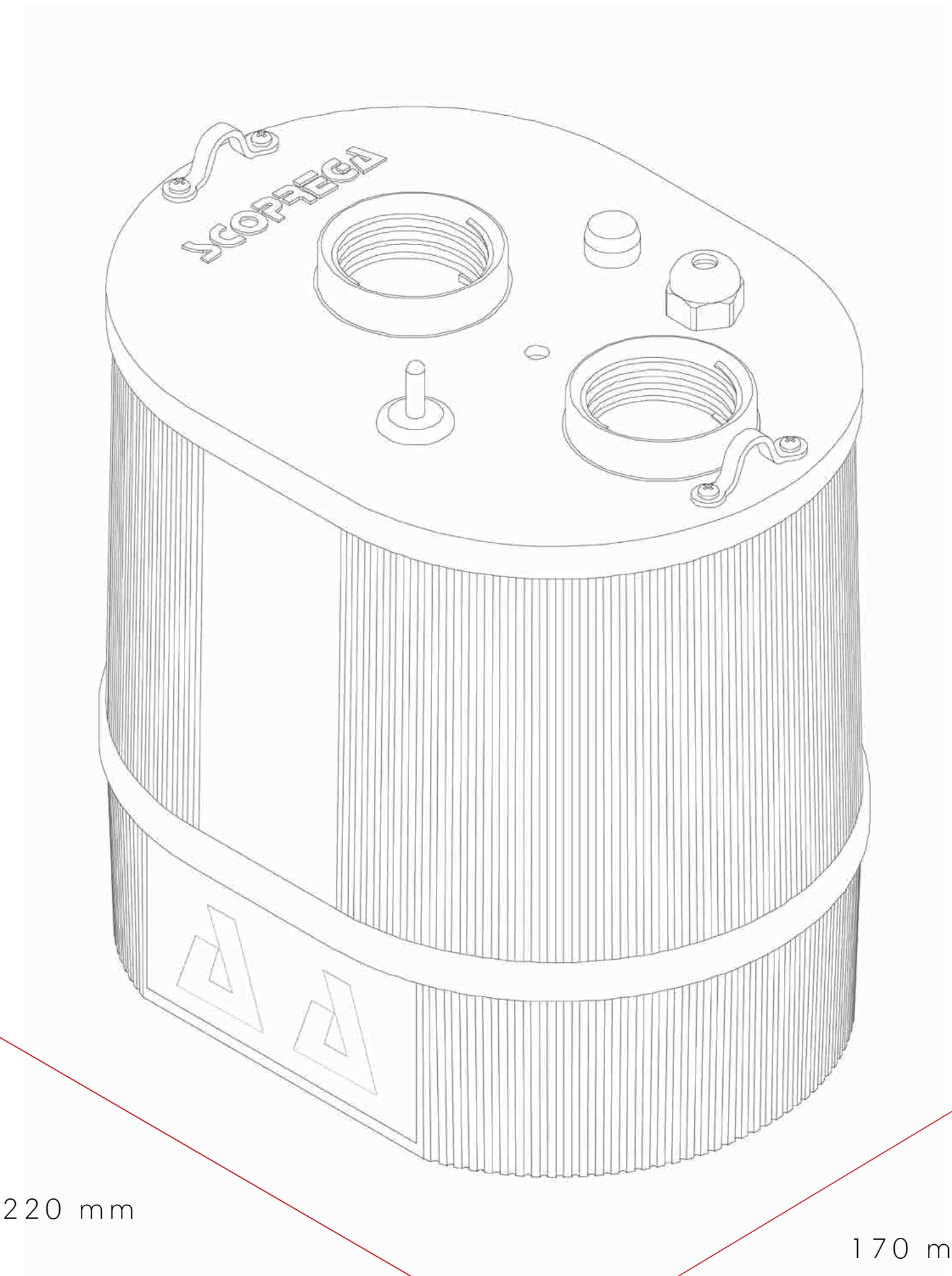
WEIGHT: 2,4 Kg

FUNCTION: Inflate/Deflate

250 mm

220 mm

170 mm



RECOMMENDED USES

05

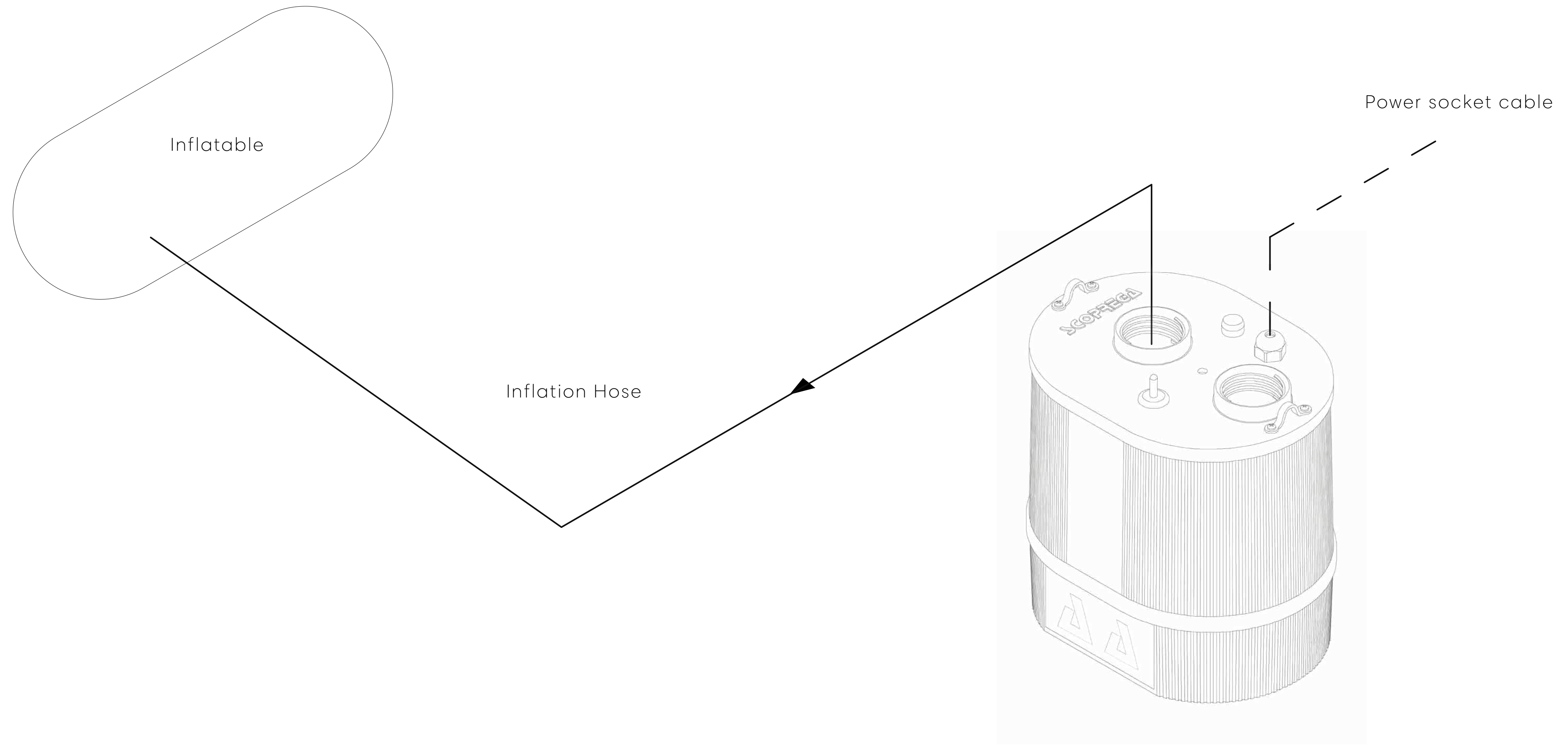
GE 900 AA+/40 230V: GE4S0005

The GE 900 AA+ represents the **ideal inflator for tents, games, inflatable structures and inflatable barriers up to a maximum of 250 mbar.**



INSTALLATION

GE 900 AA+/40 230V: GE4S0005



U S A G E A N D F U N C T I O N S

07 GE 900 AA+/40 230V: GE4S0005

TO USE:

Connect one end of the hose to the inflation port (Point 1, Fig. 1), and the other end to the valve of the inflatable.

Having made the connections, connect the inflator to the power supply and press the ON/OFF button (Item 4, Fig 1).

N.B. Check that the inflation hose is always connected to the inflator and the inflatable.

N.B. It is important to choose the proper fitting for the valve and check for air leakage.

N.B. If the power cord is damaged, it should be replaced by the manufacturer, its service agent or similarly qualified persons in order to avoid a hazard.



USAGE AND FUNCTIONS

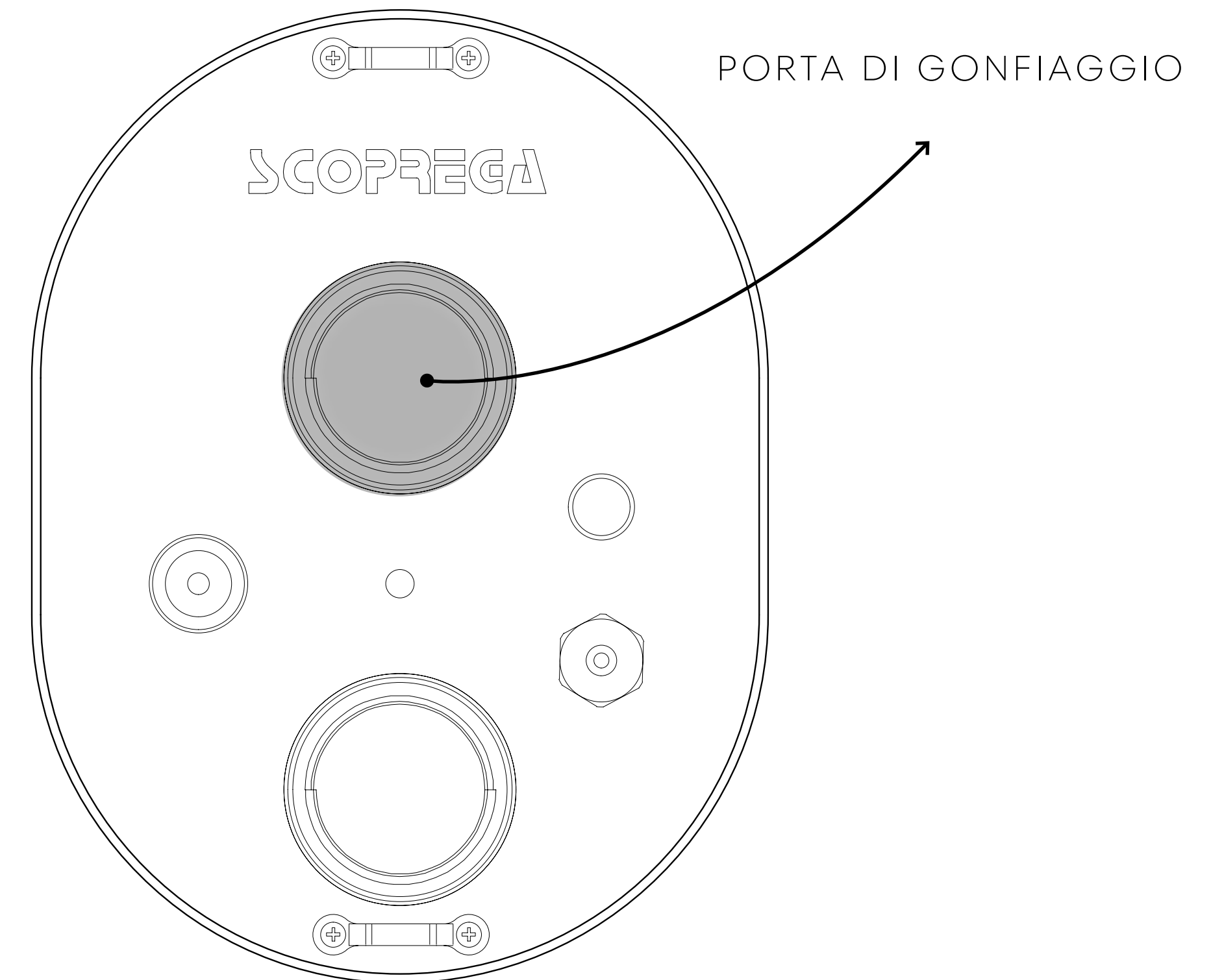
GE 900 AA+/40 230V: GE4S0005

TO INFLATE:

To start the inflating phase by turning the power switch (Step 4, Fig. 1) to ON. Turn off the inflator as soon as the inflatable reaches the required pressure.

N.B. Choose the most suitable adapter for the valve on the object to be inflated.

N.B. The inflator does not automatically stop.



USAGE AND FUNCTIONS

GE 900 AA+/40 230V: GE4S0005

TO DEFLATE:

Connect the hose to the suction port (Step 3, Fig. 1).

Connect the hose to the valve of the inflatable unit. It is important to choose the proper fitting for the valve and make sure there are no air leaks.

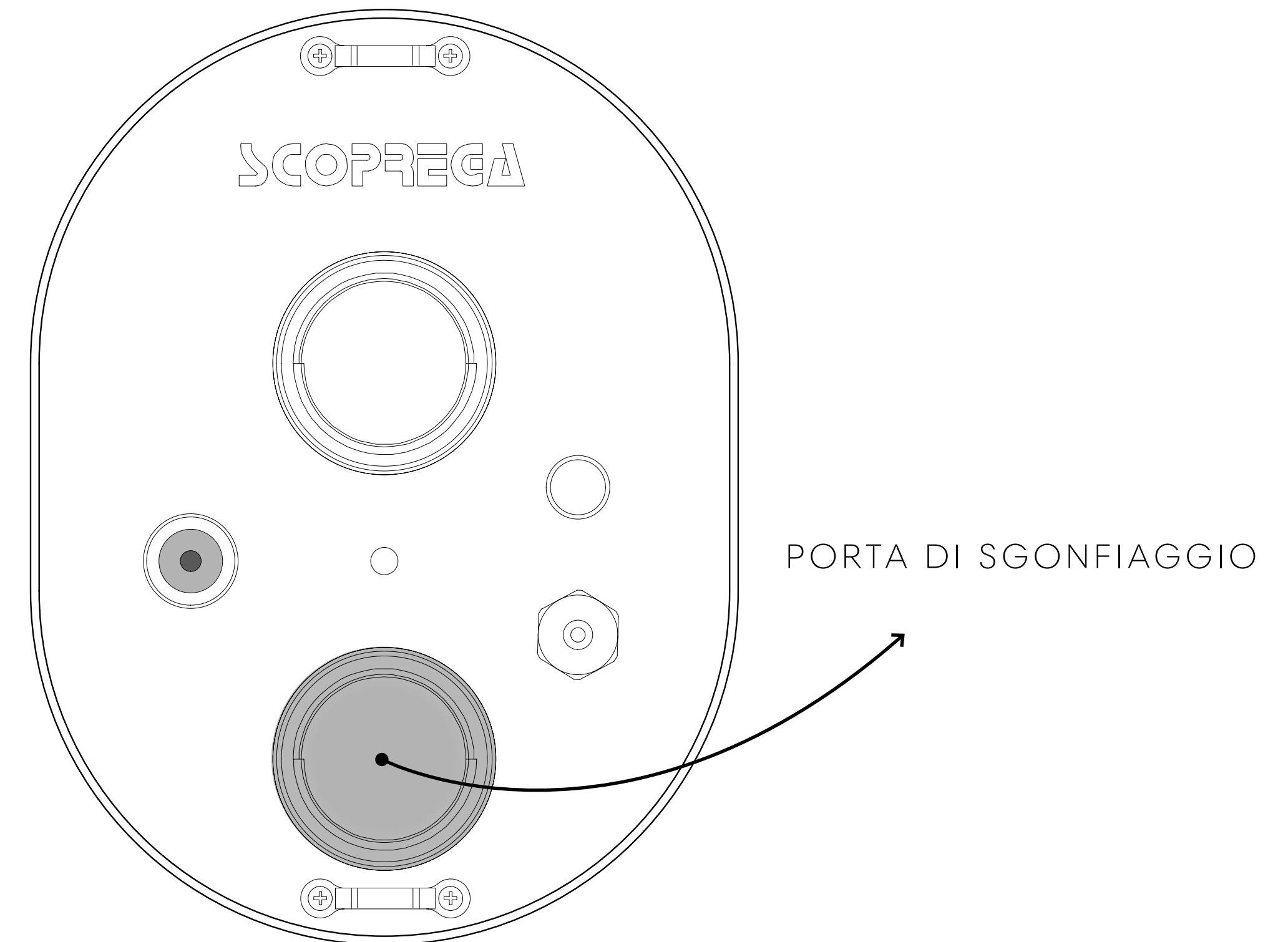
Make sure there are no bottlenecks, obstructions or leaks in the air path. Then turn on the inflator by selecting ON on the power switch (Step 4, Fig. 1).

When deflation is complete, turn off the inflator by selecting OFF on the power switch (Step 4, Fig. 1).

NB: The inflator will not stop automatically.

NB: In case of overheating due to prolonged use, the inflator will automatically stop to prevent damage to its components.

NB: The inflator can be damaged due to sand, dust or water getting inside the inlet port. this will cause overheating and damage to internal components. if this happens, turn off the inflator immediately.



GENERAL SAFETY RULES

GE 900 AA+/40 230V: GE4S0005

1. ALWAYS CONSIDER THE WORKING ENVIRONMENT.

Do not expose the inflator to rain. Do not use in the presence of flammable liquids or gases.

2. AVOID ACCIDENTAL START-UP.

Do not start the inflator with the inlet port in contact with dust or water.

3. PAY ATTENTION.

Pay attention to what you are doing. Use common sense.

4. CHECK FOR DAMAGED PARTS.

Before using the inflator, carefully inspect the outer walls and components.

5. DO NOT START portable inflators near flammable liquids or gas or explosive atmospheres. The motors of these inflators produce sparks that can release fumes.

6. BE CAREFUL NOT TO INHALE!

Compressed air from the inflator is not pure. Never inhale air from the inflator.

7. WARNING! DANGER OF BURSTING.

Only inflate the inflatable unit in accordance with the manufacturer's recommendations. Excessive pressure can cause the inflatable unit to explode, which may result in personal injury.

8. NEVER LEAVE THE DEVICE UNATTENDED.

Overinflation can cause serious injury and property damage.

9. WARNING! DANGER OF UNSAFE OPERATION

Do not modify or attempt to repair the unit. Do not puncture or make modifications to the inflator or its accessories. Any modification to the product will invalidate the warranty.

10. NEVER CARRY THE INFLATOR BY THE HOSE OR POWER CORD.

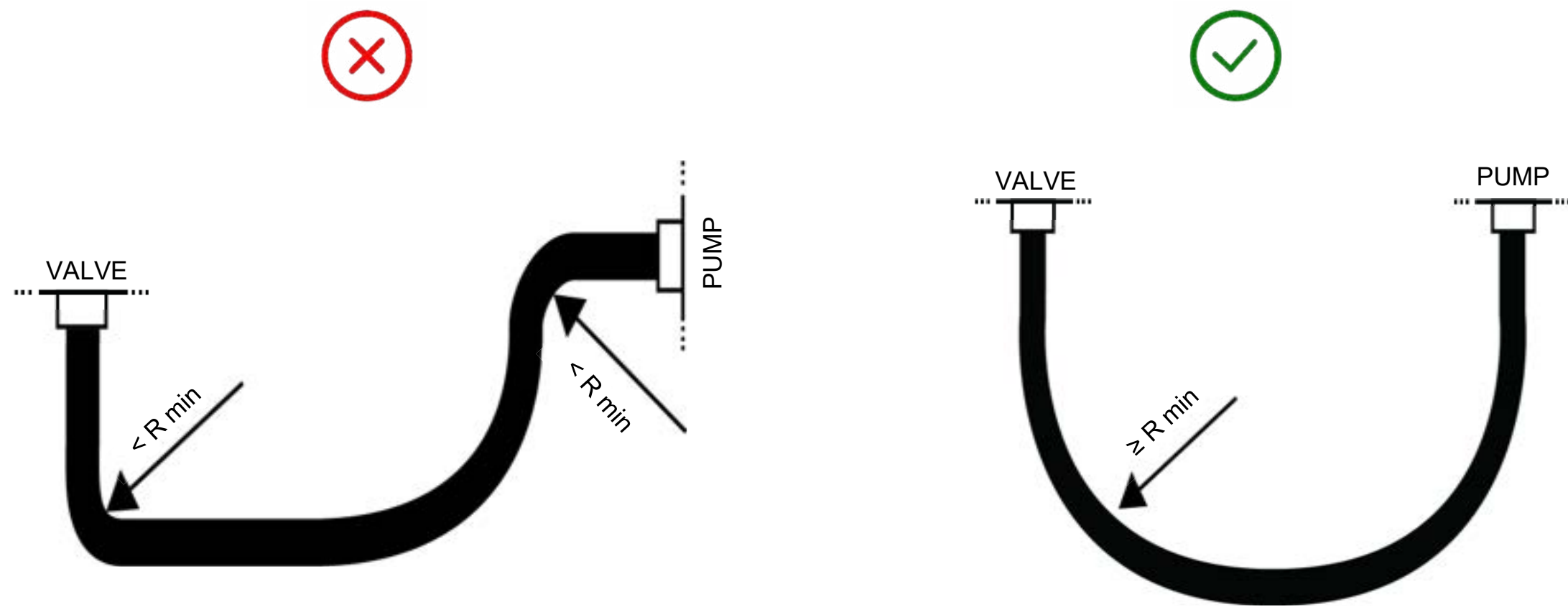
GENERAL SAFETY RULES

08

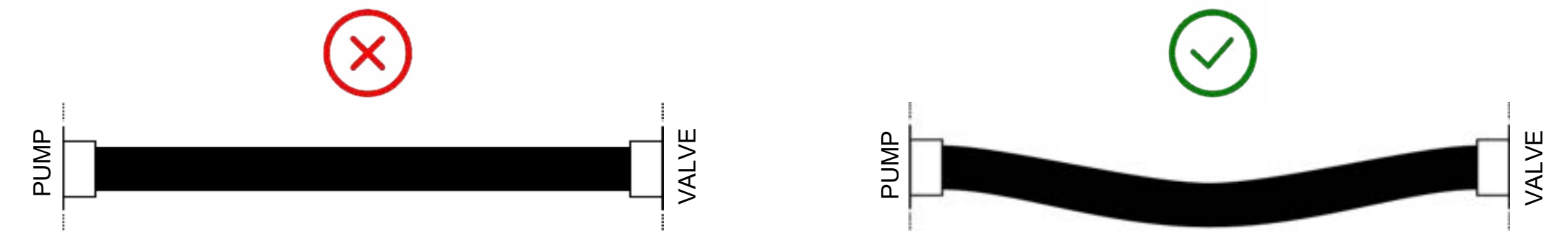
GE 900 AA+/40 230V: GE4S0005

HOSE INSTALLATION:

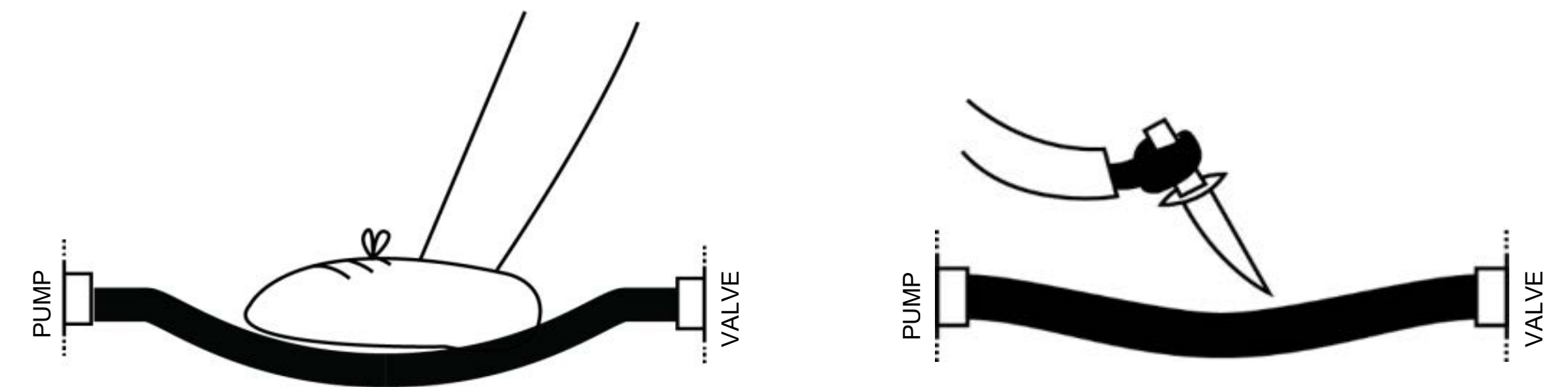
When installing a hose, it is important to follow certain rules. This is to achieve the best performance and avoid damage that could compromise the life of the hose.



N.B. The minimum bending radius is 40 mm / 1.57 inch. Installations below the minimum bend radius or excessive bending in the area of the fittings may break the hose.



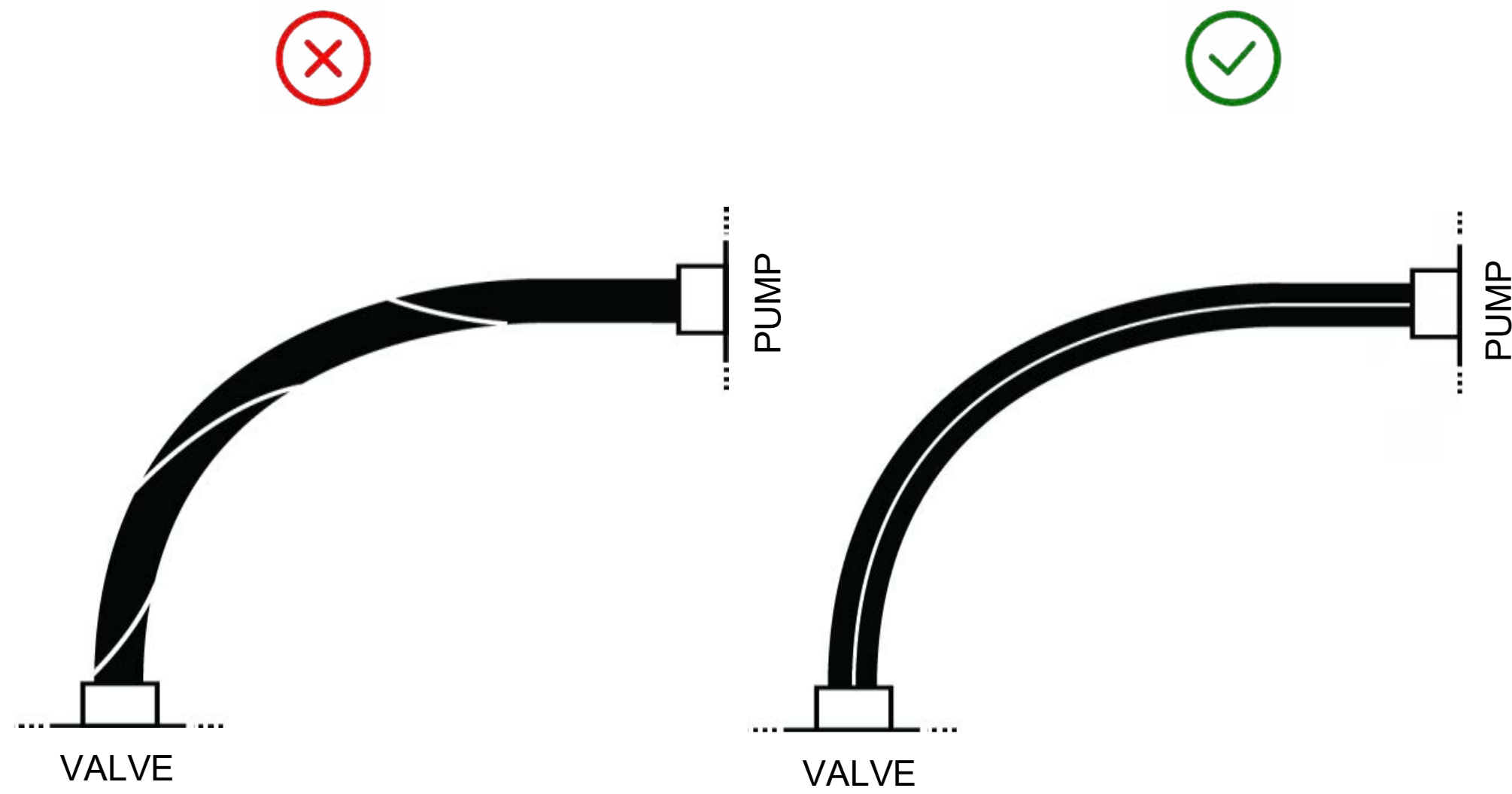
N.B. Assemble the hose so as to withstand length variations due to working pressure, pump movements and related tolerances. Avoid live assemblies.



N.B. Avoid abrasions, bumps and cuts along the entire length of the hose during installation and use.

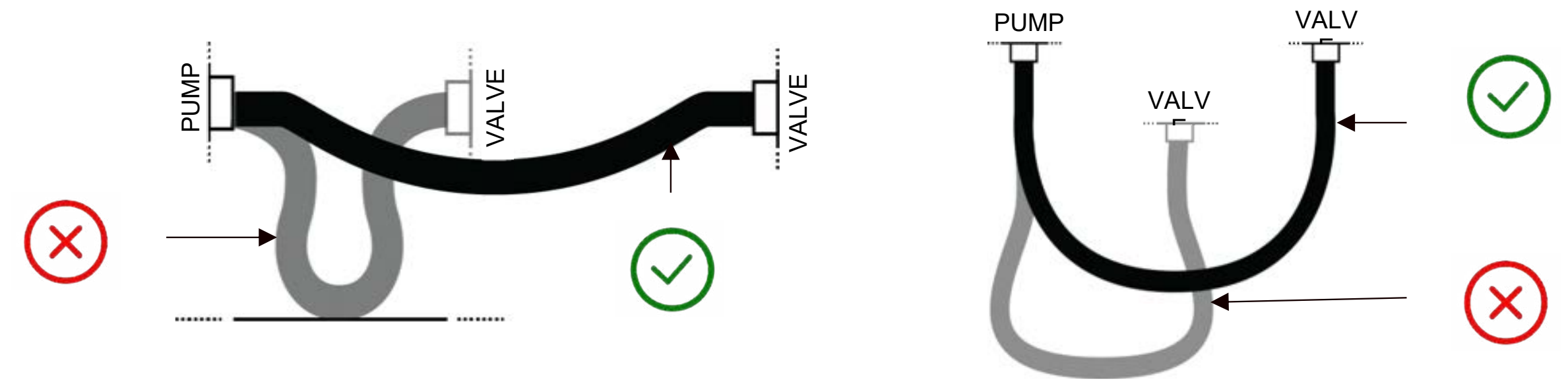
08 GENERAL SAFETY RULES

GE 900 AA+/40 230V: GE4S0005



N.B. The life of a hose in twisting is greatly reduced.

To avoid twisting during installation and use, check that the spiral always follows a linear course.



N.B. The length of the hose should be such as to accommodate the motion and should not go below the minimum bending radius.

The hose allows relative movements between two connected sources. Avoid abrasion, tension and twisting during installation and use.

TROUBLESHOOTING

GE 900 AA+/40 230V: GE4S0005

PROBLEM	CAUSE	SOLUTION
The inflator does not start	Power supply not connected	Connect the power supply
	the ON button was not pressed	Pressed the ON button
	The inflator is damaged	Contact the SCOPREGA service
PROBLEM	CAUSE	SOLUTION
The inflator does not inflate/deflate	Power supply not connected	Connect the power supply
	Incorrect connection of the hose	Connect the hose to the correct port.
	Incorrect setting pressure	Change pressure setting
	High temperature of the motor	Wait for it to temperature to drop



A10 ACCESSORIES

GE 900 AA+/40 230V: GE4S0005

Various accessories can be found inside the box including:



Shoulder strap



Ø 40 mm hose



SCOPREGA S.P.A.

Via L. Da Vinci 63 - - Cassano d'Adda (Milan) Italy 20062

Phone: + 39 036364240

Fax +39 0363 64171

info@scoprega.it

www.scoprega.it