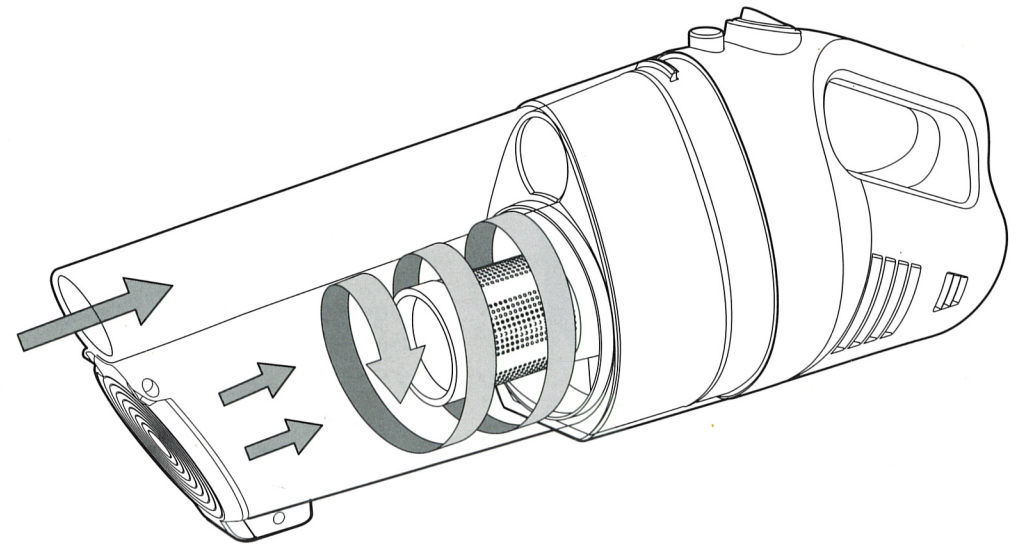


EC20 Vacuum Cleaner

User manual



Please read this booklet thoroughly before operating the vacuum.

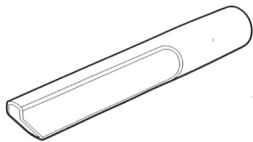
Thank you for purchasing EC20 Pro-Cyclone™ System vacuum cleaner. This user manual will walk you through the operational instructions, safety precautions and any other important information that you will need to know.

Included Accessories

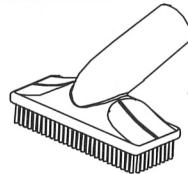
Crevice Flexible Pipe
SRG2301R



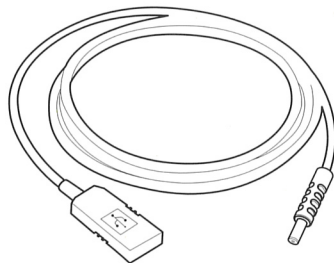
Crevice Suction Tool
SJZ2301



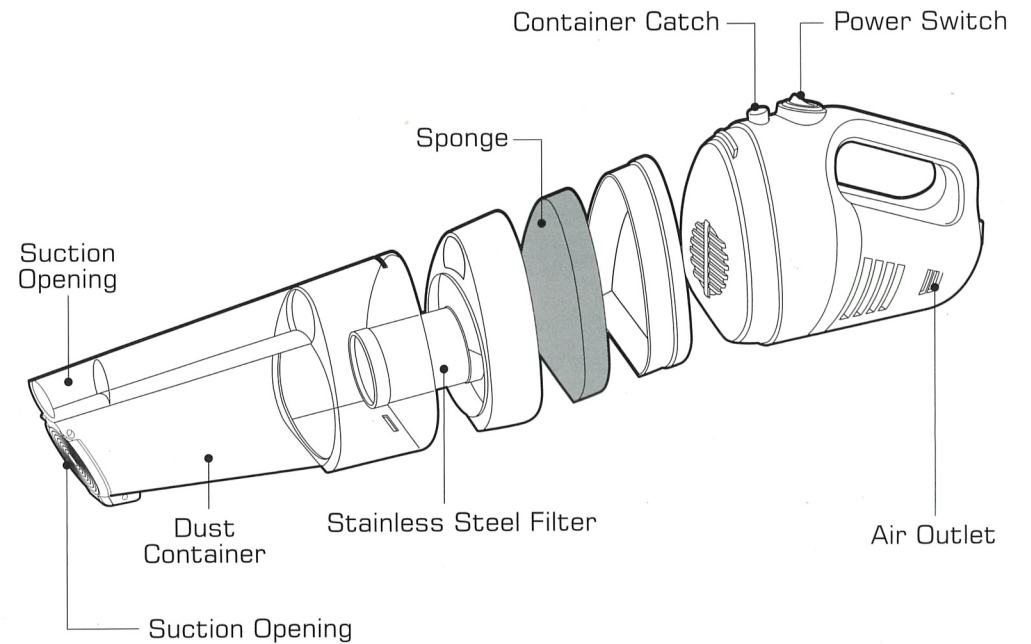
Square Brush
SMS2302



USB
Wire





Product View

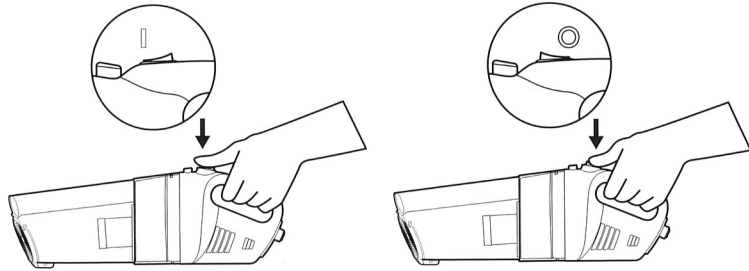


Specifications

Vacuum Cleaner
Model: EC20
Voltage: DC11.1V
Max Power: 100W
Max Vacuum Degree: 6.5kPa
Lithium Ion Battery: 2000mAh

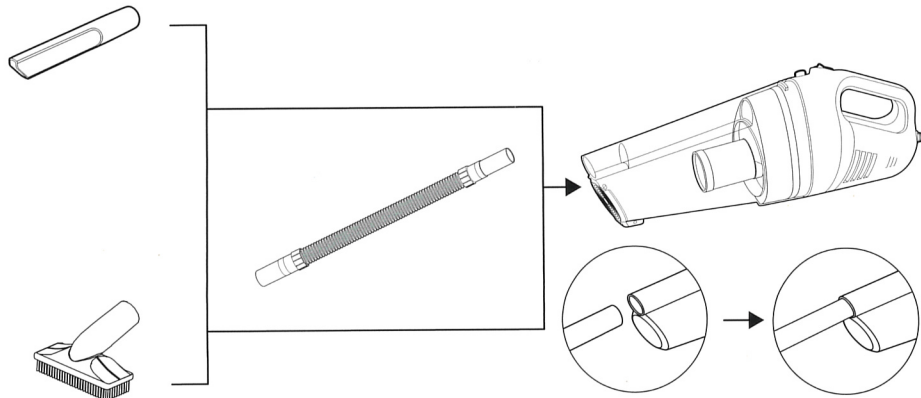
Basic Operation

Attach the appropriate tools to the appliance, then press  to switch it on, press  to switch off.



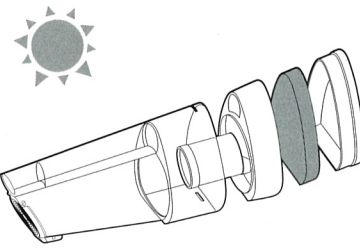
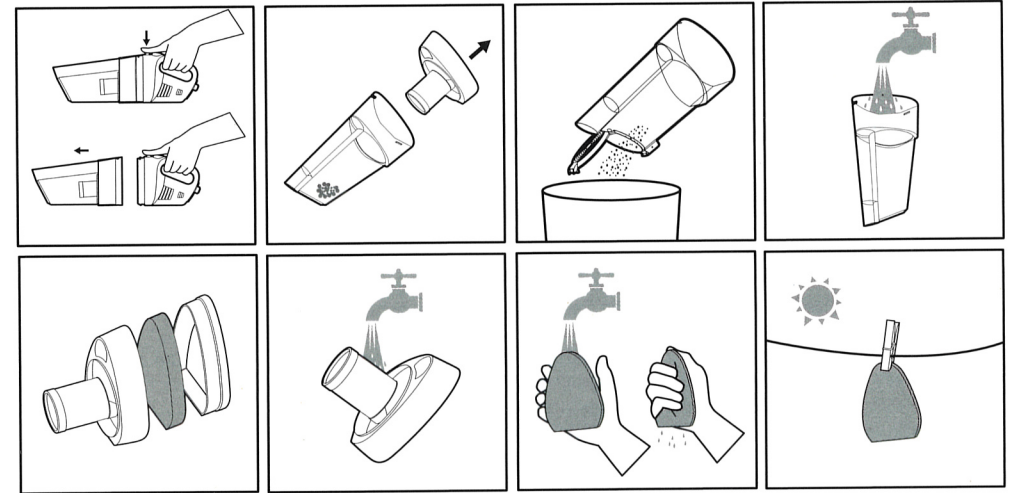
Please make sure the appliance is switched off before changing accessories or clearing dirt.

Cleaning Tools Assembly



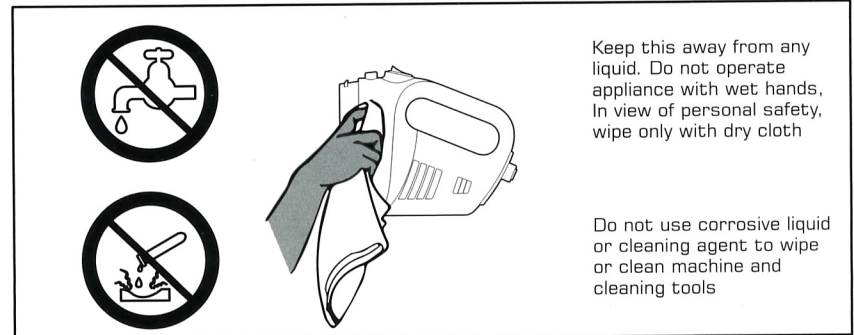
Cleaning Up

Please make sure the appliance is switched off and unplugged before cleaning up.



Dry thoroughly before use.
(Odour may occur if used with dampened filter)

Cleaning tools can be wiped and cleaned by wet cloth but no immersing in water as it may cause damage. Cleaning tools must be completely dry before putting into operation.



Keep this away from any liquid. Do not operate appliance with wet hands. In view of personal safety, wipe only with dry cloth

Do not use corrosive liquid or cleaning agent to wipe or clean machine and cleaning tools

WARNING

IMPORTANT: READ CAREFULLY BEFORE ASSEMBLY AND USE. THE PRODUCT IS INTENDED FOR HOUSEHOLD USE ONLY. IF USED COMMERCIALY WARRANTY IS VOID.

IMPORTANT SAFETY INSTRUCTIONS

When using an electrical appliance, basic precautions should always be followed, including the following:

READ ALL INSTRUCTIONS BEFORE USING THIS APPLIANCE.

WARNING: TO REDUCE THE RISK OF FIRE, ELECTRIC SHOCK OR INJURY:

- Fully assemble before operating.
- Operate cleaner only at electrical data specified on data plate on the back of cleaner.
- Do not use on wet surfaces. Do not expose to rain. Store indoors.
- This appliance is not intended for use by persons (including children) who is physically, sensory or mentally challenged, or lack of experience and knowledge, unless they have been given supervision or instruction concerning use of the appliance by a person responsible for their safety.
- This appliance is not designed for children. Do not allow to be used as a toy. Close supervision is necessary when used near children. To avoid injury or damage, keep children away from product, and do not allow children to place fingers or other objects into any openings.
- Use only as described in this manual. Use only manufacturer's recommended attachments and products.
- Do not use with damaged cord or plug. If appliance is not working as it should, has been dropped, damaged, left outdoors, or dropped into water, take it to a service center prior using.
- Repairs to electrical appliances should only be performed by a qualified electrician. Improper repairs may place the user at serious risk.
- Do not pull or carry by cord, use cord as a handle, close a door on cord, or pull cord around sharp edges or corners. Keep cord away from heated surfaces.
- Do not unplug by pulling on cord. To unplug, grasp the plug, not the cord.
- Do not leave appliance when plugged in. Unplug from outlet when not in use and before cleaning or servicing.
- Do not handle plug or appliance with wet hands.
- Do not put any objects into openings. Do not use with any openings blocked; keep free of dust, lint, hair, and anything that may reduce air flow.
- Keep hair, loose clothing, fingers and all parts of body away from openings and moving parts.
- Turn off all controls before unplugging.
- Use extra care when cleaning on stairs.
- Do not use to pick up flammable or combustible liquids, such as gasoline, or fine wood dust or in areas where they may be present.
- Do not pick up anything that is burning or smoking, such as cigarettes, matches, or hot ashes.
- Do not use without filters and/or dust canister in place.
- The dust filter must be cleaned periodically.
- If the supplied cord is damaged, it must be replaced by the manufacturer, its service agent or similarly qualified persons in order to avoid a hazard.
- The cord could be electrically live.
- Do not use to suck up water and any other liquid.
- Do not immerse in water when cleaning.
- The cord should be checked regularly and must not be used if damaged.
- Do not use outdoors.

WASH HANDS AFTER USING

CAUTION: TO REDUCE THE RISK OF DAMAGE:

- Avoid picking up hard, sharp objects with this product, as they may cause damage.
- Store appropriately indoors in a dry place. Do not expose machine to freezing temperatures.
- Put the product away after use to prevent tripping accidents.
- When cleaning the car, vehicle should be located in a garage.

SAVE THESE INSTRUCTIONS

Notice

A THERMAL PROTECTOR HAS BEEN DESIGNED INTO YOUR CLEANER TO PROTECT IT FROM OVERHEATING. WHEN THE THERMAL PROTECTOR ACTIVATES THE CLEANER WILL STOP RUNNING.

If this happens proceed as follows:

1. Turn cleaner OFF and unplug it from the electrical outlet.
2. Empty dust canister.
3. Check suction opening, dust canister inlet and filter. Clear any obstructions.
4. When cleaner is unplugged and motor cools for 30 minutes, the thermal protector will deactivate and cleaning may continue.

If the thermal protector continues to activate after following the above steps, your cleaner needs servicing.