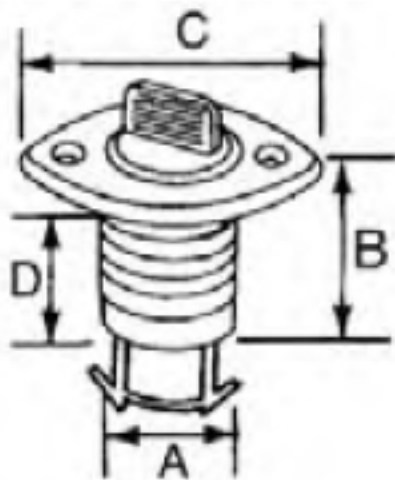


	$\varnothing A$	B	C	D
mm	25	25	53	20



Hullavstand, C/C: 37 mm

Diameter, innvendig: 19 mm