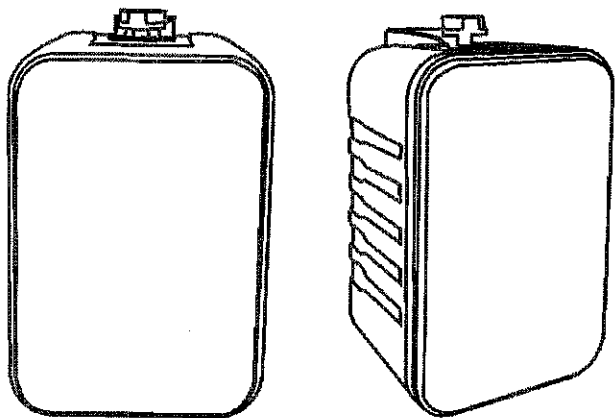


1013814

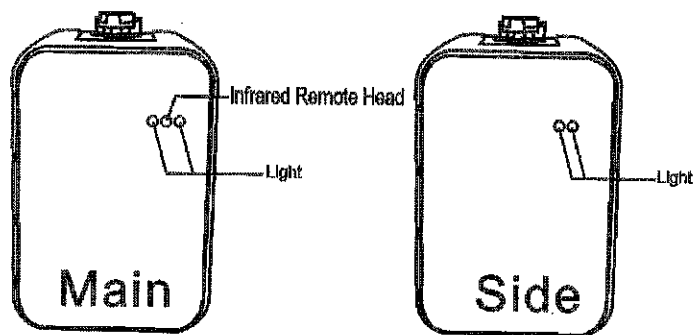
Wireless outdoor speakers



User's Manual

Please Read Carefully

.1.



Main/Side connections:

1. Please note the two speakers (Main/Side speaker) already set up in factory, paired by TWS automatically.
2. When you first time play the two speakers (Main/Side speaker), please check if they are connected well. The red light of Main/Side speakers should be on to show they have been connected to each other normally. If yes, you can pair your device with the speakers.
3. If not, please set up the speakers by TWS selector. The two speakers should be paired and worked as two channel speakers automatically.

How to pair your device:

1. Before you pair your device, please make sure Main/Side speakers have been connected to each other, then pair your device.
2. When you first time to play the speakers with your music source, the Main speaker will search the source automatically, you only need to find the speaker(Device ID: BT speaker) on your mobile phone and pair it.
3. The blue light of Main/Side speaker should be on to show it is working normally (the speaker and your device paired successfully).
4. Auto Bluetooth connection for previous paired devices.

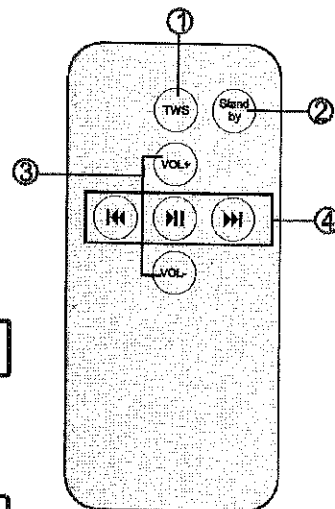
.2.

Please note the following:

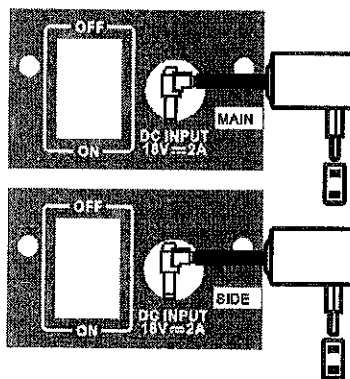
1. The remote control you use must be facing the Main speaker with Infrared Remote Head.
2. The red lights of Main/Side speakers are on, indicating that they have been connected to each other.
3. The blue light of Main speaker will blink before pairing with your device. Main speaker and your device are paired successfully, the blue light of Main speaker will always be on.

Remote Control System:

1. TWS selector (Pair up Main and Side)
2. Standby mode control selector
3. Master volume control selector
4. Bluetooth control area



Rear Panel:



.3.

Caution:

Please use the product according to the instructions of this manual. Improper use or modification of product may endanger your safety.

- To reduce the risk of fire or electric shock, do not expose this apparatus to rain or moisture.
- To prevent fire, do not cover the ventilation of the apparatus with newspapers, table-cloths, curtains and etc. Do not place objects filled with liquid, such as vases, on the apparatus.
- To prevent fire or shock hazard, do not place object filled with liquid, such as vases, on the apparatus.
- Do not install the appliance in a confined space, such as a bookcase or built-in cabinet.
- Install this system so that the power cord can be unplugged from the wall socket immediately in the event of trouble.
- Batteries or batteries installed apparatus shall not be exposed to heat such as sunlight or fire.

.4.