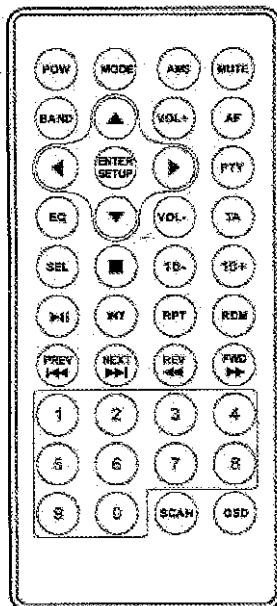
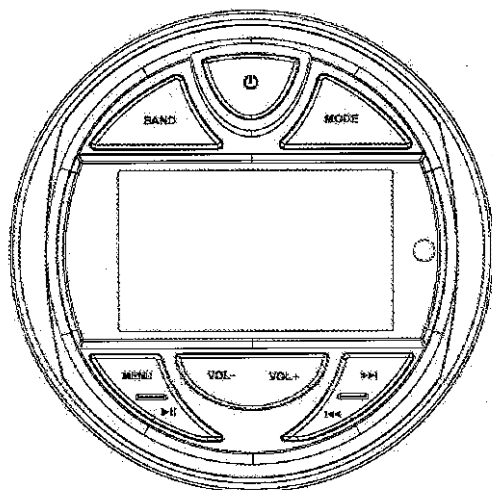


OWNER'S MANUAL

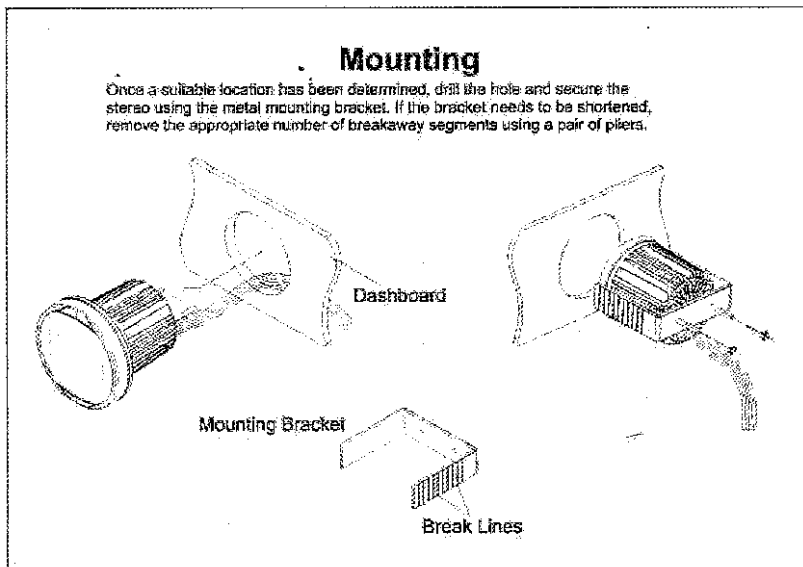
1013813



Please read the instruction carefully before operating the unit

Installation

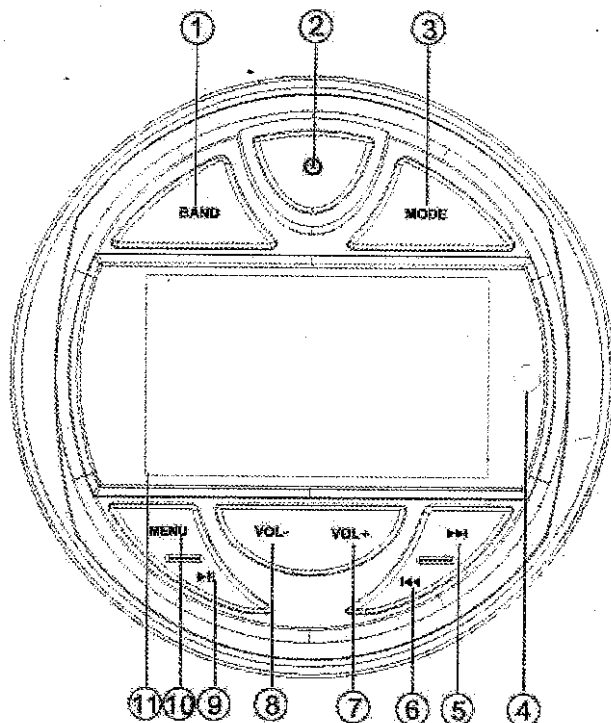
ATTENTIONS OF INSTALLATION



1. This player should be installed by professional technician.
2. please read the instruction and operation of equipment carefully before installing.
3. Make sure to connect other wires before power connection.
4. To avoid short circuit. Please make sure all the exposed wire are insulating.
5. please fix all the wires after installation.
6. please make connection to the player accordingly to this instruction manual. Wrong connection may cause damage.
7. This player only fit for 12V DC device and please make sure your car belongs to this kind of cathode grounding electrical system.
8. Please connect the wires rightly. Wrong connection will cause malfunction or damage the electrical system.

Location of keys



LOCATION OF KEYS



1. BAND
2. ⏻ Power
3. MODE
4. IR SENSOR
5. ⏮ Seek up button

6. ⏭ Seek down button
7. VOL +
8. VOL -
9. ⏯ Play/pause button
10. MENU
11. TFT


Key functions

Key functions					
KEYS	ACTION	RADIO/DAB	USB	AUX	BT
	Short	power on/Mute on/off	power on / Mute on/off	power on / Mute on/off	power on / Mute on/off
	Long	power off	power off	power off	power off
MODE	Short	source change	source change	source change	source change
	Long	BT off/link	BT off/link	BT off/link	BT off/link
BAND	Short	band change	Song search	/	/
	Long	FM: Auto store DAB:DAB Search	Video/Photo/Music change	/	/
	Short	Preset up	Play/Pause	/	Play/Pause
	Long	Manual save station	/	/	
MENU	Short	FM: AF/TAPTY DAB: TA/PPTY/S.S.*	AF/TA	AF/TA	AF/TA
	Long	BAS/TRE/BAL/FAD/EQ/ LOUD/BEEP/CLOCK/CL LK SET/ST/LOC	BAS/TRE/BAL/FAD /EQ/LOUD/BEEP/C LOCK/CLK SET	BAS/TRE/BAL/F AD/EQ/LOUD/BE EP/CLOCK/CLK SET	BAS/TRE/BAL /FAD/EQ/LOU D/BEEP/CLO CK/CLK SET
>>	Short	FM: Seek up DAB: Next station	next file	/	next file
	Long	FM:Manual turn up DAB: /	FF	Reset(5 seconds)	/
<<	Short	FM: Seek down DAB: Next station	previous file	/	previous file
	Long	FM:Manual turn down DAB: /	FR	Show software version	/
VOL-	Short	Volume down	Volume down	Volume down	Volume down
	Long	Volume down fast	Volume down fast	Volume down fast	Volume down fast
VOL+	Short	Volume up	Volume up	Volume up	Volume up
	Long	Volume up fast	Volume up fast	Volume up fast	Volume up fast

*: S.S.: Slide Show.

Operation

Turn on/off the unit

Press  button to turn on the unit. When the unit is on. Press and hold it for 2 seconds to turn off the unit.

Mute on/off

When the unit is on. Press  button to mute the sound. Press it again to resume the sound.


Settings

In settings menu, You can setting below items:

BASS/TREBLE/BALANCE/EQ/LOUD/BEEP/CLOCK(12/24)/CLK SET/DX(LOCAL)/STEREO(MONO)

In each item press **VOL+/-** button to set them.

Reset the unit

In AUX mode press and hold  button for 5 seconds to reset the unit. It is activated for the following reasons:



- a) Some buttons do not operate.
- b) Error symbol shows on the display.

Note: if the **RESET** function is activated, All the memory will be lost.

Radio Operation

Receive a radio station


Press **MODE** button to select radio mode. Then press **BAND** button to select desired band.

Shortly press  button to receive the desired radio station. Press and hold  button for manual tuning the frequency.


Auto Store:

Press **BAND** button for 2 seconds to auto store stations to band 1~3.

Manually store station & recall preset station

Receiving a desired station. Press and hold the  button. It shows "SAVE CH1". Press **VOL+/-** button to select channel then press **MENU** button. The station will be saved.

Listening to the preset station.

Pressing the  button to scroll through the presets.

RDS operation

Alternative Frequency (AF)

In **AF** item (press menu button) .You can setting the **AF** to on/off.

AF on: Symbol "**AF**" appears on the display. Program name is displayed on receiving a RDS station. "**AF**" symbol starts blinking if the broadcasting signal getting worse. It will start to search the stronger station which in AF list and switch to the good station. If it doesn't find a stronger station in AF list. It will active the PI SEEK mode to search station which as same PI.

Operation

AF off: switch off the AF mode.

Traffic Announcement (TA)

In **TA** item (press menu button) . You can setting the **TA** to on/off.

TA on: When received a TA station it will switch temporarily to radio mode to listen to the TA station whatever in RADIO/USB/AUX/BT mode. If the volume level was under the TA volume it will be raised to the TA volume automatically.

TA stop (TA interruption function):

It allow you temporarily back to previous mode till next TA station was received.

TA off: Turn off the TA function.

PTY operation

In **PTY** item (press menu button) . Press VOL+/-button to select the PTY kinds. When shown the PTY kind you want. Press **MENU** knob to search.

DAB Operation

Press **MODE** button switch to DAB mode.

Band selection

press **BAND** button shortly to select DAB1-> DAB2 -> DAB3.

Search DAB stations

In first time switch to DAB mode. It will search DAB stations automatically. Press and hold **BAND** button it will search DAB stations again.

Selecting station

Press **▶/◀** button to select up/down station.

Manually store station and recall preset station

Press **▶/◀** button to select a desired station. Then press and hold **▶|◀** button for 2 seconds. "SAVE CH1". Press VOL+/- button to select channel then press **MENU** button. The station will be saved. Shortly press the **▶|◀** button to to scroll through the presets.

USB Operation

When an USB driver inserted to the unit, the unit will play the MP3/WMA file automatically. If an USB drive is already inserted in the unit. Keep pressing **MODE** button shortly until the USB mode display appears.

Select file

Press **▶|◀** / **◀◀** button to skip to next/previous file. Hold **▶▶/◀◀** button to fast forward or fast reverse.

Play/Pause

Press **▶|◀** button to pause/playing the file.

INT function

Press **INT** button (on remote) to play the first 10 seconds each file. Press it again to cancel this function.

Operation

RPT function

Press **RPT** button (on remote) to select repeat mode: RPT ONE / RPT ALL (default).

Random function

Press **RDM** button (on remote), all files will be played randomly. Press it again to cancel this function

Search song

Press **BAND** button. It will list all the songs on the display. Using VOL+/-button or cursor (on remote) to select the desired song then press MENU (or ENTER) button to play.

Video/Photo/Music playing change

When there are video/photo/music files in the USB. Press and hold **BAND** button to change video/photo/music playing.

AUX IN operation

Connecting the signal to the R/L IN connector behind the unit. Then pressing **MODE** button to switch to AUX IN mode.

Bluetooth Operation Pairing

On mobile phone, select the Bluetooth item searching the Bluetooth device. "CAR KIT" should appear in the list, select "CAR KIT" and then input password "0000" if it needs a password. When successful paired, the BT mark will be shown on the display.

Bluetooth Audio

Press **MODE** button to switch to BT mode. It will play a song of your mobile phone automatically. Press **PAUSE** key to pause/play the song. Press **▶▶/◀◀** button to select next/previous song.

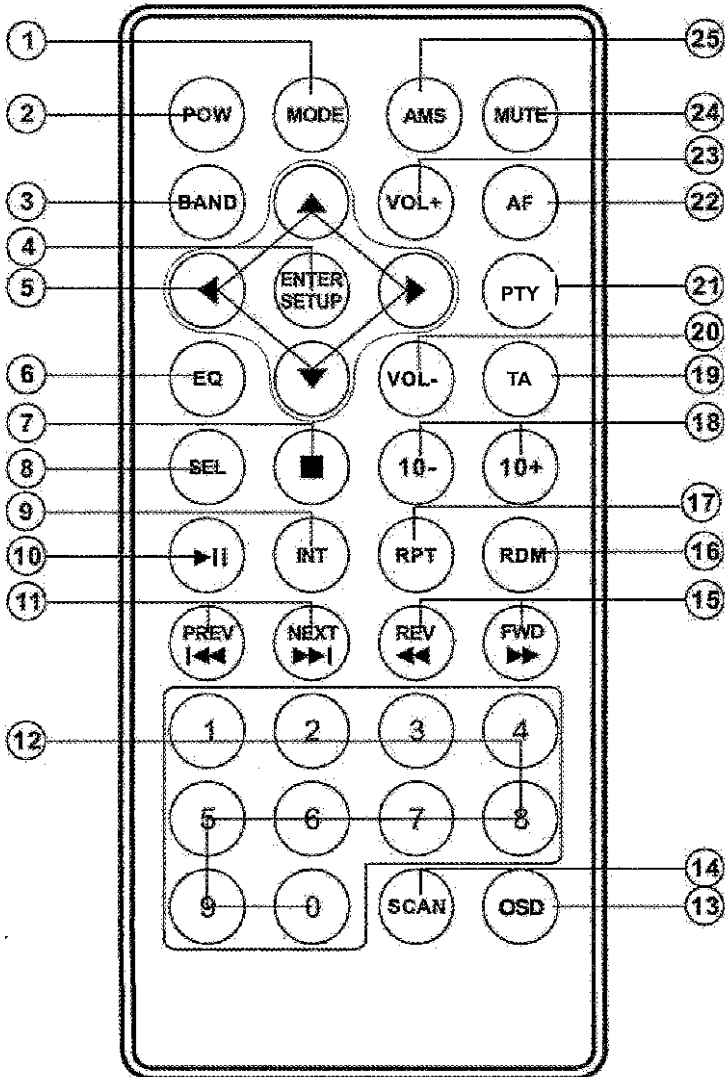
Disconnect the Bluetooth

When the mobile phone paired with the unit. If you want to disconnect the Bluetooth. Press and hold **MODE** button for 2 seconds to disconnect/re-connect the Bluetooth.

Other operation please reference the Key functions table above.


Remote control

Remote control



Remote control

Key functions

KEYS	ACTION	RADIO/DAB	USB	AUX	BT
	Short	Power on/off	Power on/off	Power on/off	Power on/off
	Long	/	/	/	/
MODE	Short	source change	source change	source change	source change
	Long	BT off/link	BT off/link	BT off/link	BT off/link
AMS	Short	FM:Preset Scan DAB:DAB Search	Song search	/	/
	Long	Auto Store	/	/	/
MUTE	Short	Mute on/off	Mute on/off	Mute on/off	Mute on/off
	Long	/	/	/	/
BAND	Short	Band change	/	/	/
	Long	FM: Auto Store DAB :DAB search	Video/Photo/Music change	/	/
VOL+	Short	Volume up	Volume up	Volume up	Volume up
	Long	Volume up fast	Volume up fast	Volume up fast	Volume up fast
VOL-	Short	Volume down	Volume down	Volume down	Volume down
	Long	Volume down fast	Volume down fast	Volume down fast	Volume down fast
^	Short	Cursor up	Cursor up	/	/
	Long	/	/	/	/
v	Short	Cursor down	Cursor down	/	/
	Long	/	/	/	/
<	Short	Cursor left	Cursor left	/	/
	Long	/	/	/	/
>	Short	Cursor right	Cursor right	/	/
	Long	/	/	/	/
ENTER SETUP	Short	Confirm	Confirm	/	/
	Long	Previous folder	Previous folder	/	Previous folder
AF	Short	FM: AF on/off DAB: Slide Show on/off	AF on/off	AF on/off	AF on/off
	Long	/	/	/	/
TA	Short	FM: TA on/off DAB: DAB TA on/off	TA on/off	TA on/off	TA on/off
	Long	/	/	/	/
PTY	Short	PTY Select	/	/	/
	Long	/	/	/	/
EQ	Short	EQ change	EQ change	EQ change	EQ change
	Long	LOUD on/off	LOUD on/off	LOUD on/off	LOUD on/off

Remote control

SEL	Short	BAS/TRE/BAL/FAD /EQ/LOUD/BEEP/C LOCK/CLK SET/ST/LOC	BAS/TRE/BAL/FAD/ EQ/LOUD/BEEP/CL OCK/CLK SET	BAS/TRE/BAL/FAD /EQ/LOUD/BEEP/C LOCK/CLK SET	BAS/TRE/BAL/FAD /EQ/LOUD/BEEP/C LOCK/CLK SET
	Long	/	/	/	/
□	Short	/	Stop	/	/
	Long	Main menu	Main menu	Main menu	Main menu
10-	Short	/	-10 skip	/	/
	Long	/	/	/	/
10+	Short	/	+10 skip	/	/
	Long	/	/	/	/
⏸	Short	/	Play/Pause	/	Play/Pause
	Long	/	/	/	/
INT	Short	/	INT on/off	/	/
	Long	/	/	/	/
RPT	Short	/	RPT on/off	/	/
	Long	/	/	/	/
RDM	Short	/	RDM on/off	/	/
	Long	/	/	/	/
◀◀	Short	FM: Seek down DAB: Previous station	Previous file	/	Previous file
	Long	FM: Manual Turn down DAB: /	/	/	/
▶▶	Short	FM: Seek up DAB: Next station	Next file	/	Next file
	Long	FM: Manual Turn up DAB: /	/	/	/
◀	Short	FM: Manual Turn down DAB: /	FR	/	/
	Long	/	/	/	/
▶	Short	FM: Manual Turn up DAB: /	FF	/	/
	Long	/	/	/	/
1	Short	Preset 1 recall	Search: digit 1	/	/
	Long	Save station to P1	/	/	/
2	Short	Preset 2 recall	Search: digit 2	/	/
	Long	Save station to P2	/	/	/

Remote control

3	Short	Preset 3 recall	Search: digit 3	/	/
	Long	Save station to P3	/	/	/
4	Short	Preset 4 recall	Search: digit 4	/	/
	Long	Save station to P4	/	/	/
5	Short	Preset 5 recall	Search: digit 5	/	/
	Long	Save station to P5	/	/	/
6	Short	Preset 6 recall	Search: digit 6	/	/
	Long	Save station to P6	/	/	/
7	Short	/	Search: digit 7	/	/
	Long	/	/	/	/
8	Short	/	Search: digit 8	/	/
	Long	/	/	/	/
9	Short	/	Search: digit 9	/	/
	Long	/	/	/	/
0	Short	/	Search: digit 0	/	/
	Long	/	/	/	/
SCAN	Short	Scan up	/	/	/
	Long	/	/	/	/
OSD	Short	/	Language Change	/	/
	Long	/	/	/	/

Specification

GENERAL

Power Supply Requirements : DC 12 Volts, Negative Ground

Chassis Dimensions : 100(W) x 100 (D) x 70(H)

Tone Controls

- Bass (at 100 Hz) : ± 10 dB

- Treble (at 10 kHz) : ± 10 dB

Maximum Output Power : 4 x 40 watts

Current Drain : 10 Ampere (max.)

RADIO

FM

Frequency Coverage 87.5 to 108 MHz

IF 10.7 MHz

Sensitivity $4\mu\text{V}(\text{S/N}=30\text{dB})$

Stereo Separation $>25\text{dB}$

DAB

Frequency Coverage 174.928~239.200 MHz

Sensitivity (S/N=20dB) $\geq -100\text{dBuV}$

Preset stations 18

Trouble shooting

TROUBLE SHOOTING

Before going through the checklist, check wiring connection. If any of the problems persist after checklist has been made, consult your nearest service dealer.

Symptom	Cause	Solution
No power.	The car ignition switch is not on.	If the power supply is connected to the car accessory circuits, but the engine is not moving, switch the ignition key to "ACC".
	The fuse is blown.	Replace the fuse.
No sound.	Volume is in minimum	Adjust volume to a desired level.
	Wiring is not properly connected.	Check wiring connection.
The operation keys do not work.	The built-in microcomputer is not operating properly due to noise.	Press the reset button.
The radio does not work. The radio station automatic selection does not work.	The antenna cable is not connected.	Insert the antenna cable firmly.
	The signals are too weak.	Select a station manually.