

ITEM FORM

Elettrogas Aravon

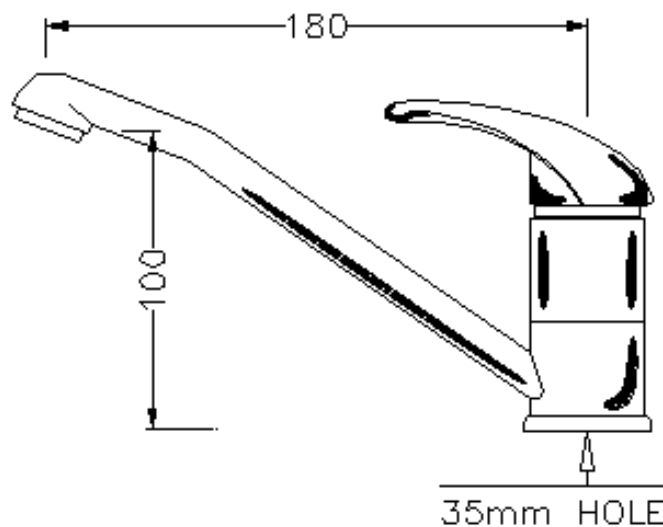
Via Italia 1 - 28010 Caltignaga (Novara) www.aravon.it info@aravon.it Tel +39 (0)321 652838 Fax +39(0)321 652800

EAN code
803389162

199

Article Name **34L Lux**

Describe Mixer (cold and hot water) in brass. Item specific for kitchen's sink.



NOTES FOR DISTRIBUTOR

Type Of Packing White carton-box
Pcs ForBOX 0,288mc 27
Materials Cromed brass.

Distributor's
CODE

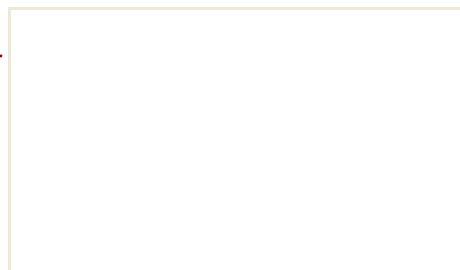
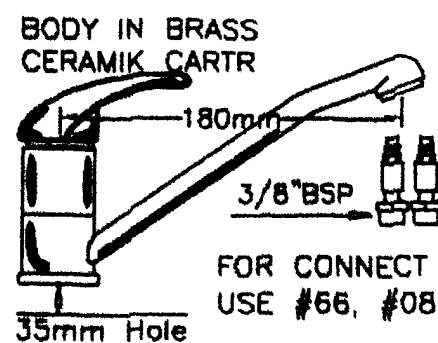


Photo Of Packages



Draw For Label



NOTES FOR SERVICE TECHNICIAN

Ingenier Notes High quality. Cheramix mechanism for open/closed the flow. Connection 3/8" male nominal BSP. For guarantee the high quality, we verify the dimension size on all parts and every single piece is tested in pression to guarantee the perfect functionally.

Spare Parts Cartridge Ean 523

Ean SimilarItems Ean 208, 209, 296, 298, 299, 106, 109, 132, 224

Installing draw

