

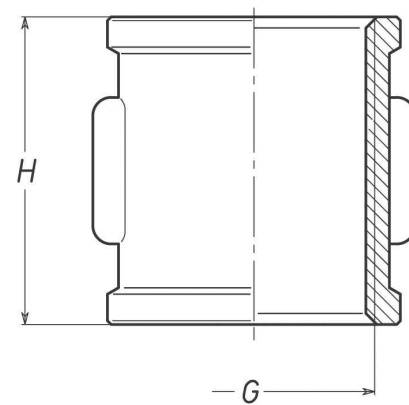
ART. 270



MANICOTTO FEMMINA - OTTONE

FILETTATURE:

G = ISO 228/1 (BS 2779)



Weight (gr)	20	25	40	63	83	140	200	250	395	540	1010	
H	22	27	30	32	35	43	47	52	64	63	71	
G	1/8"	1/4"	3/8"	1/2"	3/4"	1"	1 1/4"	1 1/2"	2"	2 1/2"	3"	4"