

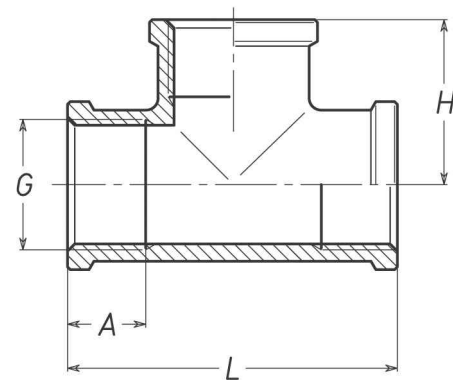
ART. 130



RACCORDO A "TE"- OTTONE

FILETTATURE:

G = ISO 228/1 (BS 2779)



Weight (gr)	45	60	100	110	180	260	390	580	870	1450	1850	3100	5500
L	39	42	47	49	60	70	85	96	115	140	149	184	223
H	19	21	24	25	30	35	43	48	57	69	75	90	112
A	10	11	12	13	15	18	19	22	24	24	25	29	33
G	1/8"	1/4"	3/8"	1/2"	3/4"	1"	1 1/4"	1 1/2"	2"	2 1/2"	3"	4"	5"