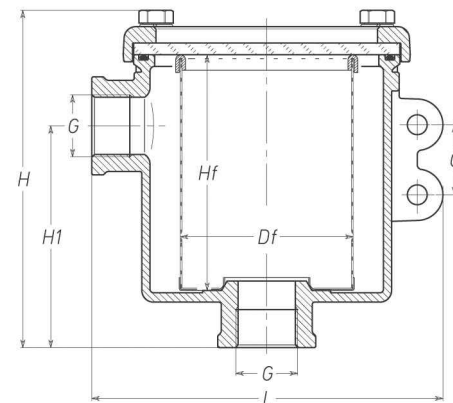


**WATER STRAINER "IONIO" PATTERN
NICKEL-PLATED BRONZE
POLYCARBONATE COVER**



THREAD:
G = ISO 228/1 (BS 2779)

- Nickel-plated bronze casing
- AISI 316L stainless steel inside filter
- Transparent polycarbonate cover
- Neoprene o-ring



Weight (gr)	2730	2600	4000	3800	5800	9000	9600	
C	30	30	40	40	50	60	80	
H	144	144	178	178	215	243	276	
H1	97	97	103	103	135	150	177	
L	151	151	180	180	213	252	255	
Hf	100	100	131	131	160	188	215	
Df	74	74	98	98	124	155	155	
G	3/4"	1"	1"1/4	1"1/2	2"	2"1/2	3"	4"



RINA

STATEMENT
No. DIP/05701/CS

At the request of GUIDI S.r.l., Grignasco (NO), Via delle Acacie 2, the following tests have been performed on prototype filters for engine water cooling pipes named

" Art. 1160 - Art. 1161 - Art. 1162 - Art. 1164 - Art. 1290"

manufactured by the above-mentioned firm :

- ascertainment of the compliance of the main parts of the filters to the drawings submitted to RINA ;

- capacity and hydrostatic tests of the filter at a pressure of 0.49 N/mm²

- fire test to verify the resistance of the filters to the gasoline free combustion

Having notes the result of the ascertainment and tests carried out

IT IS STATED

that the above-mentioned filters, having the properties described below, are recognised as suitable for use on board pleasure boats only.

Constructive characteristics : body made of brass, filtering element made of stainless steel AISI 316 L cover made of transparent polycarbonate.

The present statement is valid until February 13, 2004.

The data of this statement will be included in the list of type-approved products by RINA for pleasure craft.

Issued at Genova

on February 13, 2001



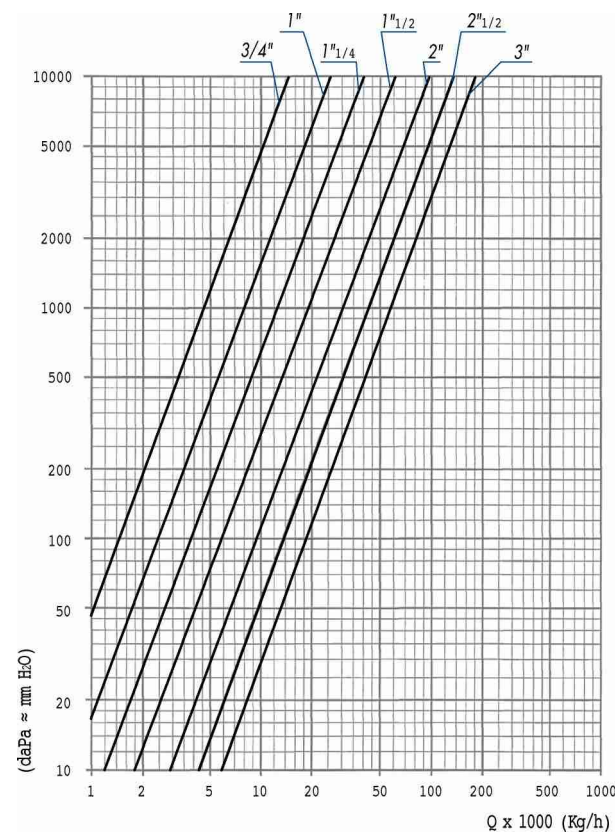
Giorgio Gallo

RINA

FLOW-RATE CAPACITY THROUGH THE CLEAN FILTER - lt/h

G Certificate 0.1 bar 1 bar N°

3/4"	2069/4	4650	14910
1"	2069/1	7950	25489
1"1/4	2069/5	12500	40079
1"1/2	2069/2	19100	61239
2"	2069/3	30000	96188
2"1/2	6061/1	42600	134000
3"	6061/2	58400	184000



CERTIFICATE
RINA DIP