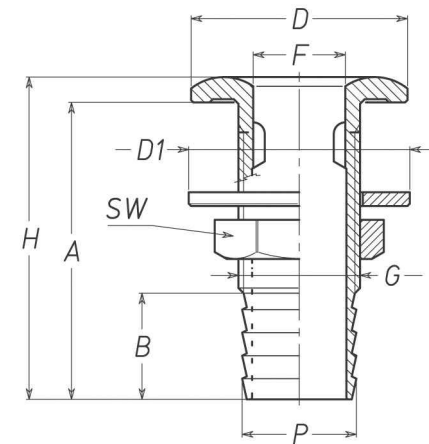




**THROUGH HULL OUTLET
WITH HOSE CONNECTION
CHROMIUM-PLATED BRASS**

THREAD:

G = ISO 228/1 (BS 2779)



Weight (gr)	80	110	190	320	435	620	950	1860	2300	4000
SW	23	26	32	38	49	56	68	92	105	132
H	57	65	70	85	86	96	107	130	158	209
A	53	60	65	80	80	90	100	122	150	200
F	12	15	20	25	33	39	50	63	76	100
D1	33	38	48	55	64	72	88	112	124	150
D	34	37	47	55	64	72	85	110	122	150
B	18	22	22	27	27	27	33	38	48	60
P	15	18	24	30	39	45	57	72	82	110
G	3/8"	1/2"	3/4"	1"	1"1/4	1"1/2	2"	2"1/2	3"	4"