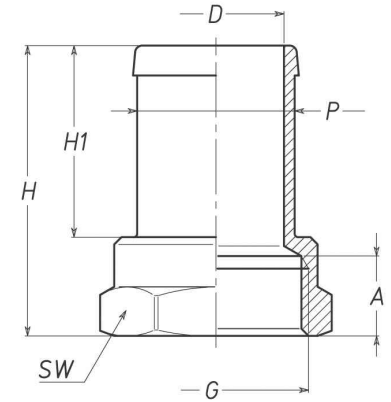


ART. 1025

PORTAGOMMA FEMMINA TIPO "EXPORT" - OTTONE

FILETTATURE:

G = ISO 228/1 (BS 2779)



Weight (gr)	35	42	35	47	48	62	65	65	70	80	95	135
SW	17	20	20	20	25	25	25	30	30	30	30	38
H1	45	43	43	45	43	43	43	42	42	42	42	42
H	59	49	57	60	58	58	58	58	58	58	60	64
D	9	12	9	12	9	12	15	9	12	15	21	21
A	11	11	12	12	11	11	11	12	12	12	12	17
P	12	16	12	16	12	16	19	12	16	19	25	25
G	1/4"	1/4"	3/8"	3/8"	1/2"	1/2"	1/2"	3/4"	3/4"	3/4"	3/4"	1"

Weight (gr)	120	150	180	175	290
SW	38	45	45	50	52
H1	45	41	43	42	50
H	63	59	63	61	75
D	28	27	33	33	43
A	15	15	16	15	18
P	32	32	38	38	50
G	1"	1"1/4	1"1/4	1"1/2	1"1/2