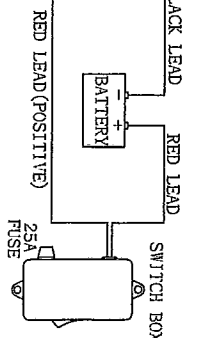
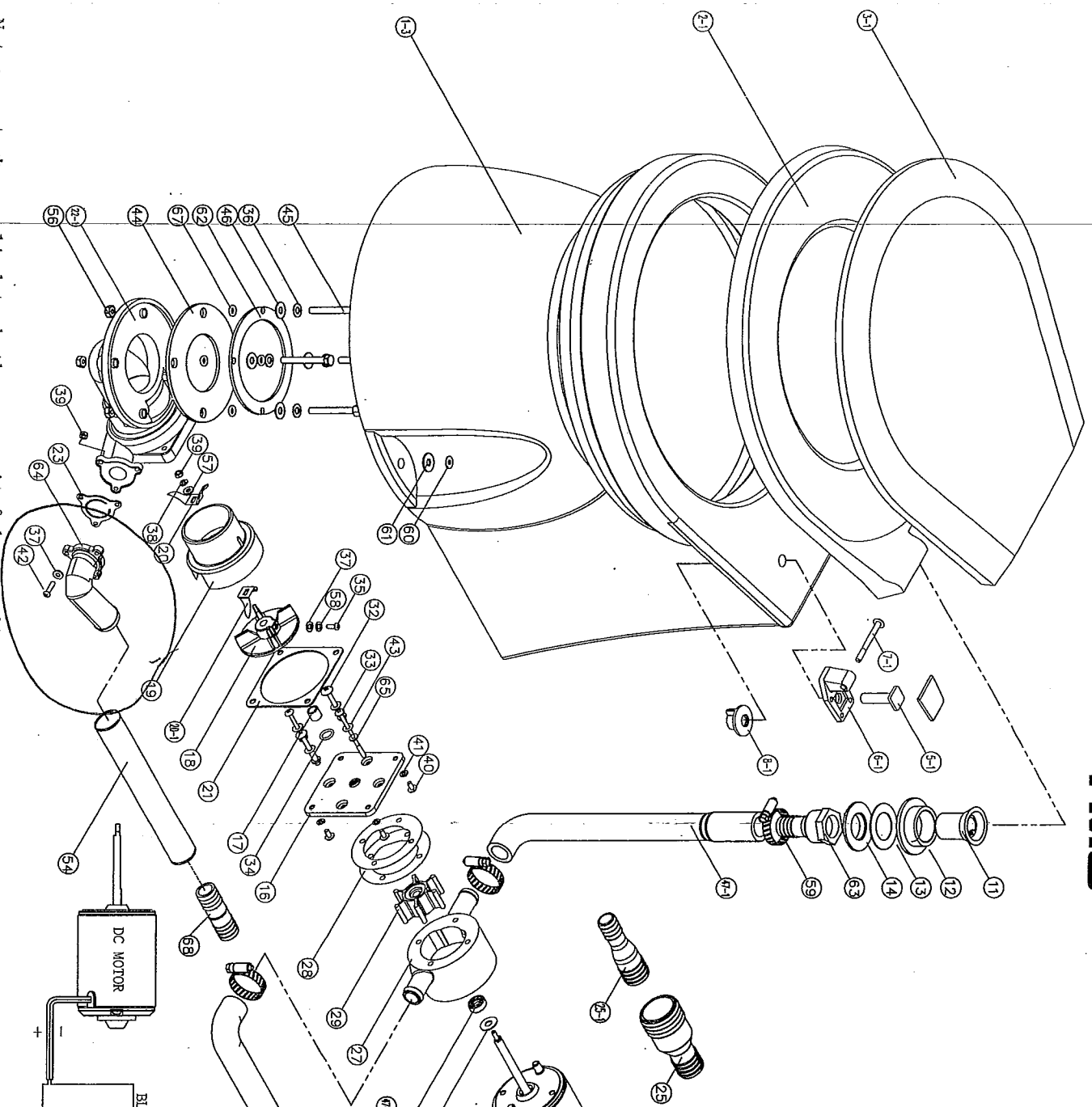


KEY	DESCRIPTION	Q'TY
55	Hexagon Nut	4
56	Flat Washer	1
57	Spring Washer	1
58	Cramp	4
59	Flat Washer	2
60	Anchor Plate	1
61	Pipe Joint	1
62	Rubber washer	1
63	Inner Pipe Joint	2
64	O Ring	4
65	Adaptor	1

KEY	DESCRIPTION	Q'TY
1-3	Closestool Body	1
2-1	Seat Cushion	1
3-1	Closestool Cover	1
4	Set bolt	2
5-1	Coupling+Cover	2
7-1	Union screw	2
8-1	Wing Nut	2
9		
10	Joint	1
11	Joint Packing	1
12	Flat Washer	1
13	Joint Nut	1
14	Wearplate	1
15	Sleeve Kit	1
16	Centrifugal Impeller	1
17	Macerator Housing	1
18	Razor Blade/Upper	1
19	Razor Blade/Lower	1
20-1	Gasket	1
21	Base	1
22-1	Flapper Valve	1
23	Adaptor	1
24	Adaptor	1
25-1	Slinger	1
26	Body	1
27	Gasket	1
28	Flexibic Impeller	1
29	Seal	1
30	Motor	1
31	Screw	2
32	Screw	2
33	O Ring	1
34	Set Screw	1
35	Flat Washer	1
36	Spring Washer	1
37	Hexagon Nut	1
38	Screw	1
39	Spring Washer	1
40	Screw	1
41	Flat Washer	1
42	Base Packing	1
43	Hexagon Bolt	1
44	Plastic Washer	1
45	Hose	2
46	Switch Box	1
47-1	Cover	1
48	Fuse & Fuse Holder	1
49	Switch	1
50	Gasket	1
51	Tapping Screw	4
52	Hose	1



Note: part * supplied to both pump unit & base unit.

批示: 審核: 製圖: