

**UC68-OBS
SIDE MOUNT
CYLINDER FOR
OUTBOARD
ENGINES UP
TO 150 HP
TOTAL**

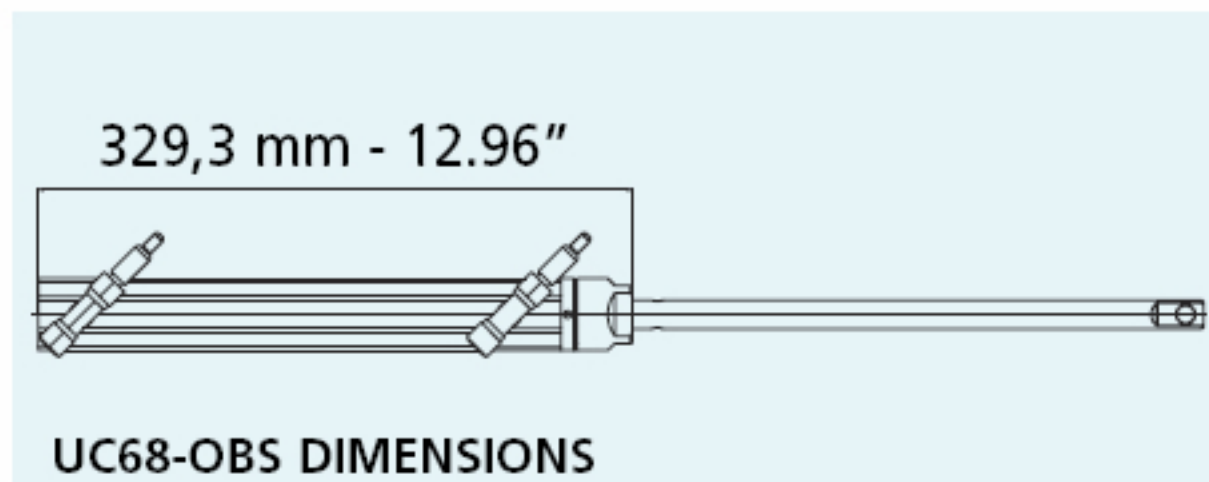


UC68-OBS - Unbalanced: the number of turns lock-to-lock is not equal port to starboard and vice-versa.

WARNING

Recommended for use where max boat speed do not exceed **40 mph (40 knots)**

SPECIFICATIONS	UC68-OBS - 39784 J
Volume	68/100 cc - 4.1/6.1 cu. in
Output force	185/270 kg - 408/595 lbs
Inside diameter	25 mm - 0.98"
Stroke	203 mm - 8"
3/8" (9.5mm) Fittings	For high pressure flex hose



UC68-OBS DIMENSIONS

UC68-OBS side mount cylinder features a turning nut for a fast and easy installation to the engine tube (PATENTED)

Clearance required at the engine tube side: 13.3" (340 mm)